

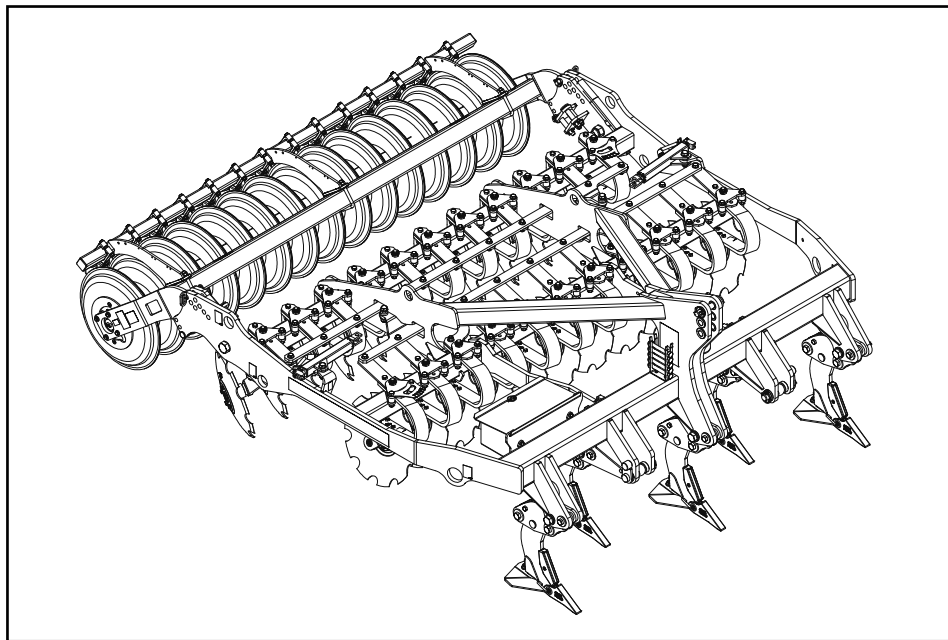
# Parts Manual

Simba DTX300 / DTX350

 **Great Plains**  
Manufacturing, Inc.  
[www.greatplainsmfg.co.uk](http://www.greatplainsmfg.co.uk)



*Read the operators manual entirely. When you see this symbol, the subsequent instructions and warnings are serious - follow without exception. Your life and the lives of others depend on it!*



*Illustrations may show optional equipment not supplied with standard unit.*

**Contents****General Assembly**

Chassis Assembly (Limited Disc Angle) ..... 6

Chassis Assembly (Variable Disc Angle) ..... 8

**Lights**

Lights - Front ..... 10

Lights - Rear ..... 12

**Discs**

Disc Arm Assembly (Single Hub) ..... 14

Disc Arm Assembly (Twin Hub) ..... 16

Disc Blades ..... 18

Disc Hub Configurations ..... 20

**Tines**

Tine &amp; Tine Pocket - Pro-Lift ..... 22

Tine &amp; Tine Pocket - LD ..... 24

**Rollers**

Scraper Rail Assembly ..... 26

DD600 Pillar ..... 28

DD600 Roll Assembly ..... 30

Roll Pillar (DDL600, HD, V, ML &amp; Aqueel Rollers) ..... 32

DDL600 Roll ..... 34

HD, V &amp; ML Rollers ..... 36

Aqueel II Roller ..... 38

**TurboJet**

OSR Platform Assembly (option) ..... 40

Following Harrow (option) ..... 42

**Contents (Alphabetical Order)**

Aqueel II Roller .....	38
Chassis Assembly (Limited Disc Angle) .....	6
Chassis Assembly (Variable Disc Angle) .....	8
DD600 Pillar .....	28
DD600 Roll Assembly .....	30
DDL600 Roll .....	34
Disc Arm Assembly (Single Hub).....	14
Disc Arm Assembly (Twin Hub) .....	16
Disc Blades.....	18
Disc Hub Configurations.....	20
Following Harrow (option).....	42
HD, V & ML Rollers .....	36
Lights - Front .....	10
Lights - Rear .....	12
OSR Platform Assembly (option).....	40
Roll Pillar (DDL600, HD, V, ML & Aqueel Rollers) .....	32
Scraper Rail Assembly .....	26
Tine & Tine Pocket - LD.....	24
Tine & Tine Pocket - Pro-Lift.....	22

### Using This Manual

This manual is divided into sections. The first section contains General Information, a Table of Contents and an Alphabetical Page Index. The remaining sections divide the machine into segments (i.e. Frames, Hydraulics, etc.) which illustrate and list all parts.

The Great Plains parts in this manual are specially designed for this machine and should be replaced with Great Plains parts only.

The information in this manual is current at printing. Some parts may change to assure top performance.

Right-hand and left-hand as used in this manual are determined by facing the direction the machine will travel while in use.

Below is an example of two facing pages from a parts manual. Familiarize yourself with the contents of these pages.

### Manual Replacement

Replacement manuals are available. Refer to your dealer for additional information.

### Manual Revisions

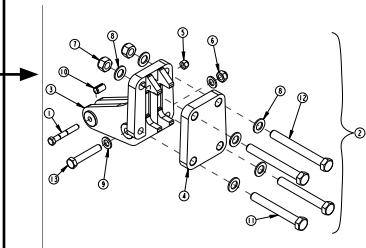
When this manual is revised, the modification date is printed on the front cover and on the revised page(s).

### Touch-up Paint

Repaint parts where paint is worn or scratched to prevent rust. Aerosol touch-up paint is available. To order use Great Plains parts numbers below:

- GP Green      821-001C
- GP Black     821-002C

**Illustration Title** → Tine Mount - Shear Bolt

**Illustration** → 

**Illustration Number** → 45007

**Machine** → Simba ST-Bar 606-037P

**Manual Part Number** → 10

**Page number** → 2013-08-21

**Parts List** →

Item	Part No.	Part Description	Comments
1	604-309D	HHCS M12X1.75X85 GR10.9 SPTHD	
2	606-038A	SHEAR BOLT UNIT CIVI C/PLATE	COMPLETE UNIT AS SHOWN
3	606-041H	TINE SHEAR CLAMP	
4	606-078D	PLATE 25MM	
5	803-281C	NUT HEX NYLOCK M12X1.75 FLT	
6	803-282C	NUT HEX M16X2.00 NYLON INSERT	
7	803-393C	NUT HEX NYLOCK M20X2.5	
8	804-244C	WASHER FLAT M20 FLT	
9	804-241C	WASHER FLAT M16 FLT	
10	827-143C	BUSH SPRUNG 4*16.5X20*13.5X26.15	
11	842-050C	HHCS M20X2.0X180 GR8.8	
12	842-051C	HHCS M20X2.0X180 GR8.8	
13	842-098C	HHCS M16X2X90 GR8.8 SPTHD	

2013-08-21      11      Simba ST-Bar 606-037P



## Hardware Legend

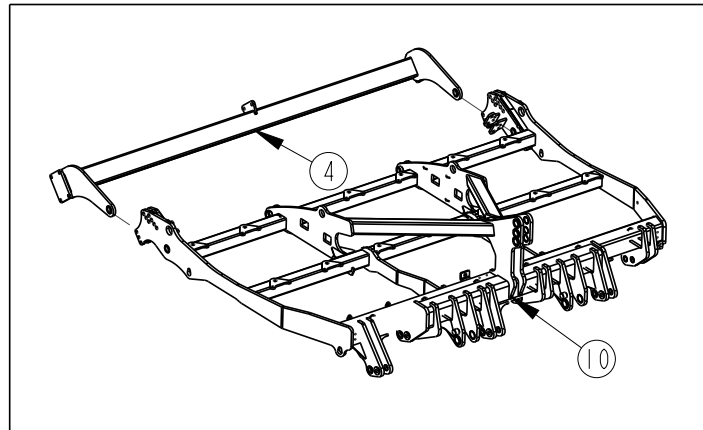
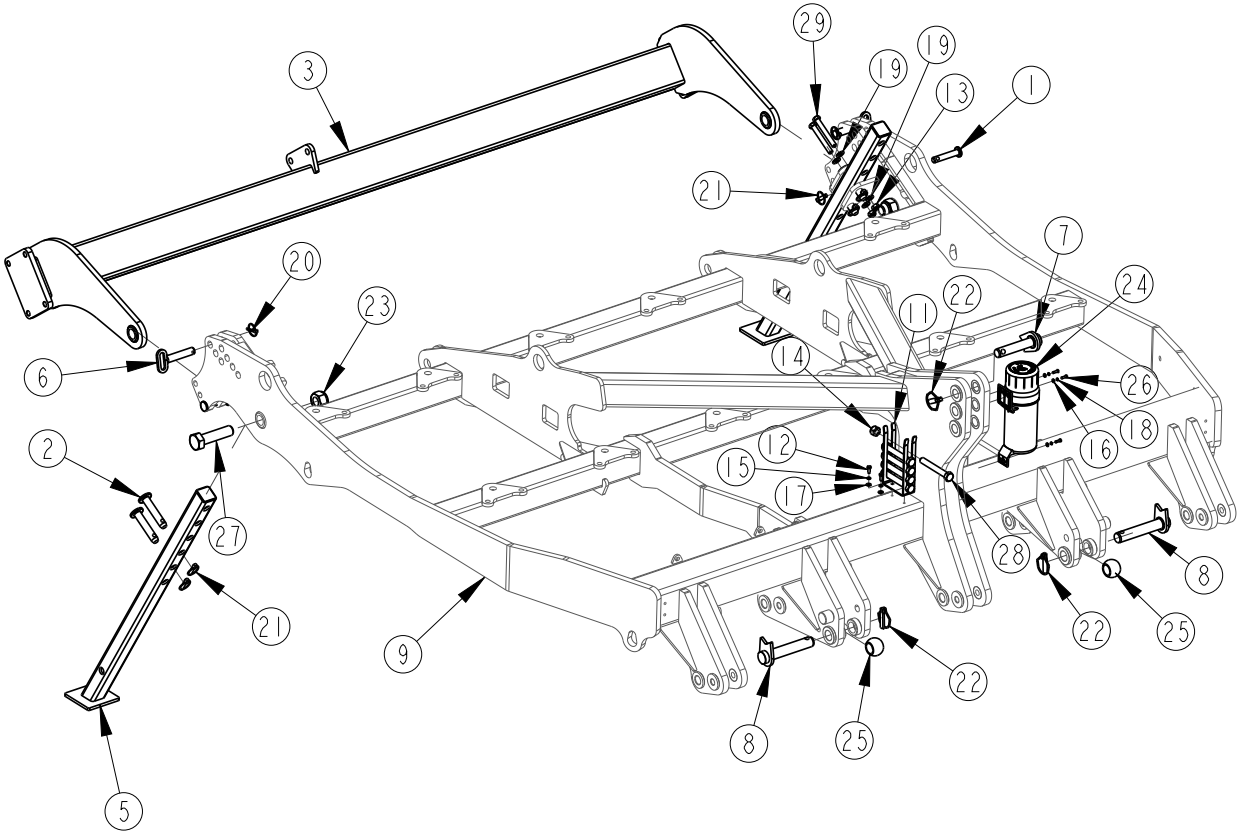
<b>ADJ</b>	Adjuster
<b>AR</b>	As Required
<b>BSP</b>	British Standard Pipe
<b>C</b>	Cap Screw
<b>CP</b>	Cotter Pin
<b>CPHSSS</b>	Cup Point Hex Socket Set Screw
<b>CPSHSS</b>	Cup Point Square Head Set Screw
<b>CPSQHSS</b>	Cup Point Square Head Set Screw
<b>CRFCHMS</b>	Cross Recess Flat Countersunk Head Mach. Screw
<b>CRPHMS</b>	Cross Recess Pan Head Machine Screw
<b>CRPHTFS</b>	Cross Recess Pan Head Thread Forming
<b>CRRHMS</b>	Cross Recess Round Head Machine Screw
<b>CRTHMS</b>	Cross Recess Truss Head Machine Screw
<b>CSNB</b>	Countersunk Square Neck Bolt
<b>FHMS</b>	Flat Head Machine Screw
<b>FTC</b>	Full Thread Cap Screw
<b>H</b>	Hex Nut
<b>HCLN</b>	Hex Center Lock Nut
<b>HFLCS</b>	Hex Flange Lock Cap Screw
<b>HFS</b>	Hex Flange Screw
<b>HFSLN</b>	Hex Flange Serrated Lock Nut
<b>HFSS</b>	Hex Flange Serrated Screw
<b>HHCS</b>	Hex Head Cap Screw or Metric Bolt
<b>HSBHCS</b>	Hex Socket Button Head Cap Screw
<b>HSFCHCS</b>	Hex Socket Flat Countersunk Head Cap Screw
<b>HSHCS</b>	Hex Socket Head Cap Screw
<b>HSSS</b>	Hex Socket Head Screw
<b>HTLN</b>	Hex Top Lock Nut
<b>HWHCS</b>	Hex Washer Head Cap Screw

<b>HWHMS</b>	Hex Washer Head Machine Screw
<b>HXBHCS</b>	Hex Socket Button Head Cap Screw
<b>J</b>	Hex Jam Nut
<b>JIC</b>	37 Degree Tapered Thread
<b>L</b>	Helical Spring Lock Washer
<b>LH</b>	Left Hand
<b>LUG</b>	Lug Bolt
<b>NFC</b>	National Fine Cap Screw
<b>NPSM</b>	National Pipe Straight Mechanical
<b>NPTF</b>	National Pipe Taper Fuel
<b>P</b>	Wide Plain Washer
<b>PHMS</b>	Pan Head Machine Screw
<b>PLOW</b>	Plow Bolt
<b>QRC</b>	Quick Release Coupling
<b>RH</b>	Right Hand
<b>RHMS</b>	Round Head Machine Screw
<b>RHSNB</b>	Round Head Square Neck Bolt
<b>SFCHMS</b>	Slotted Flat Countersunk Head Machine Screw
<b>SFHMS</b>	Slotted Fillister Head Machine Screw
<b>SP</b>	Special
<b>SP SCREW</b>	Special Screw
<b>SQHSS</b>	Square Head Set Screw
<b>SRHMS</b>	Slotted Round Head Machine Screw
<b>SSS</b>	Socket Set Screw
<b>STCS</b>	Self Tapping Cap Screw
<b>STHMS</b>	Slotted Truss Head Machine Screw
<b>WHEEL</b>	Wheel Studs and Hub Long Bolts
<b>WING</b>	Wing Bolt

## Replacement Hardware

The Hardware Legend above lists hardware abbreviations used in the parts lists. The use of improper grades of hardware can result in personal injury, damage to equipment, or loss of property.

# Chassis Assembly (Limited Disc Angle)

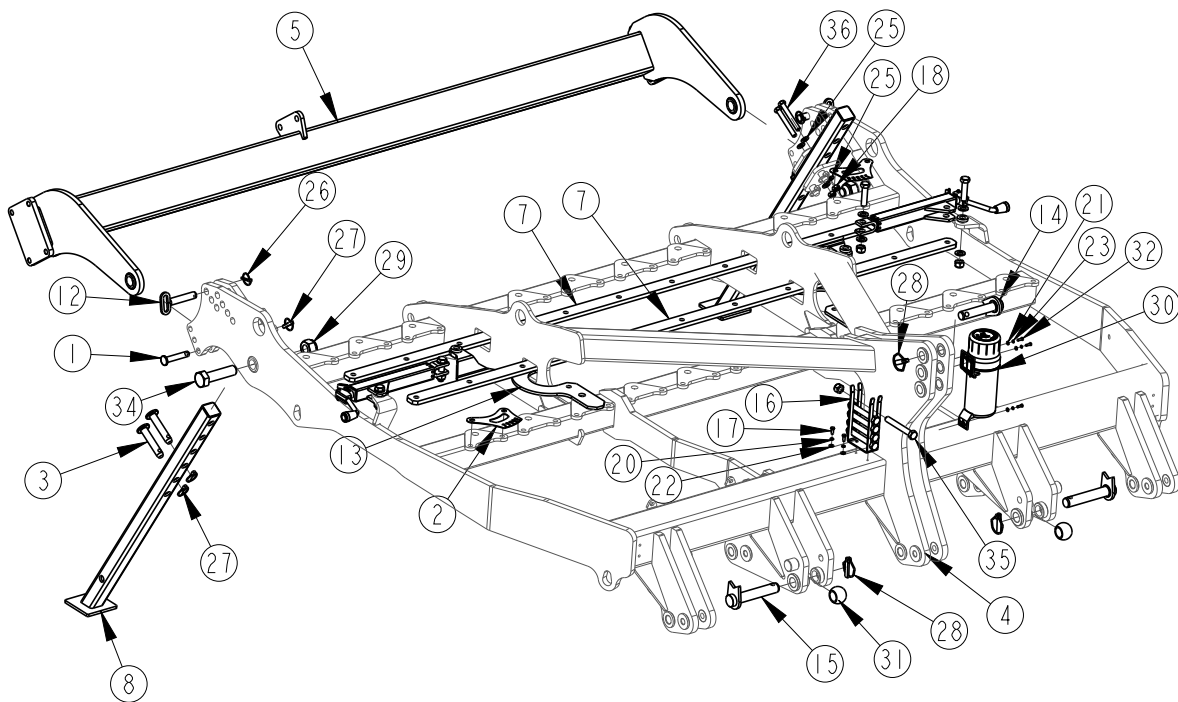
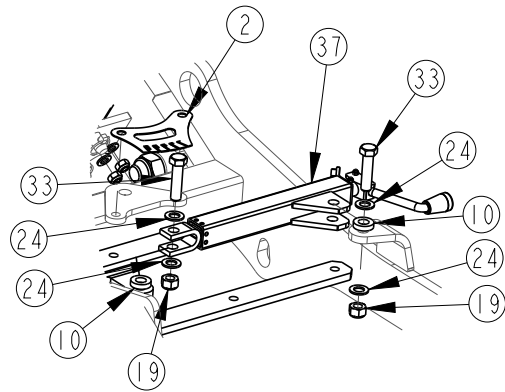
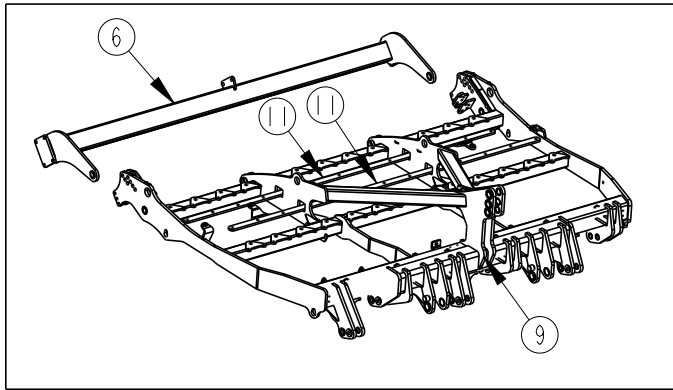


44002

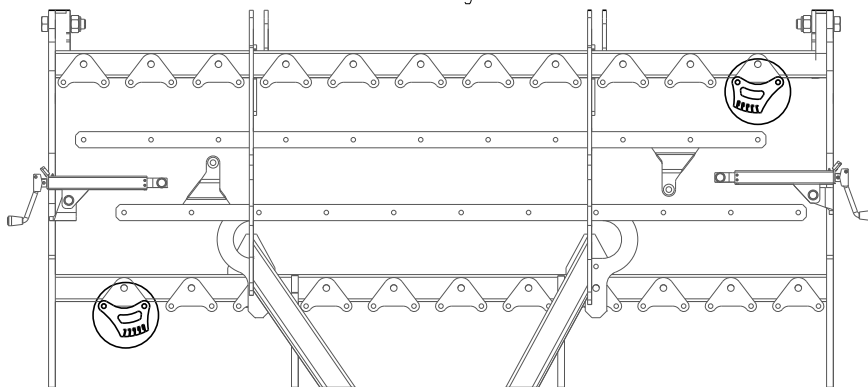
**Chassis Assembly (Limited Disc Angle)**

Item	Part No.	Part Description	Comments
1	270-539D	PIN Ø20X115	
2	603-558D	PIN Ø25 X 130	
3	604-002H	ROLL FRAME-DTX300	
4	604-004H	ROLL FRAME-DTX350	
5	604-008H	PARKING STAND	
6	604-052H	PIN Ø25X118 HANDLED	
7	604-080H	PIN UPPER LINK CAT3	
8	604-089H	PIN LOWER LINK CAT3	
9	604-111H	CHASSIS - DTX300	
10	604-115H	CHASSIS - DTX350	
11	604-238D	SHEAR BOLT STOWAGE M20	
12	802-314C	HHCS M8X1.25X20 GR8.8	
13	803-282C	NUT HEX M16X2.00 NYLON INSERT	
14	803-393C	NUT HEX NYLOCK M20X2.5	
15	804-157C	WASHER SPRING LOCK M8 PLT	
16	804-160C	WASHER FLAT M6 PLT	
17	804-161C	WASHER FLAT M8 PLT	
18	804-226C	WASHER LOCK M6 PLT	
19	804-247C	WASHER FLAT M16 PLT	
20	805-448C	LYNCH PIN CAT 1	
21	805-460C	LYNCH PIN CAT 2	
22	805-468C	LYNCH PIN CAT 3	
23	814-460C	NUT HEX M36X4 NYL INSERT	
24	817-928C	MANUAL HOLDER	
25	827-113C	BALL CAT 3 LOWER Ø37	
26	842-021C	HHCS M6X1X20 GR8.8	
27	842-056C	HHCS M36X4X140 GR8.8	
28	842-063C	HHCS M20X2.5X150 GR8.8	
29	842-076C	HHCS M16X2X120 GR8.8	

### Chassis Assembly (Variable Disc Angle)



Note Direction of Angle Guides:

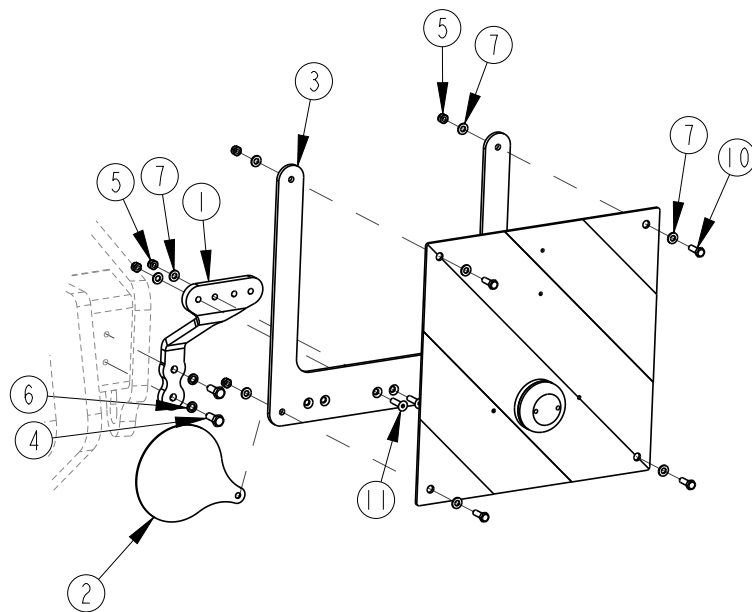
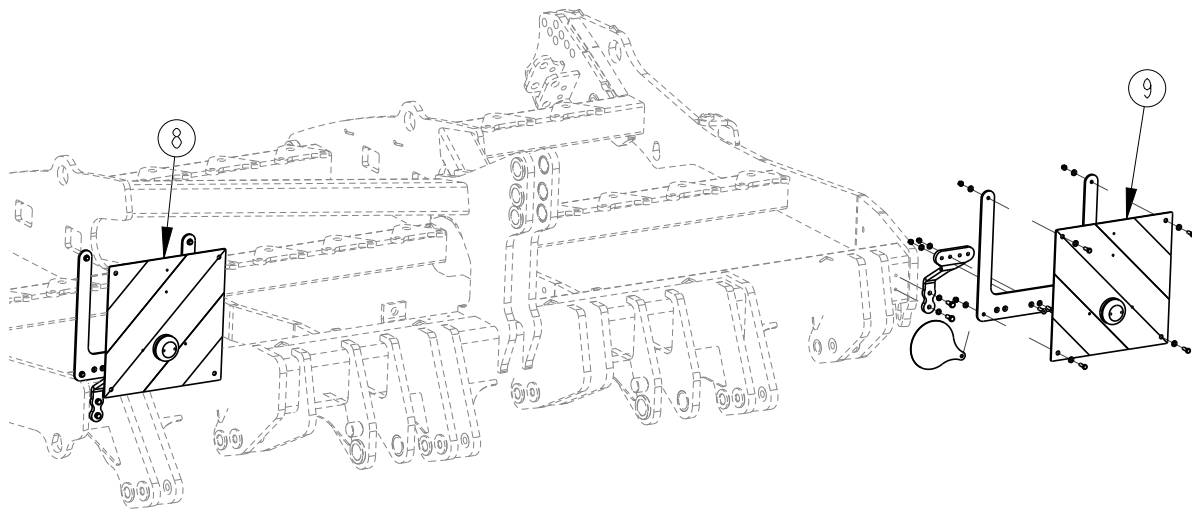


44004

**Chassis Assembly (Variable Disc Angle)**

Item	Part No.	Part Description	Comments
1	270-539D	PIN Ø20X115	
2	601-060D	ANGLE GUIDE	
3	603-558D	PIN Ø25 X 130	
4	604-001H	CHASSIS - DTX300	
5	604-002H	ROLL FRAME-DTX300	
6	604-004H	ROLL FRAME-DTX350	
7	604-007H	TRACK ROD - 11 HOLE	
8	604-008H	PARKING STAND	
9	604-011H	CHASSIS - DTX 350	
10	604-028D	BAR DIA. 40MM	
11	604-035H	TRACK ROD - 13 HOLE	
12	604-052H	PIN Ø25X118 HANDLED	
13	604-058D	HOOK TRACK ROD ARM	
14	604-080H	PIN UPPER LINK CAT3	
15	604-089H	PIN LOWER LINK CAT3	
16	604-238D	SHEAR BOLT STOWAGE M20	
17	802-314C	HHCS M8X1.25X20 GR8.8	
18	803-282C	NUT HEX M16X2.00 NYLON INSERT	
19	803-393C	NUT HEX NYLOCK M20X2.5	
20	804-157C	WASHER SPRING LOCK M8 PLT	
21	804-160C	WASHER FLAT M6 PLT	
22	804-161C	WASHER FLAT M8 PLT	
23	804-226C	WASHER LOCK M6 PLT	
24	804-244C	WASHER FLAT M20 PLT	
25	804-247C	WASHER FLAT M16 PLT	
26	805-448C	LYNCH PIN CAT 1	
27	805-460C	LYNCH PIN CAT 2	
28	805-468C	LYNCH PIN CAT 3	
29	814-460C	NUT HEX M36X4 NYL INSERT	
30	817-928C	MANUAL HOLDER	
31	827-113C	BALL CAT 3 LOWER Ø37	
32	842-021C	HHCS M6X1X20 GR8.8	
33	842-052C	HHCS M20X2.5X80 GR8.8	
34	842-056C	HHCS M36X4X140 GR8.8	
35	842-063C	HHCS M20X2.5X150 GR8.8	
36	842-076C	HHCS M16X2X120 GR8.8	
37	891-301C	ADJUSTER 350-600	

# Lights - Front

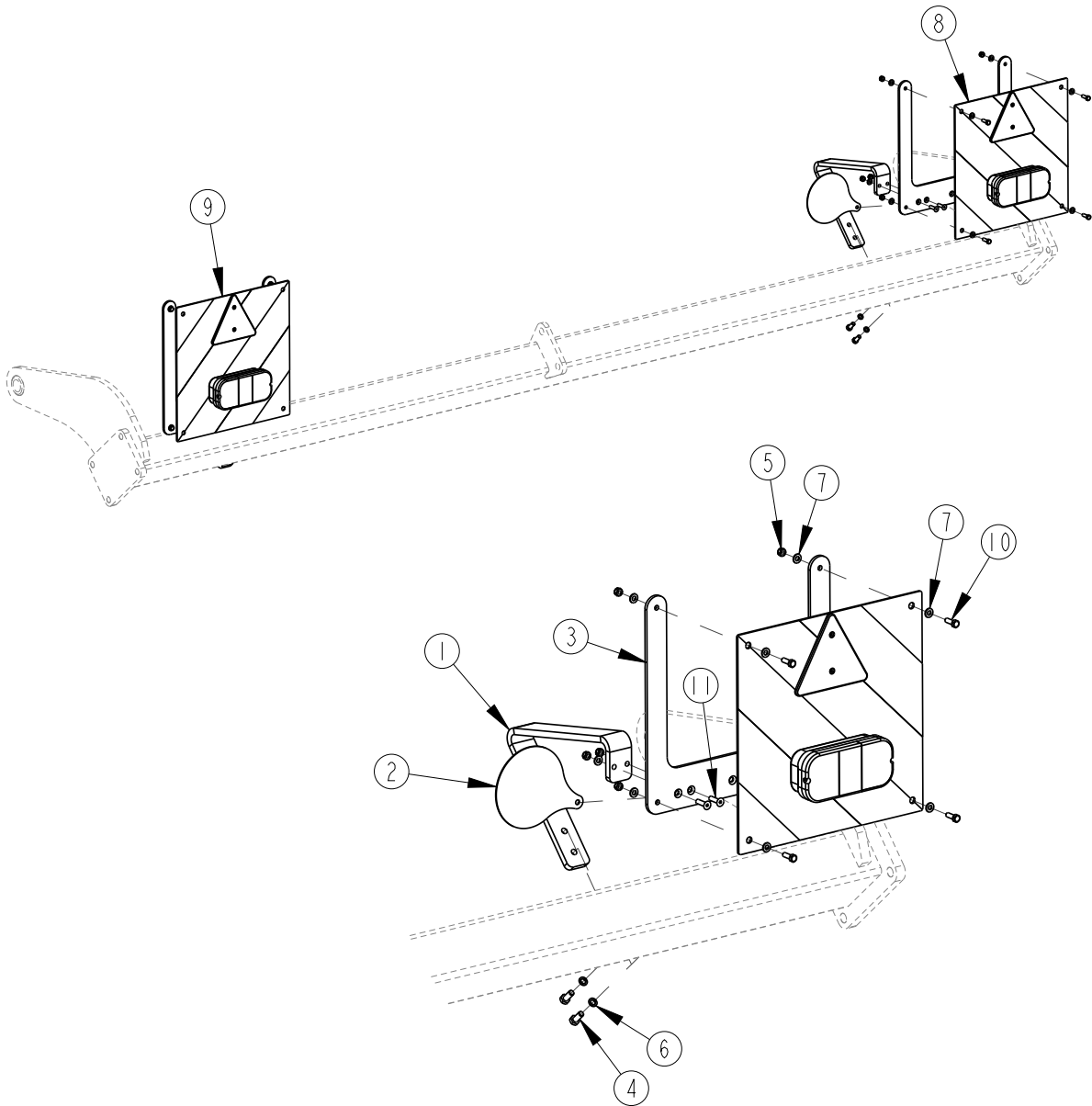


44010

**Lights - Front**

<b>Item</b>	<b>Part No.</b>	<b>Part Description</b>	<b>Comments</b>
1	601-356D	PLATE 12MM	
2	603-563D	DECAL MOUNT - SPEED	
3	608-258D	PLATE 6MM	
4	802-997C	HHCS M10X1.5X25 GR8.8	
5	803-422C	NUT HEX M8X2.00 NYLON INSERT	
6	804-158C	WASHER SPRING LOCK M10 PLT	
7	804-161C	WASHER FLAT M8 PLT	
8	833-610C	LIGHT BOARD FRH	
9	833-611C	LIGHT BOARD FLH	
10	842-023C	HHCS M8X1.25X25 GR8.8 FTTHD	
11	842-057C	HSFCHCS M8X30 CSK	

# Lights - Rear



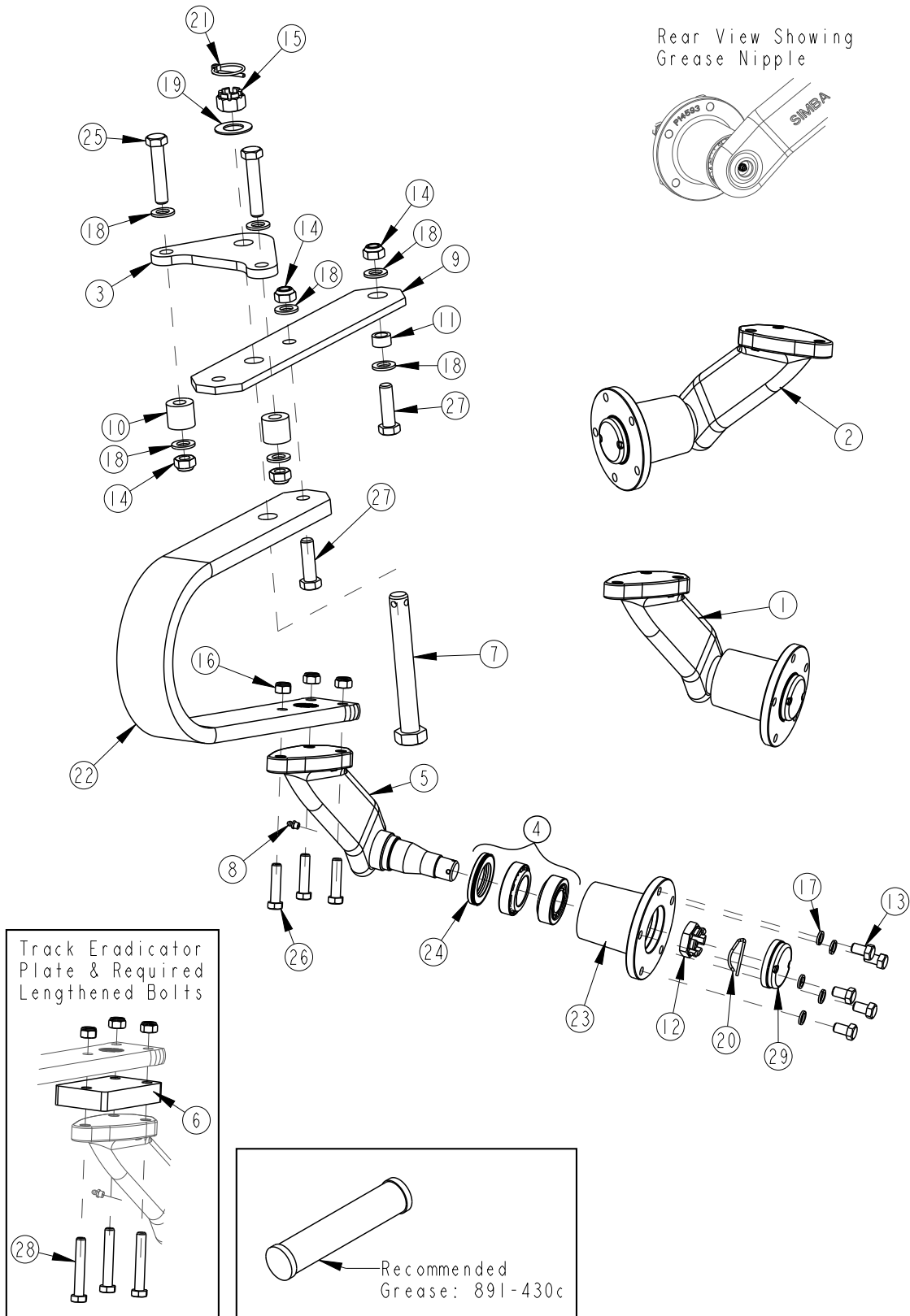
44011



**Lights - Rear**

<b>Item</b>	<b>Part No.</b>	<b>Part Description</b>	<b>Comments</b>
1	601-357D	PLATE 12MM	
2	603-563D	DECAL MOUNT - SPEED	
3	608-258D	PLATE 6MM	
4	802-997C	HHCS M10X1.5X25 GR8.8	
5	803-422C	NUT HEX M8X2.00 NYLON INSERT	
6	804-158C	WASHER SPRING LOCK M10 PLT	
7	804-161C	WASHER FLAT M8 PLT	
8	833-608C	LIGHT BOARD RRH	
9	833-609C	LIGHT BOARD RLH	
10	842-023C	HHCS M8X1.25X25 GR8.8 FTGD	
11	842-057C	HSFCHCS M8X30 CSK	

# Disc Arm Assembly (Single Hub)

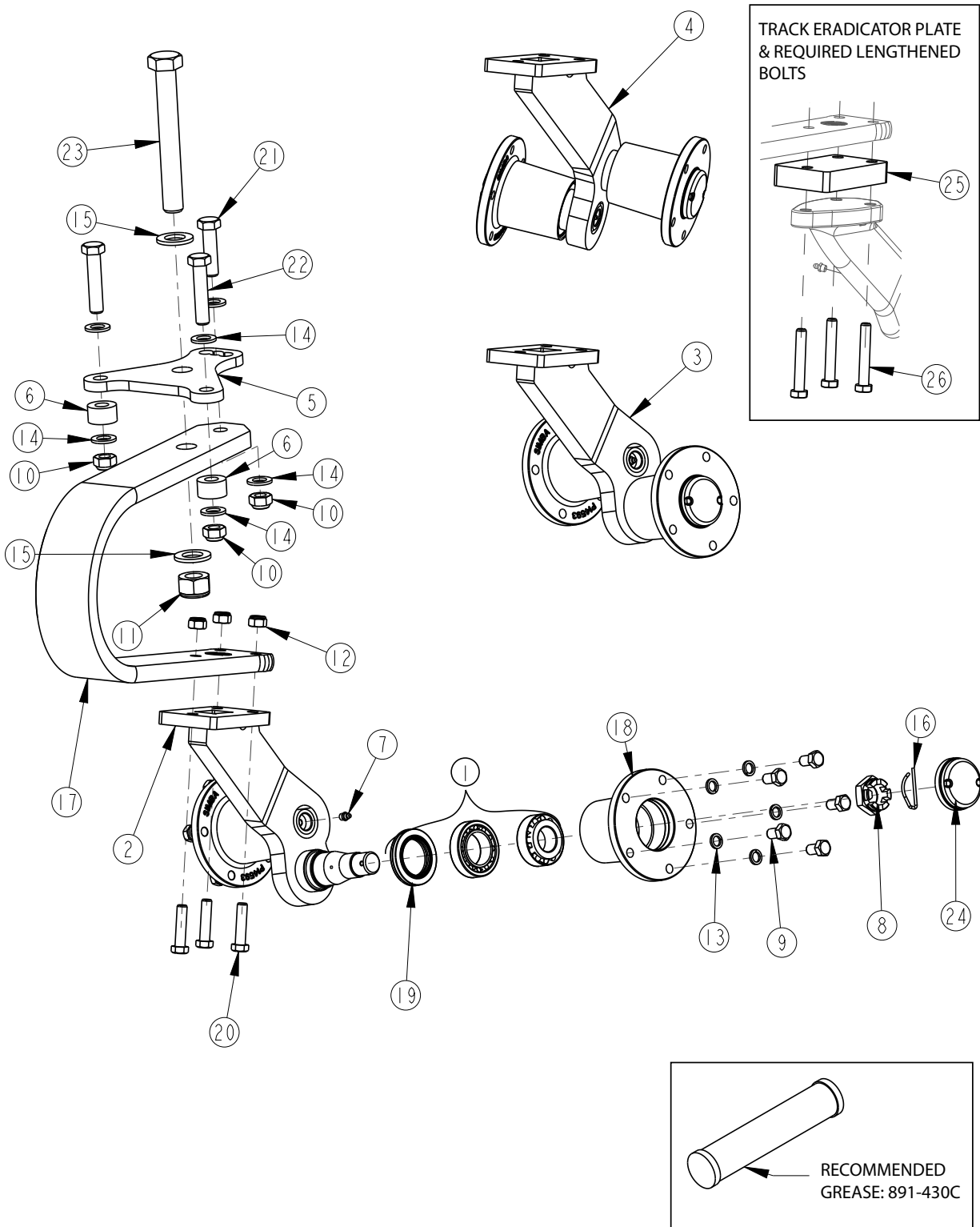


45003

**Disc Arm Assembly (Single Hub)**

Item	Part No.	Part Description	Comments
1	601-012S	DISC ARM UNIT RH	
2	601-013S	DISC ARM UNIT LH	
3	601-024D	PLATE 12MM	
4	601-027V	BEARING + SEAL KIT COMPLETE	
5	601-036K	DISC UNIT LH	
6	601-394D	X-PRESS LEAF SPACER	
7	601-440D	HHCS M24X3X185 GR8.8 SPTH	
8	603-570D	NIPPLE - GREASE M8	
9	604-062D	TRACK ARM	
10	604-063D	BUSH Ø36XØ16.5X31MM	
11	604-064D	BUSH Ø24XØ16X13MM	
12	800-424C	NUT-CASTLE M27X1.5	
13	802-976C	HHCS M12X1.25X20 GR8.8	
14	803-282C	NUT HEX M16X2.00 NYLON INSERT	
15	803-413C	NUT CASTLE M24X3	
16	803-415C	NUT HEX M12X1.5 NYLON INSERT	
17	804-159C	WASHER SPRING LOCK M12 PLT	
18	804-247C	WASHER FLAT M16 PLT	
19	804-271C	WASHER MACH 48X26.5X2 PLT	
20	805-445C	SPRING PIN	
21	805-465C	LYNCH PIN CAT 0	
22	807-313C	SPRING COMP 80 X 20MM	
23	812-405C	HUB CASTING	
24	822-269C	SEAL 64X45X9.5	
25	842-034C	HHCS M16X2X80 GR8.8	
26	842-038C	HHCS M12X1.5X50 GR10.9 SPTH	
27	842-066C	HHCS M16X2X55 GR8.8	
28	842-223C	HHCS M12X1.75X75 GR10.9	
29	891-262C	HUB CAP	

# Disc Arm Assembly (Twin Hub)

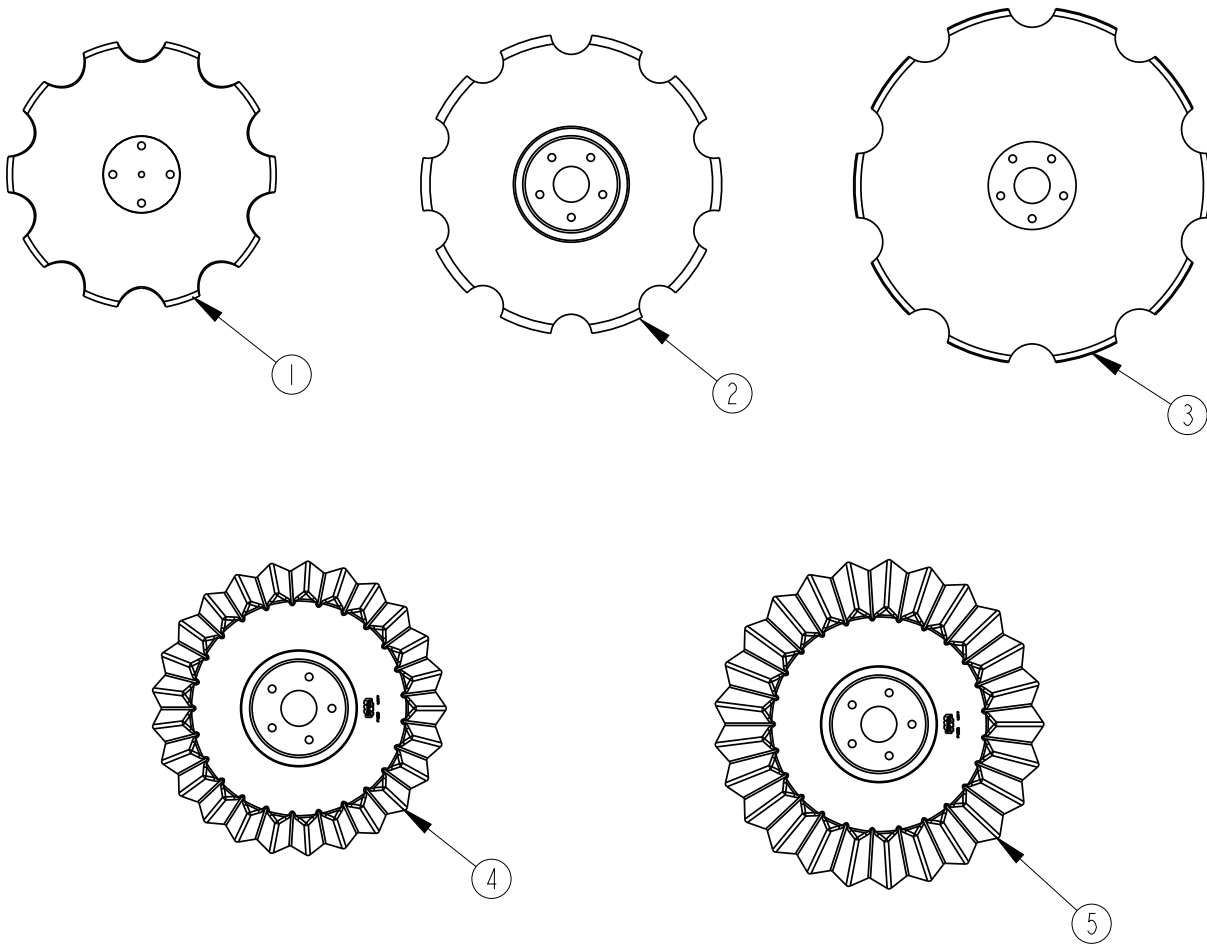


45006

## Disc Arm Assembly

Item	Part No.	Part Description	Comments
1	601-027V	BEARING + SEAL KIT COMPLETE	
2	601-208H	DOUBLE DISC ARM	
3	601-209V	TWIN HUB RH	
4	601-362V	TWIN HUB LH	
5	601-571D	PLATE 12MM	
6	601-572D	BUSH Ø35XØ16.5X20MM	
7	603-570D	NIPPLE - GREASE M8	
8	800-424C	NUT-CASTLE M27X1.5	
9	802-976C	HHCS M12X1.25X20 GR8.8	
10	803-282C	NUT HEX M16X2.00 NYLON INSERT	
11	803-412C	NUT HEX M24X3 NYLON INSERT	
12	803-415C	NUT HEX M12X1.5 NYLON INSERT	
13	804-159C	WASHER SPRING LOCK M12 PLT	
14	804-247C	WASHER FLAT M16 PLT	
15	804-251C	WASHER FLAT M24 PLT	
16	805-445C	SPRING PIN	
17	807-313C	SPRING COMP 80 X 20MM	
18	812-405C	HUB CASTING	
19	822-269C	BEARING SEAL	
20	842-038C	HHCS M12X1.5X50 GR10.9 SPTH	
21	842-049C	HHCS M16X2X60 GR8.8	
22	842-073C	HHCS M16X2X75 GR8.8	
23	842-191C	HHCS M24X3X180 GR8.8	
24	891-262C	HUB CAP	
25	601-394D	TRACK ERADICATOR SPACER	
26	842-223C	HHCS M12X1.5X75 GR10.9	

# Disc Blades

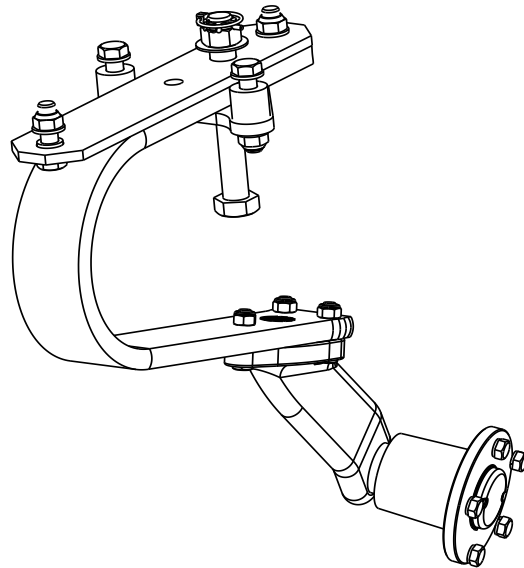


**Disc Blades**

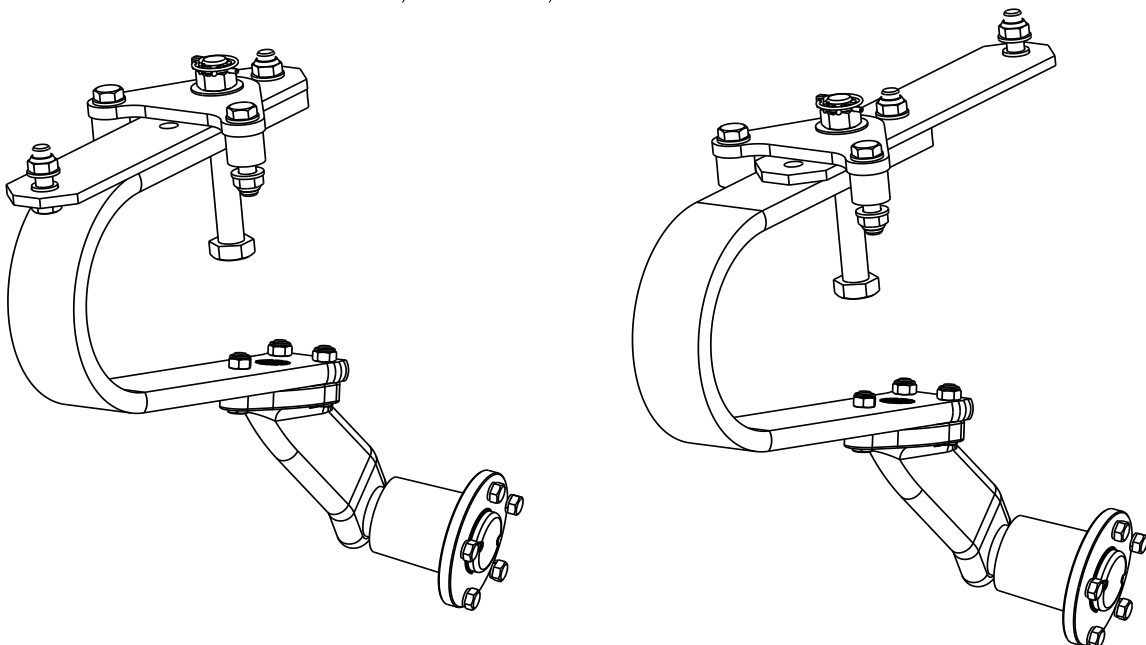
<b>Item</b>	<b>Part No.</b>	<b>Part Description</b>	<b>Comments</b>
1	820-462C	DISC BLADE - Ø460	TO SUIT TL
2	820-460C	DISC BLADE - Ø510	TO SUIT X-PRESS, SL400-600, DTX
3	820-461C	DISC BLADE - Ø610	TO SUIT SLD, SL700
4	820-534C	SOILRAZOR - Ø510	TO SUIT X-PRESS, SL400-600, DTX
5	820-542C	SOILRAZOR - Ø560	TO SUIT SLD, SL700

# Disc Hub Configurations

SLD/SL700 ASSEMBLY



SL 4/5/6, ALL MXP, TRXP & DTX ASSEMBLY

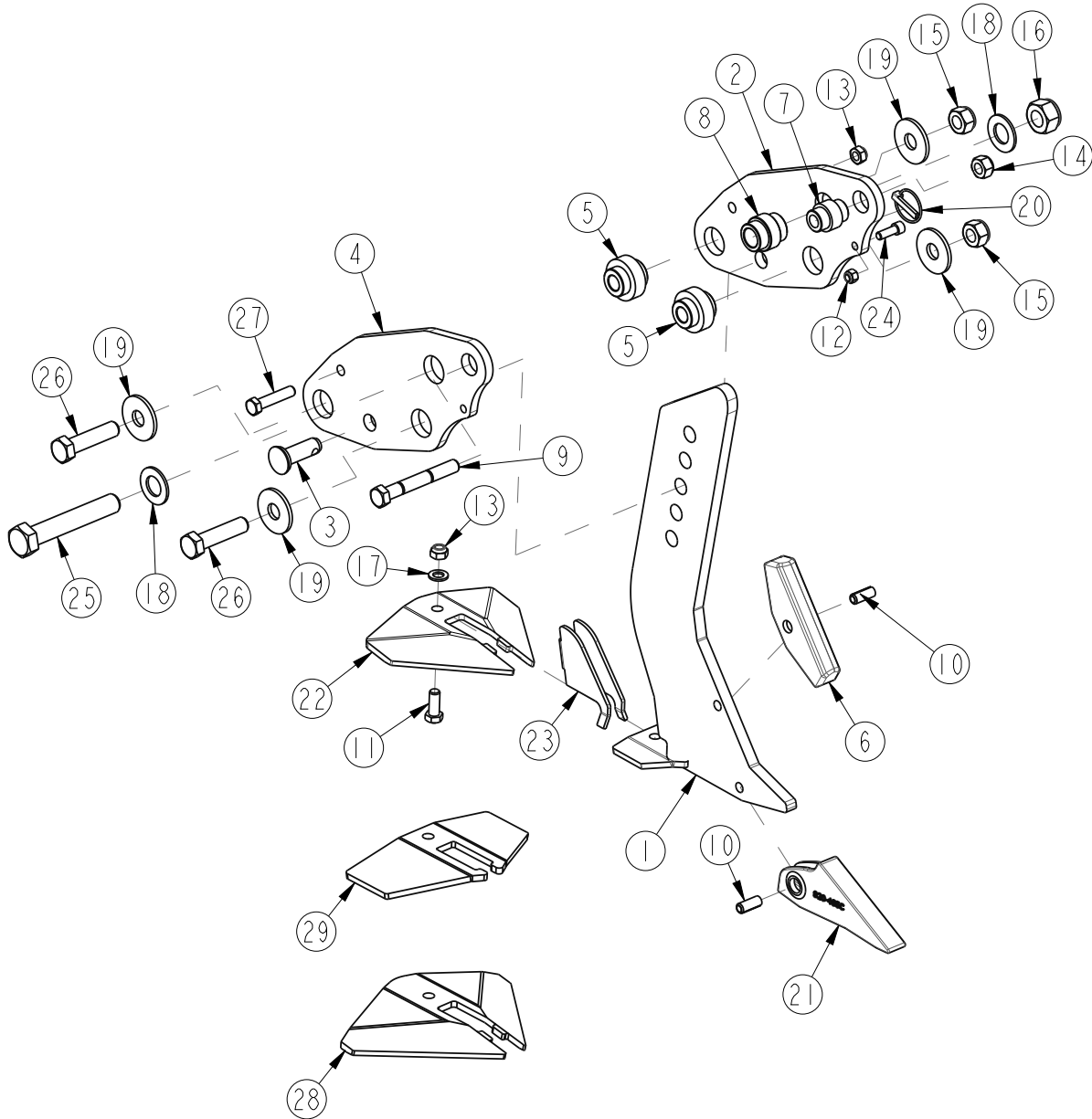


45009



**This Page Intentionally Blank**

# Tine & Tine Pocket - Pro-Lift

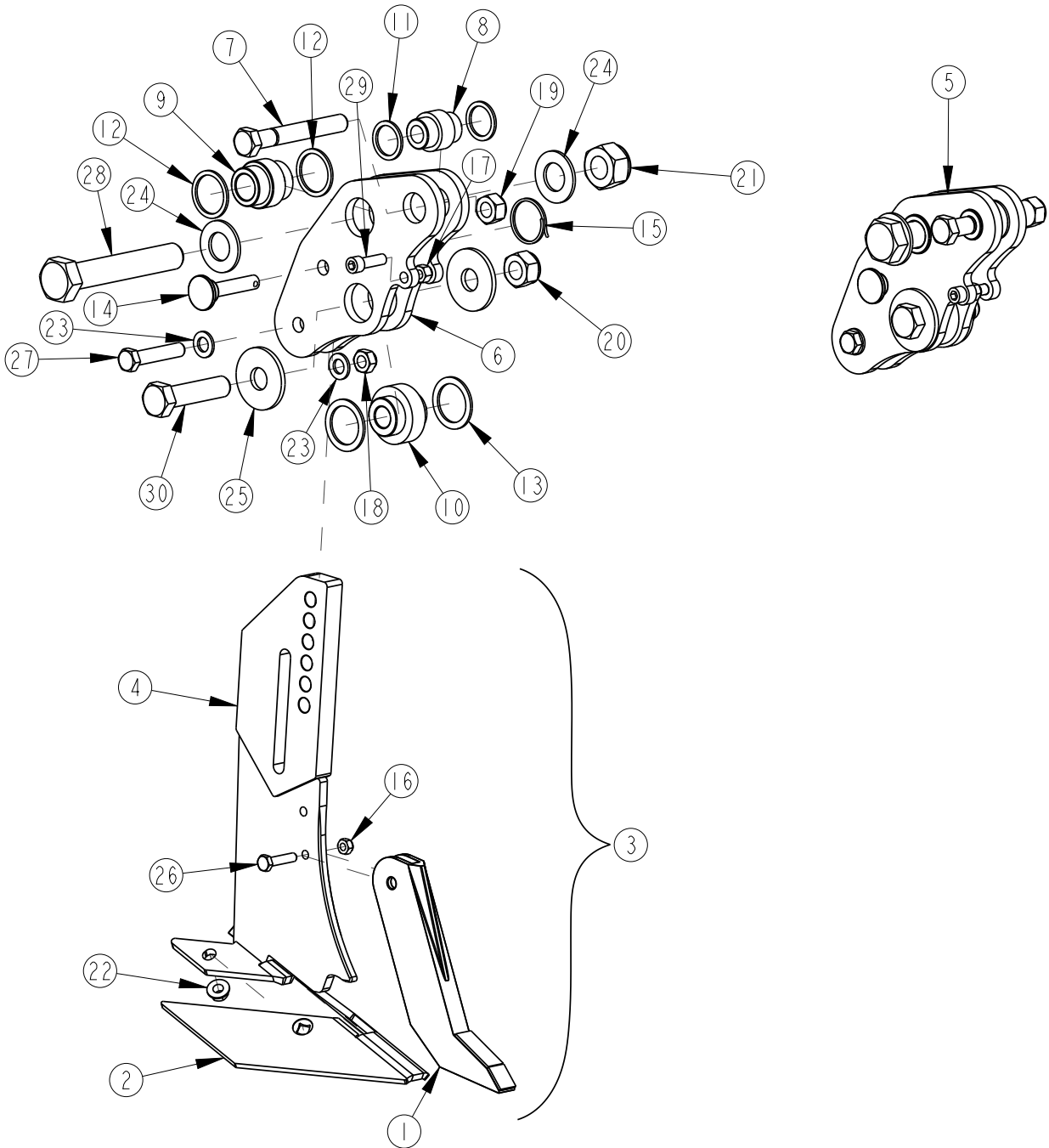


44016

## Tine & Tine Pocket - Pro-Lift

Item	Part No.	Part Description	Comments
1	604-034H	DTX TINE 400 W/DEPTH	
2	604-053H	TINE POCKET LH	
3	604-175D	BAR Ø5	
4	604-239D	TINE POCKET RH	
5	604-287D	TINE SUPPORT BUSH	
6	604-292D	WEARSHIN PROLIFT REVERSIBLE	
7	604-298D	BAR DIA. 45	
8	604-299D	BAR DIA. 45	
9	604-322D	HHCS M20X2.5X150 GR8.8	
10	800-442C	ROLL PIN Ø6X40	
11	802-703C	HHCS M16X2.0X40 GR8.8	
12	803-281C	NUT HEX NYLOCK M12X1.75 PLT	
13	803-282C	NUT HEX M16X2.00 NYLON INSERT	
14	803-393C	NUT HEX NYLOCK M20X2.5	
15	803-412C	NUT HEX M24X3 NYLON INSERT	
16	803-416C	NUT HEX M30X3.5 NYLON INSERT	
17	804-247C	WASHER FLAT M16 PLT	
18	804-257C	WASHER FLAT M30 - OD60MM PLT	
19	804-266C	WASHER FLAT M24 - OD72MM	
20	805-482C	LYNCH PIN CAT 2 LOCKING	
21	820-485C	POINT - PROLIFT	
22	820-486C	PLATE 10MM	
23	820-487C	WEAR SHROUD	
24	842-024C	HSHCS M12X1.75X35 GR8.8	
25	842-043C	HHCS M30X3.5X180 GR8.8	
26	842-071C	HHCS M24X3X100 GR8.8	
27	842-073C	HHCS M16X2X75 GR8.8	
28	602-359D	PLATE 10MM	

# Tine & Tine Pocket - LD



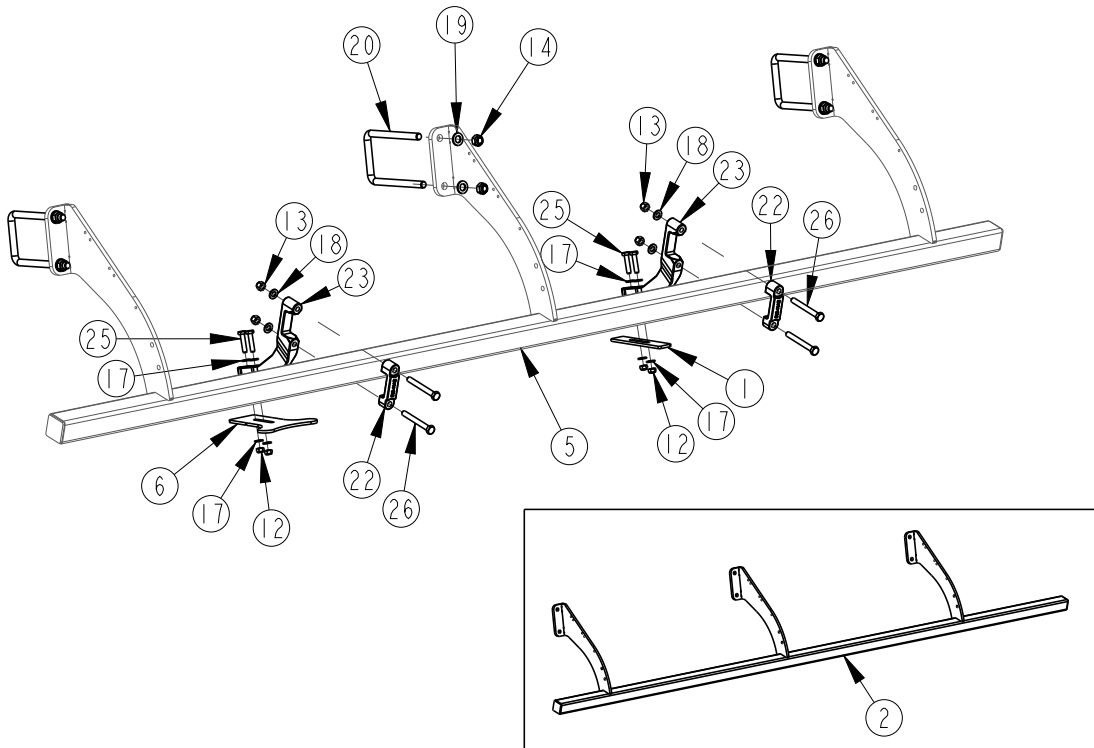
44009

**Tine & Tine Pocket - LD**

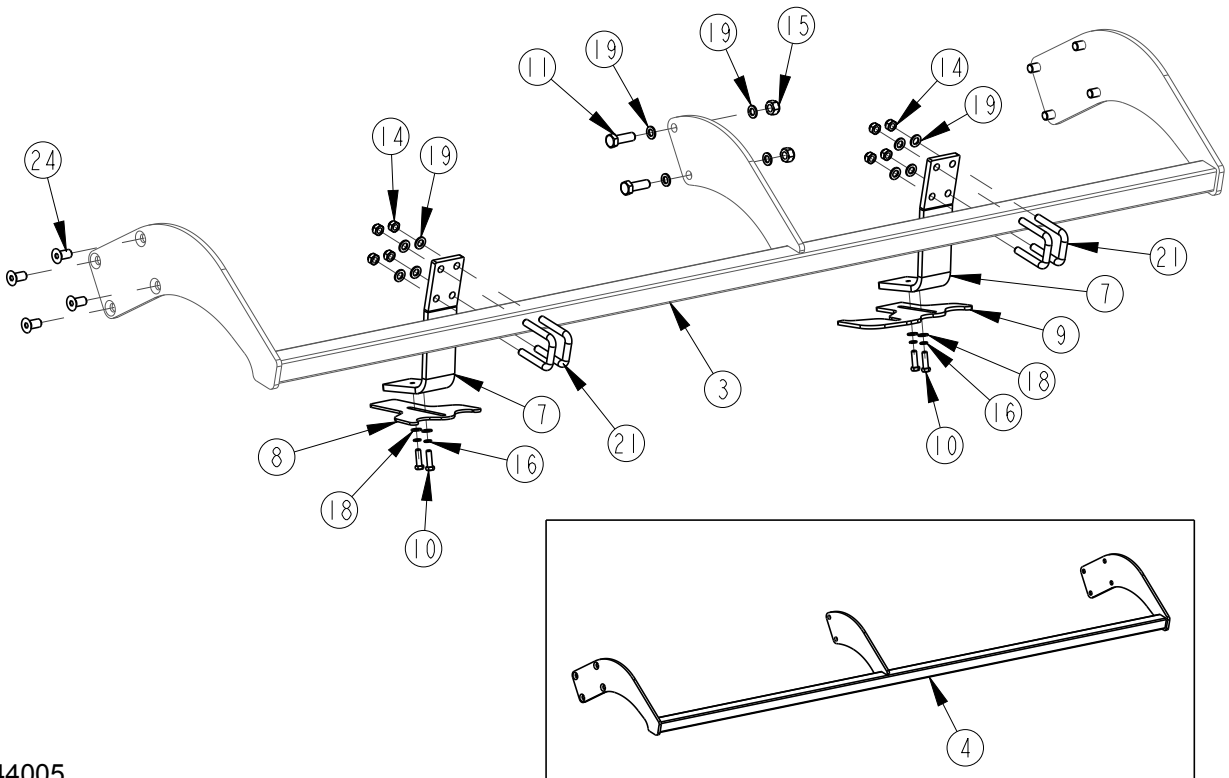
Item	Part No.	Part Description	Comments
1	603-396D	EP POINT	
2	603-401D	WING LD	
3	604-074A	DTX LD TINE ASSEMBLY	
4	604-095H	TINE - DTX LD SHORT	
5	604-097V	LD TINE POCKET	
6	604-241D	LD POCKET SIDE PLATE	
7	604-263D	HHCS M20X2.5X150 GR8.8	
8	604-298D	BAR DIA. 45	
9	604-299D	BAR DIA. 45	
10	604-300D	BAR DIA. 45	
11	604-301D	SPACER BUSH OD Ø45	
12	604-302D	SPACER BUSH OD Ø55	
13	604-303D	SPACER BUSH O/D 60	
14	606-053D	PIN Ø16X73	
15	800-430C	CIRCLE COTTER 52X2.6	
16	803-280C	NUT HEX NYLOCK M10X1.5 PLT	
17	803-281C	NUT HEX NYLOCK M12X1.75 PLT	
18	803-282C	NUT HEX M16X2.00 NYLON INSERT	
19	803-393C	NUT HEX NYLOCK M20X2.5	
20	803-412C	NUT HEX M24X3 NYLON INSERT	
21	803-416C	NUT HEX M30X3.5 NYLON INSERT	
22	803-420C	NUT HEX WHIZ M12X1.75	
23	804-247C	WASHER FLAT M16 PLT	
24	804-257C	WASHER FLAT M30 - OD60MM PLT	
25	804-266C	WASHER FLAT M24 - OD72MM	
26	842-025C	HHCS M10X1.5X45 GR8.8	
27	842-034C	HHCS M16X2X80 GR8.8	
28	842-043C	HHCS M30X3.5X180 GR8.8	
29	842-069C	HSHCS M12X1.75X40 GR12.9	
30	842-071C	HHCS M24X3X100 GR8.8	

# Scraper Rail Assembly

DDL600, ML & V Roller



DD600

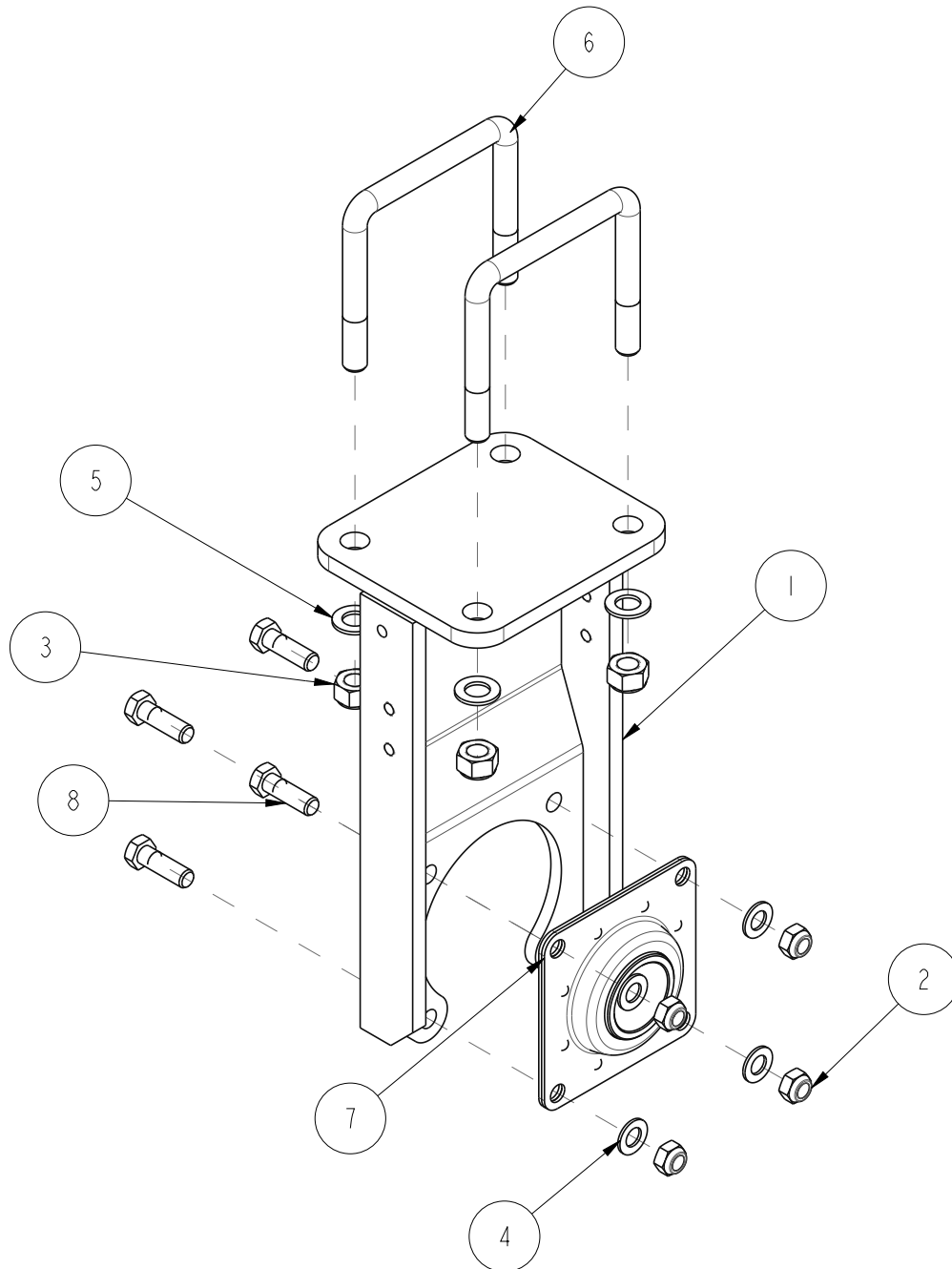


44005

## Scraper Rail Assembly

Item	Part No.	Part Description	Comments
1	603-534D	SCRAPER PLATE 150MM	
2	604-003H	SCRAPER RAIL- 3.5M	
3	604-005H	SCRAPER RAIL DTX300-DD600	
4	604-006H	SCRAPER RAIL DTX350-DD600	
5	604-054H	SCRAPER RAIL - 3M	
6	604-247D	SCRAPER PLATE	
7	611-064D	PLATE 15MM	
8	611-065D	PLATE 6MM	
9	611-208D	PLATE 8MM	
10	802-977C	HHCS M12X1.75X40 GR8.8	
11	802-988C	HHCS M20X2.5X60 GR10.9	
12	803-280C	NUT HEX NYLOCK M10X1.5 PLT	
13	803-281C	NUT HEX NYLOCK M12X1.75 PLT	
14	803-282C	NUT HEX M16X2.00 NYLON INSERT	
15	803-393C	NUT HEX NYLOCK M20X2.5	
16	804-159C	WASHER SPRING LOCK M12 PLT	
17	804-162C	WASHER FLAT M10 PLT	
18	804-246C	WASHER FLAT M12 PLT	
19	804-247C	WASHER FLAT M16 PLT	
20	806-236C	U-BOLT M16-2.00 X 101 X 190	
21	806-241C	U-BOLT M16X2 X 62 X 100 GR8.8	
22	812-414C	SCRAPER CLAMP PLATE	
23	812-415C	SCRAPER STEM	
24	842-022C	HSFCHCS M20X2.5X40 GR10.9	
25	842-025C	HHCS M10X1.5X45 GR8.8	
26	842-026C	HHCS M12X1.75X100 GR8.8	

**DD600 Pillar**



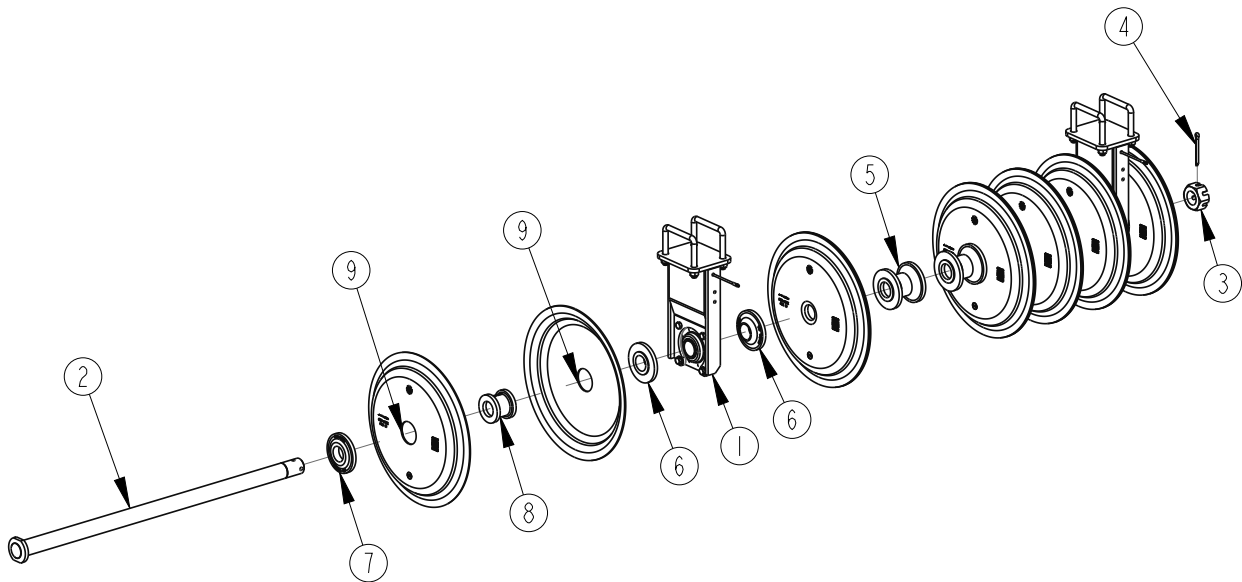
45025



**DD600 Pillar**

<b>Item</b>	<b>Part No.</b>	<b>Part Description</b>	<b>Comments</b>
1	602-004H	PRESS ROLL PILLAR	
2	803-282C	NUT HEX M16X2.00 NYLON INSERT	
3	803-393C	NUT HEX NYLOCK M20X2.5	
4	804-005C	FLAT WASHER M16 NARROW PLT	
5	804-244C	WASHER FLAT M20 PLT	
6	806-243C	U-BOLT M20X2.5 X 152 X 145	
7	822-282C	BEARING - PRESSED Ø61X56 SFL	
8	842-033C	HHCS M16X2X50 GR8.8	

# DD600 Roll Assembly

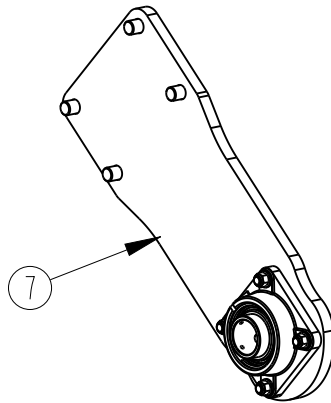
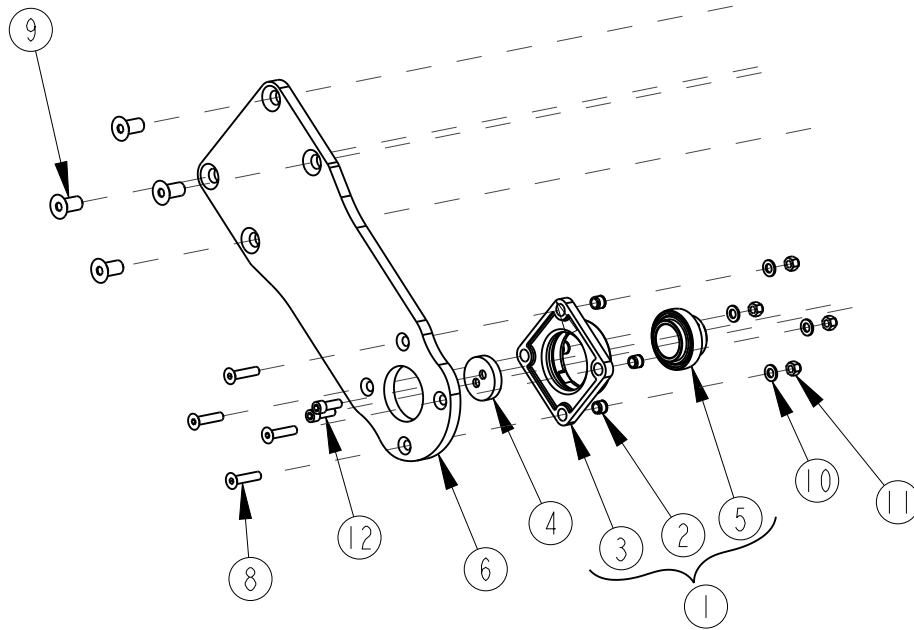


45018

**DD600 Roll Assembly**

<b>Item</b>	<b>Part No.</b>	<b>Part Description</b>	<b>Comments</b>
1	602-220K	PILLAR ASSEMBLY SFL BRG	
2	602-039H	DD AXLE Ø60X1369MM	FITS 6 RINGS (1x QTY ON 3.0m)
	602-034H	DD AXLE Ø60X1623MM	FITS 7 RINGS (1x QTY ON 3.0m & 3.5m)
	611-050H	DD AXLE Ø60X1857MM	FITS 8 RINGS (1x QTY ON 3.5m)
3	803-424C	NUT CASTLE M60X5.5	
4	805-469C	PIN SPLIT Ø10X100	
5	812-408C	DD600 - SPOOL	
6	812-409C	DD600 - BEARING SPOOL	
7	812-410C	DD600 - NUT SPOOL	
8	812-411C	DD600 - INTERNAL SPACER	
9	820-465C	RING-DD600X5MM	

# Roll Pillar (DDL600, HD, V, ML & Aqueel Rollers)

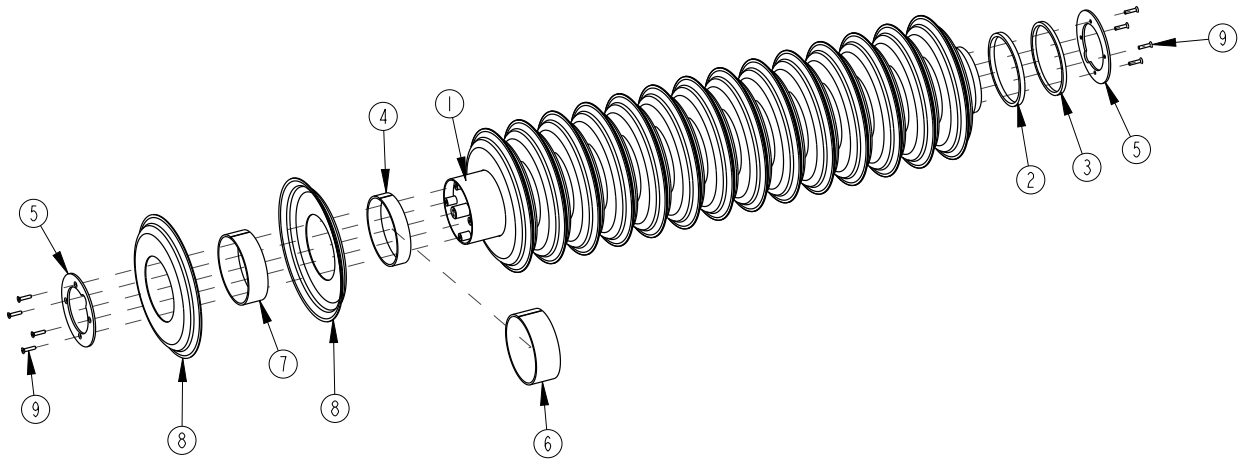


44006

**Roll Pillar (DDL600, HD, V, ML & Aqueel Rollers)**

Item	Part No.	Part Description	Comments
1	601-015S	SCJ50 BEARING COMPLETE	
2	601-032D	BAR DIA. 18.3MM	
3	812-404C	BEARING HOUSING SCJ 50	
4	601-150D	STUB AXLE END WASHER	
5	822-266C	BEARING INNER YCJ 50	
6	604-010D	PLATE 20MM	
7	604-082V	PILLAR - FLANGE FITTING	COMPLETE
8	842-037C	HSFCHCS M12X1.75X55 GR10.9	
9	842-022C	HSFCHCS M20X2.5X40 GR10.9	
10	804-246C	WASHER FLAT M12 PLT	
11	803-281C	NUT HEX NYLOCK M12X1.75 PLT	
12	842-024C	HSCHCS M12X1.75X35 GR8.8	

# DDL600 Roll

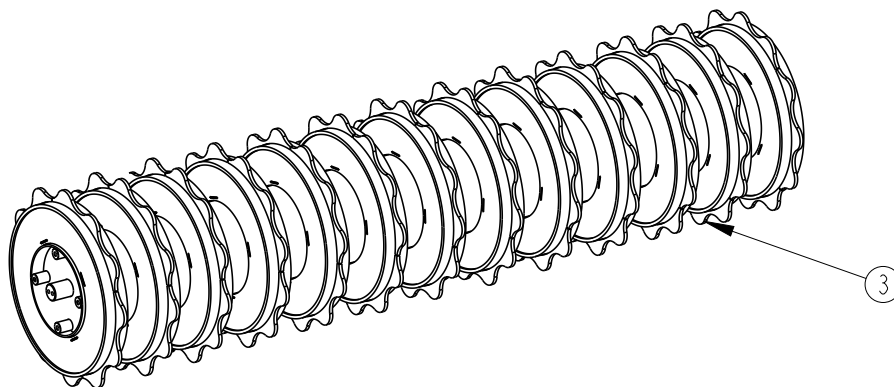
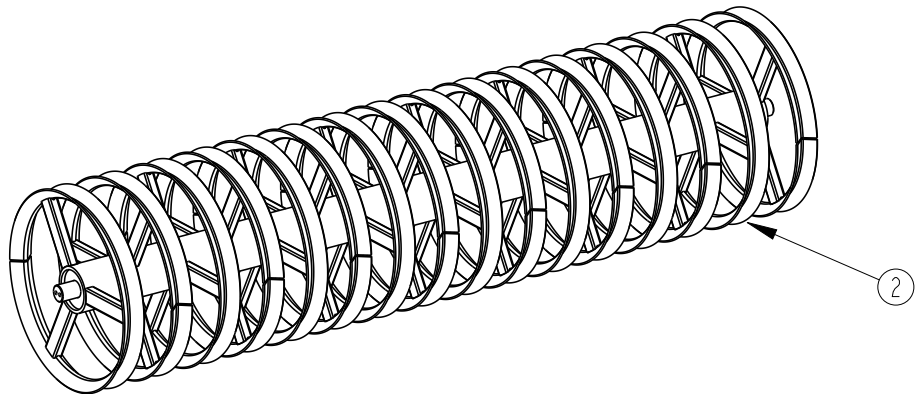
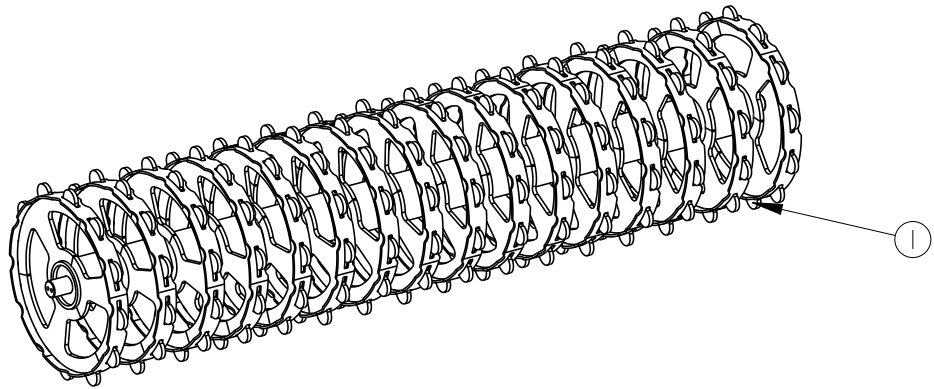


53014

**DDL600 Roll**

<b>Item</b>	<b>Part No.</b>	<b>Part Description</b>	<b>Comments</b>
1	601-132H	ROLL TUBE - 2902MM	FOR 3.0M MACHINE
	604-055H	ROLL TUBE - 3500MM	FOR 3.5M MACHINE
2	601-430D	END SPACER RING 20MM	
3	603-531D	15MM END SPACER RING	
4	603-532D	DDL 600 SPACER 8X58MM	FOR 150MM SPACED ROLLS
5	604-242D	RETAINING PLATE	
6	604-243D	DDL 600 SPACER 107MM	FOR 200MM SPACED ROLLS
7	604-244D	INTRNL SPACER 86 X 8MM	
8	820-482C	RING-DD600X5MM	
9	842-037C	HSFCHCS M12X1.75X55 GR10.9	

# HD, V & ML Rollers



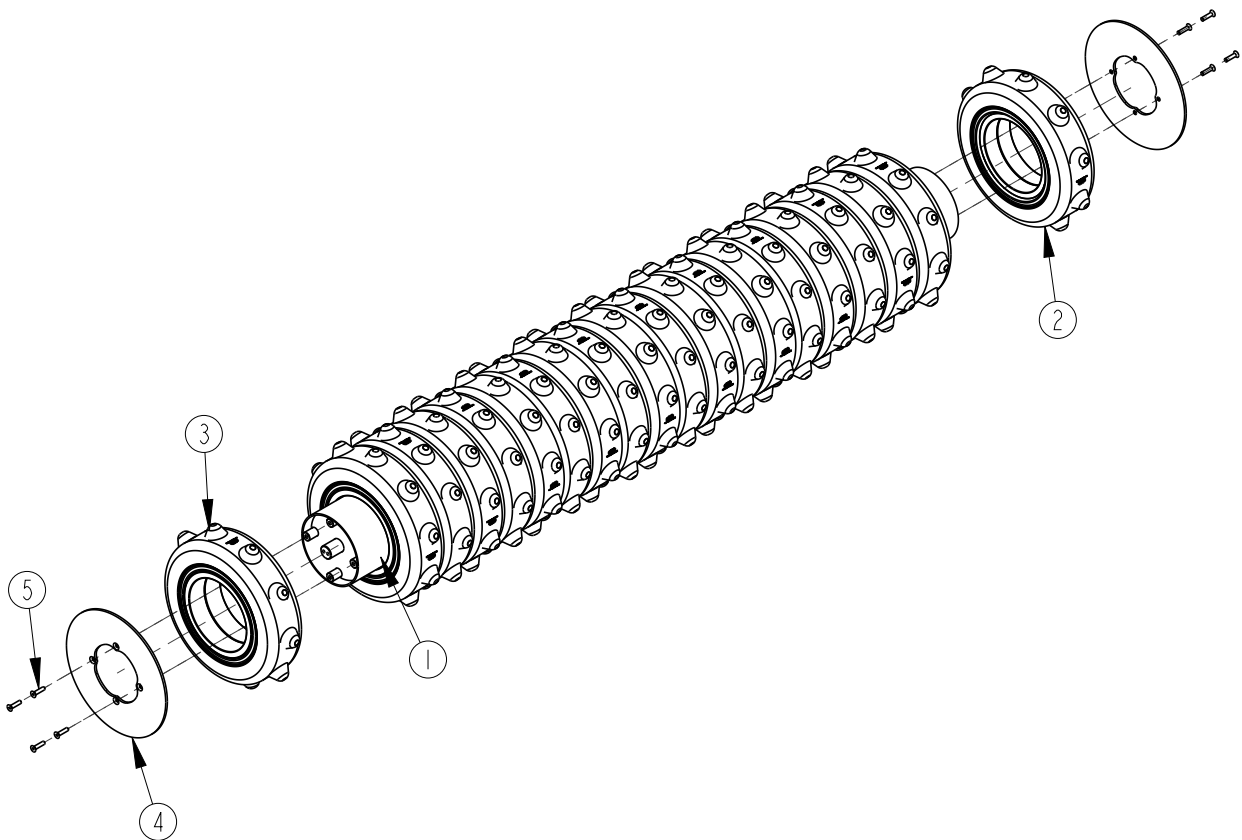
44017



**HD, V & ML Rollers**

<b>Item</b>	<b>Part No.</b>	<b>Part Description</b>	<b>Comments</b>
1	601-250H	ML ROLLER - 3.0M	TO SUIT 3.0m MACHINE
	601-251H	ML ROLLER - 3.5M	TO SUIT 3.5m MACHINE
2	601-248H	V ROLLER - 3.0M	TO SUIT 3.0m MACHINE
	601-249H	V ROLLER - 3.5M	TO SUIT 3.5m MACHINE
3	601-246H	HD ROLLER - 3.0M	TO SUIT 3.0m MACHINE
	601-247H	HD ROLLER - 3.5M	TO SUIT 3.5m MACHINE

# Aqueel II Roller

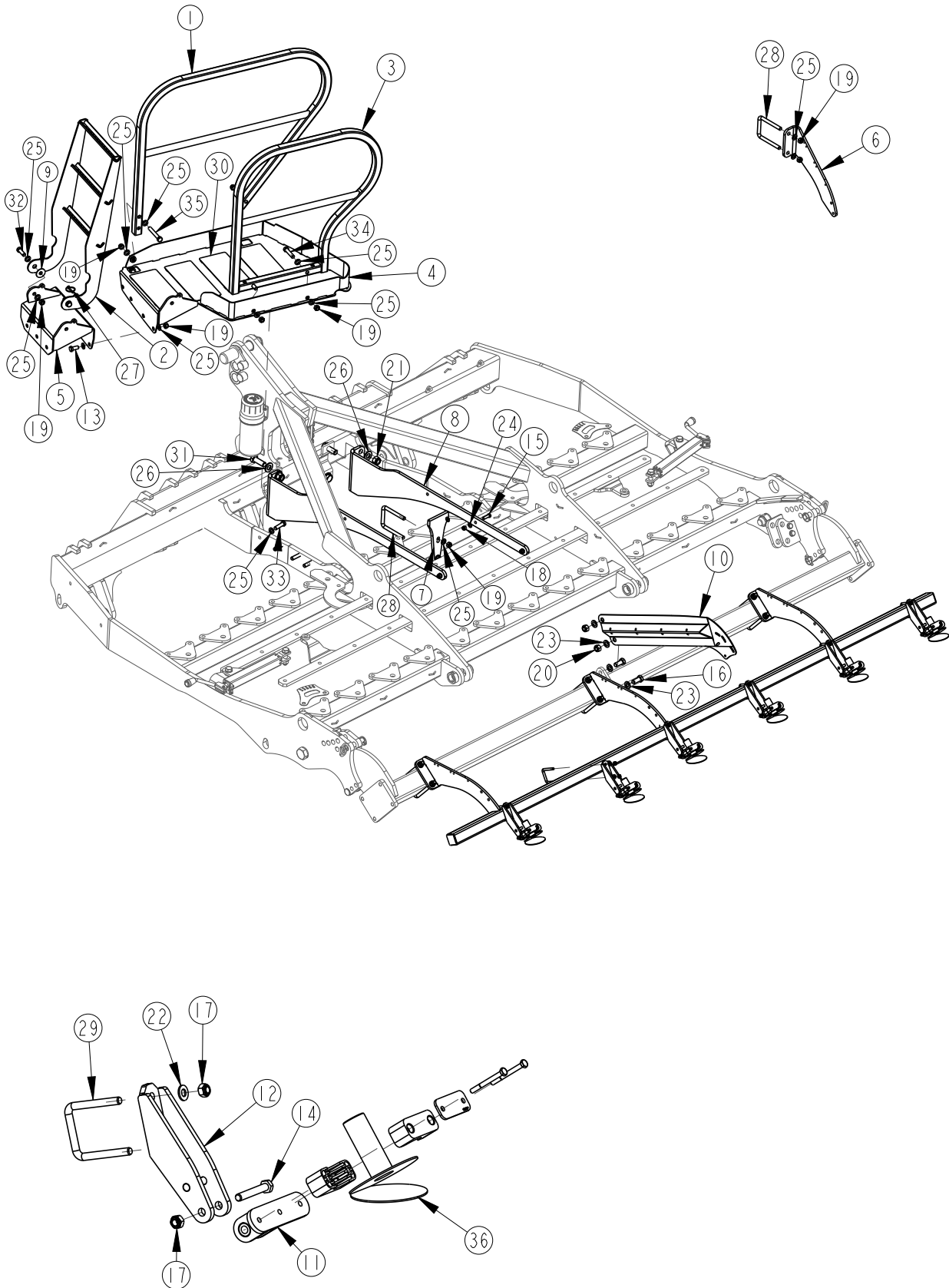


45012

**Aqueel II Roller**

<b>Item</b>	<b>Part No.</b>	<b>Part Description</b>	<b>Comments</b>
1	601-132H	ROLL TUBE 2900MM	TO SUIT 3.0m MACHINE
	604-055H	ROLL TUBE 3500MM	TO SUIT 3.5m MACHINE
2	601-147K	AQUEEL II WHEEL- 125MM	
3	601-148K	AQUEEL II WHEEL- 150MM	
4	601-398D	RING-RETAINING	
5	842-062C	HSFCHCS M12X1.75X50 GR10.9	

# OSR Platform Assembly (option)

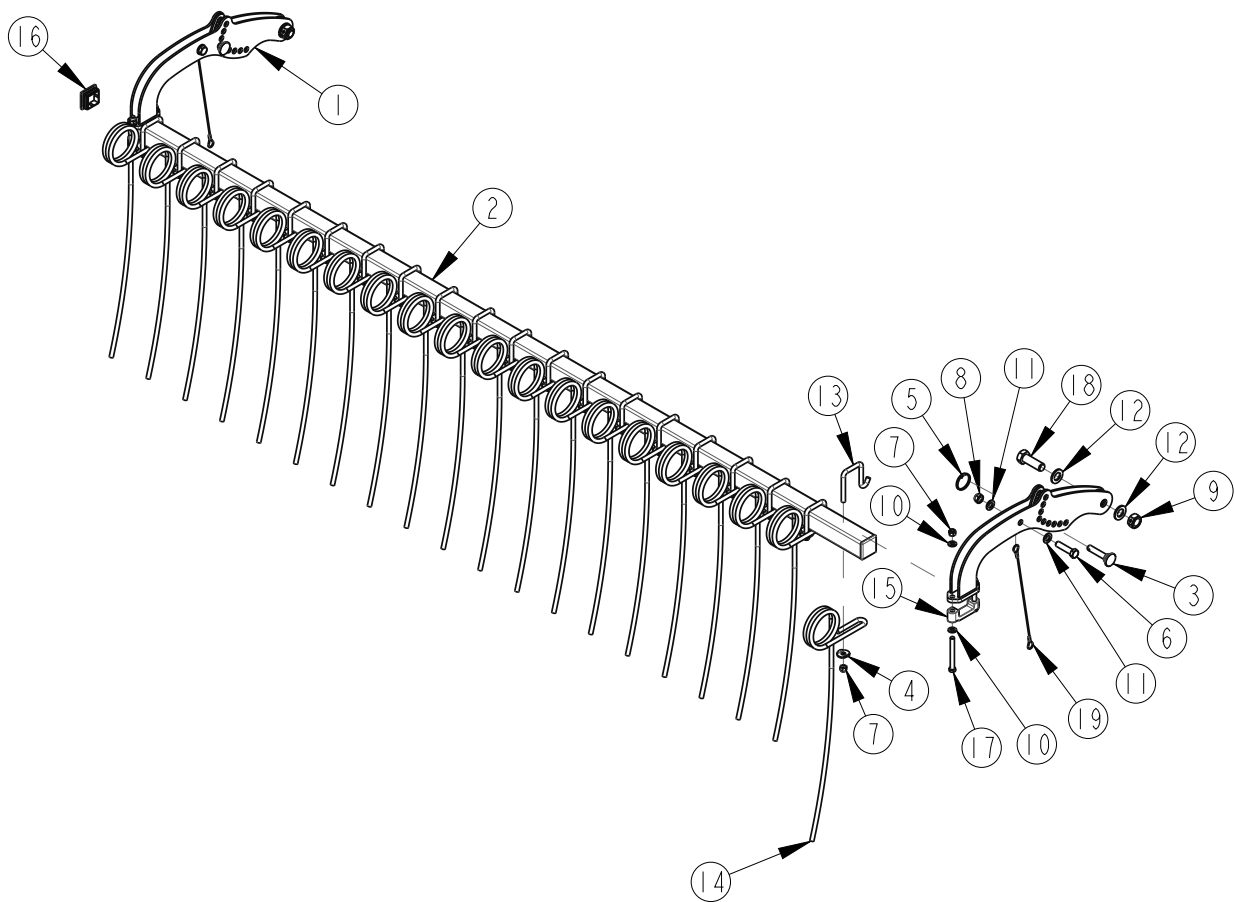


44015

**OSR Platform Assembly (option)**

Item	Part No.	Part Description	Comments
1	604-057H	HAND RAIL	
2	604-058H	PLATFORM LADDER	
3	604-059H	HAND RAIL	
4	604-060H	ACCESS PLATFORM OSR	
5	604-082H	EXTENSION SPACER	(NOT USED ON 3.0M MODEL)
6	604-248D	RADAR MOUNT - AQUEEL 2	
7	604-254D	SUPPORT SPIGOT	
8	604-280D	HOPPER MOUNT RH	
9	604-291D	BUSH Ø50X16.25X8	
10	604-346D	PLATE 6MM	
11	611-045H	OSR OUTLET MOUNT	
12	611-061H	OSR RAIL MOUNT	
13	802-966C	HHCS M16X2X35 GR8.8	
14	802-975C	HHCS M10X1.5X70 GR8.8	
15	802-977C	HHCS M12X1.75X40 GR8.8	
16	802-986C	HHCS M20X2.5X45 GR8.8	
17	803-280C	NUT HEX NYLOCK M10X1.5 PLT	
18	803-281C	NUT HEX NYLOCK M12X1.75 PLT	
19	803-282C	NUT HEX M16X2.00 NYLON INSERT	
20	803-393C	NUT HEX NYLOCK M20X2.5	
21	803-412C	NUT HEX M24X3 NYLON INSERT	
22	804-162C	WASHER FLAT M10 PLT	
23	804-244C	WASHER FLAT M20 PLT	
24	804-246C	WASHER FLAT M12 PLT	
25	804-247C	WASHER FLAT M16 PLT	
26	804-255C	WASHER FLAT M24 - OD50MM	
27	805-448C	LYNCH PIN CAT 1	
28	806-240C	U-BOLT M16X2 X 101 X 145	
29	806-242C	U-BOLT M10X1.5 X 61 X 83 GR8.8	
30	816-757C	3M SA GRIP STRIP	
31	842-014C	HHCS M24X3X70 GR8.8	
32	842-033C	HHCS M16X2X50 GR8.8	
33	842-049C	HHCS M16X2X60 GR8.8	
34	842-073C	HHCS M16X2X75 GR8.8	
35	842-081C	HHCS M16X2X110 GR8.8 SPTHD	
36	891-334C	DISTRIBUTOR HEAD	

### Following Harrow (option)



44018

**Following Harrow (option)**

Item	Part No.	Part Description	Comments
1	604-015H	HARROW ARM	
2	604-185D	60X60X5	
3	606-053D	PIN Ø16X73	
4	800-427C	WASHER - WEEDER TINE	
5	800-430C	CIRCLE COTTER 52X2.6	
6	802-891C	HHCS M16X2.0X65 GR8.8	
7	803-281C	NUT HEX NYLOCK M12X1.75 PLT	
8	803-282C	NUT HEX M16X2.00 NYLON INSERT	
9	803-400C	NUT LOCK M24X3	
10	804-246C	WASHER FLAT M12 PLT	
11	804-247C	WASHER FLAT M16 PLT	
12	804-251C	WASHER FLAT M24 PLT	
13	806-232C	U-BOLT M12 - HOOK	
14	807-316C	WEEDER TINE Ø12MM	
15	812-414C	SCRAPER CLAMP PLATE	
16	817-948C	END CAP 60X60 TUBE	
17	842-011C	HHCS M12X1.75X110 GR8.8	
18	842-014C	HHCS M24X3X70 GR8.8	
19	RAS001-01-531C	WIRE ROPE SLING	









<b>Great Plains UK Ltd.</b>	Tel.: +44(0)1529 304654
Woodbridge Road, Sleaford	Fax: +44(0)1529 413468
Lincolnshire, NG34 7EW	E-Mail: <a href="mailto:simba@greatplainsmfg.com">simba@greatplainsmfg.com</a>
United Kingdom	Web: <a href="http://www.greatplainsmfg.co.uk">www.greatplainsmfg.co.uk</a>