

# Parts Manual

Simba Flatliner 500 FW



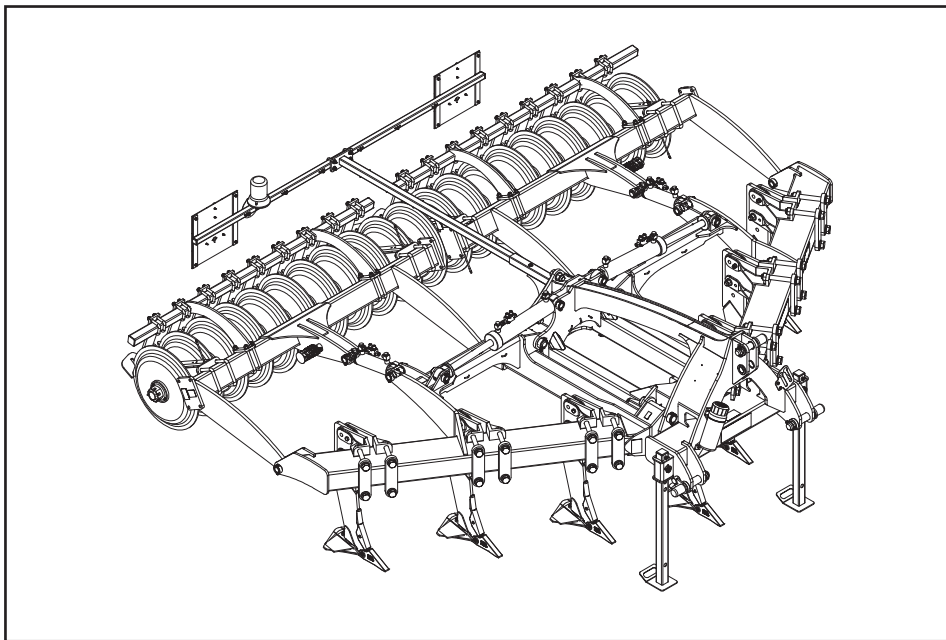
# Great Plains

Manufacturing, Inc.

[www.greatplainsmfg.com](http://www.greatplainsmfg.com)



*Read the operators manual entirely. When you see this symbol, the subsequent instructions and warnings are serious - follow without exception. Your life and the lives of others depend on it!*



*Illustrations may show optional equipment not supplied with standard unit.*

ORIGINAL INSTRUCTIONS

© Copyright 2013 Printed 04/02/13

611-131P

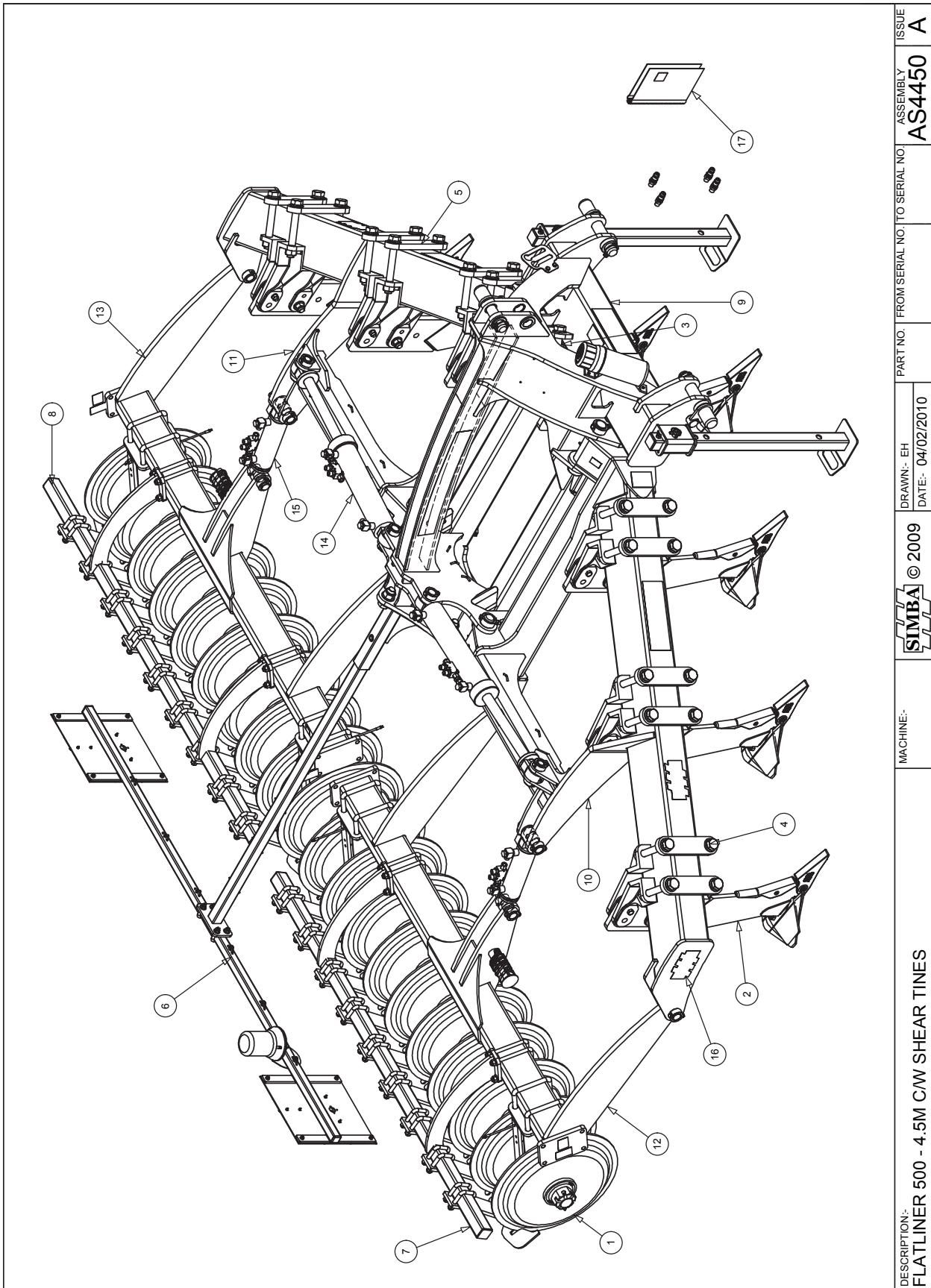
EN



## Parts & Assembly

### Table of contents

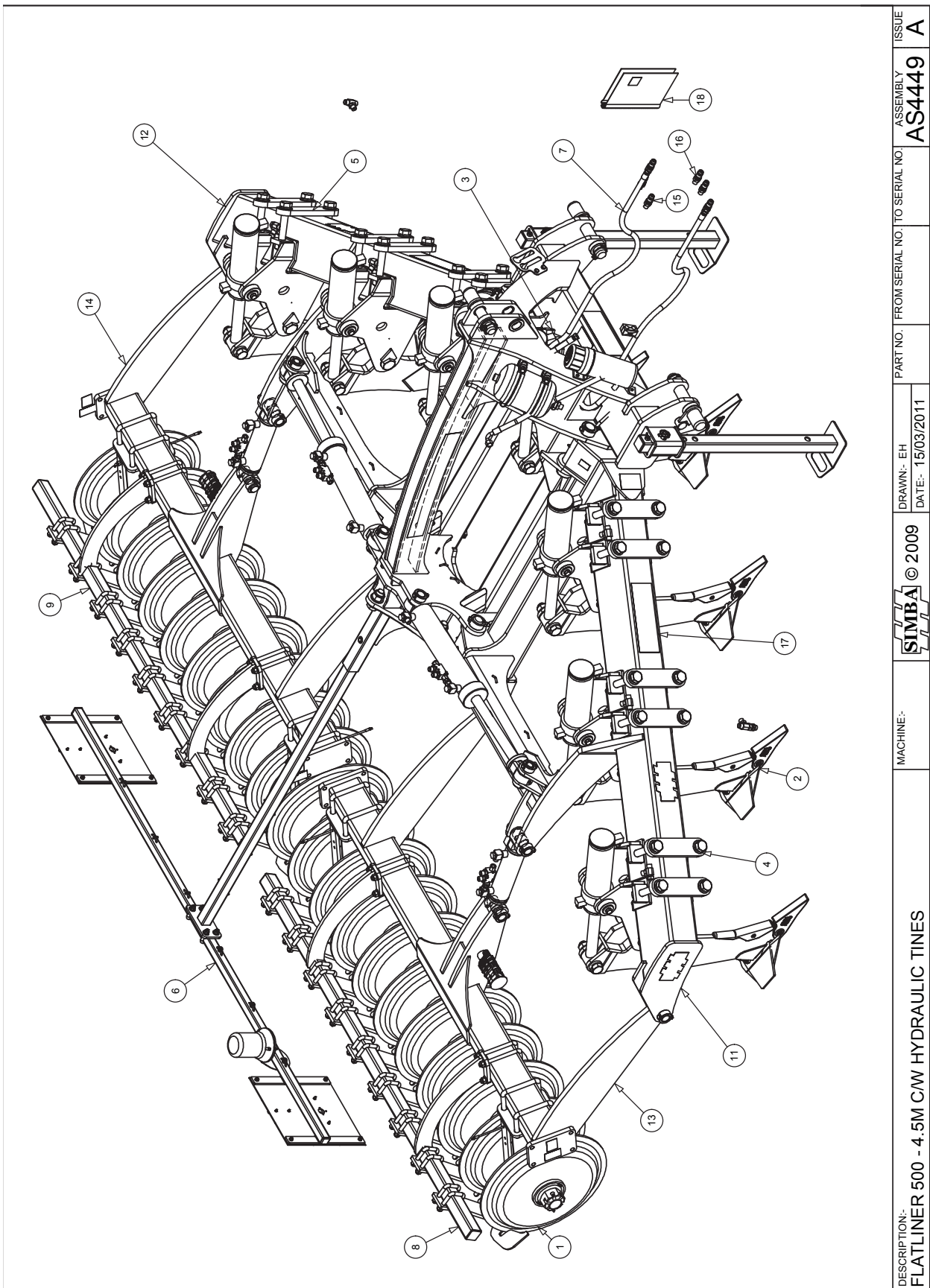
<b>General Assembly.....</b>	<b>4</b>
4.5m Complete Machine with Shear Tines .....	4
4.5m Complete Machine with Auto Reset Tines .....	6
Chassis Assembly .....	8
Wing Assembly .....	10
Wing Assembly .....	12
Depth Wheel Assembly RH .....	14
Depth Wheel Assembly LH.....	16
Lights .....	18
<b>Tines.....</b>	<b>20</b>
Shear Tine - Centre Tine Clamp Assembly.....	20
Shear Tine - Tine Clamp Assembly RH .....	22
Shear Tine - Tine Clamp Assembly LH.....	24
Shear Tine - Pro-Lift Tine Assembly .....	26
Auto Reset Tine - Centre Tine Clamp Assembly .....	28
Auto Reset Tine - Tine Clamp Assembly RH.....	30
Auto Reset Tine - Tine Clamp Assembly LH.....	32
Auto Reset Tine - Pro-Lift Tine Assembly .....	34
<b>Double Disc Roll.....</b>	<b>36</b>
Double Disc Roll Frame Assembly RH .....	36
Double Disc Roll Frame Assembly LH.....	38
Double Disc Pillar Assembly.....	40
Double Disc Axle Assembly 10 Rings.....	42
Scraper Rail RH.....	44
Scraper Rail LH .....	46
<b>Hydraulics .....</b>	<b>48</b>
Wing Circuit .....	48
Depth Control Circuit .....	50
Trip Reset Tine Circuit .....	52
Trip Reset Tine Circuit Schematic .....	54
<b>TurboJet.....</b>	<b>56</b>
TurboJet Kit Assembly.....	56
Distributor Head Assembly .....	58



DESCRIPTION: FLATLINER 500 - 4.5M CW SHEAR TINES	MACHINE:-	SIMBA © 2009	DRAWN:- EH DATE:- 04/02/2010	PART NO. FROM SERIAL NO. TO SERIAL NO.	ASSEMBLY AS4450	ISSUE A
---	-----------	--------------	---------------------------------	--	--------------------	------------

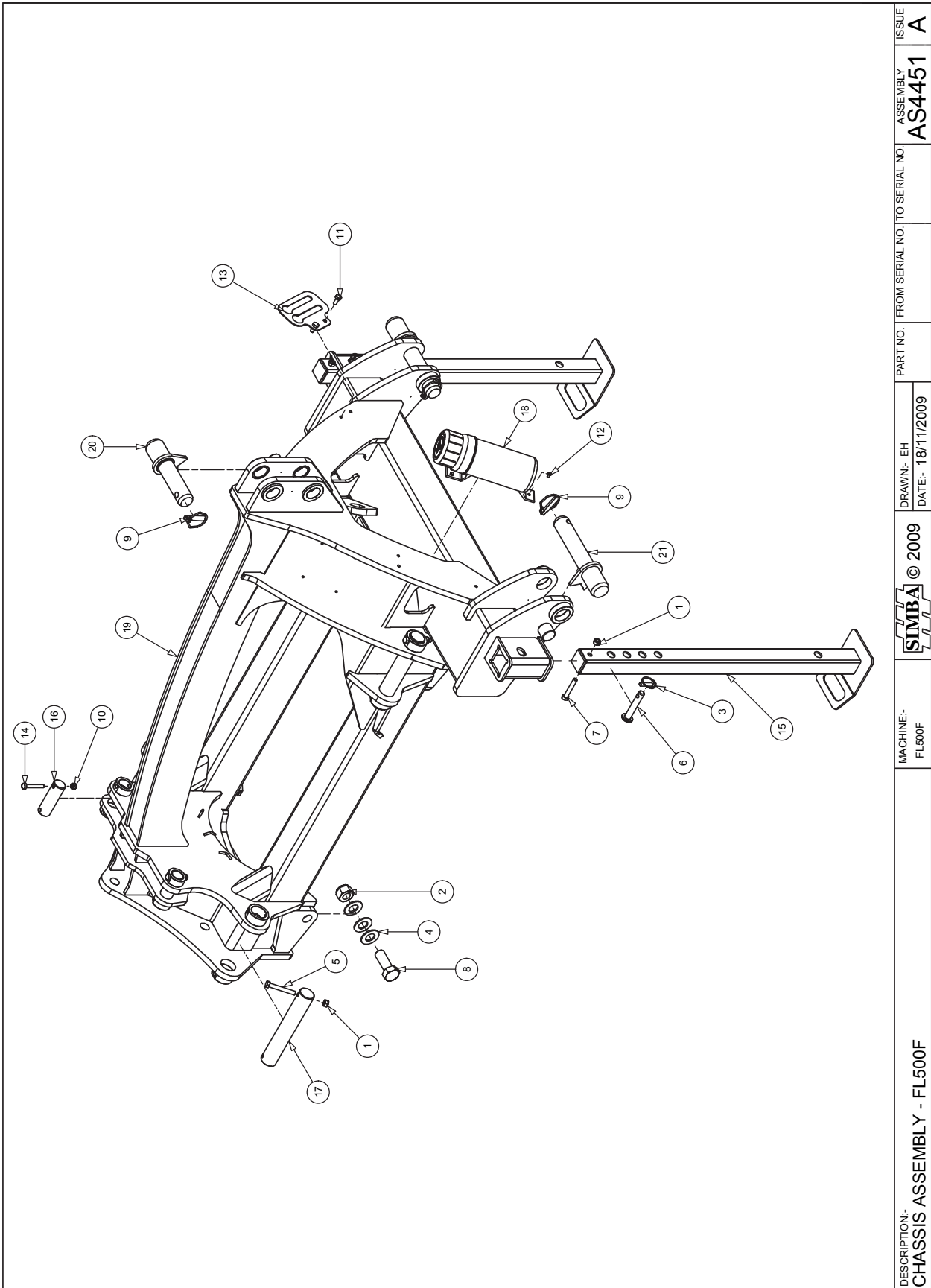


AS4450		FLATLINER 500 - 4.5m C/W SHEAR TINES		
ITEM	PART NO	DESCRIPTION	QTY	COMMENTS
1	AS0949	AXLE ASSEMBLY - DD600 10 RINGS	2	
2	AS1266	TINE ASSEMBLY PROLIFT	7	
3	AS3857	TINE CLAMP ASSEMBLY - CENTRE	1	
4	AS3858	TINE CLAMP ASSEMBLY - RH	3	
5	AS3859	TINE CLAMP ASSEMBLY - LH	3	
6	AS3872	LIGHT MOUNT ASSEMBLY - NO OSR	1	
7	AS4002	SCRAPER RAIL ASSEMBLY RH - DD600	1	
8	AS4003	SCRAPER RAIL ASSEMBLY LH - DD600	1	
9	AS4451	CHASSIS ASSEMBLY - FL500F	1	
10	AS4452	WING ASSEMBLY RH - 4.5m	1	
11	AS4453	WING ASSEMBLY LH - 4.5m	1	
12	AS4454	ROLL FRAME ASSEMBLY RH - 4.5m	1	
13	AS4455	ROLL FRAME ASSEMBLY LH - 4.5m	1	
14	AS4459	WING FOLD HYDRAULIC LAYOUT	1	
15	AS4460	DEPTH CONTROL HYDRAULIC LAYOUT	1	
16	AS4461	STICKER LAYOUT - FL500F 4.5	1	
17	P18414	FLATLINER 500F-MANUAL	1	
18				
19				
20				
21				
22				
23				
24				
25				
26				
27				
28				
29				
30				
31				
32				
33				
34				
35				
36				
37				
38				
39				
40				
41				
42				
43				
44				
45				
46				
47				
48				
49				
50				

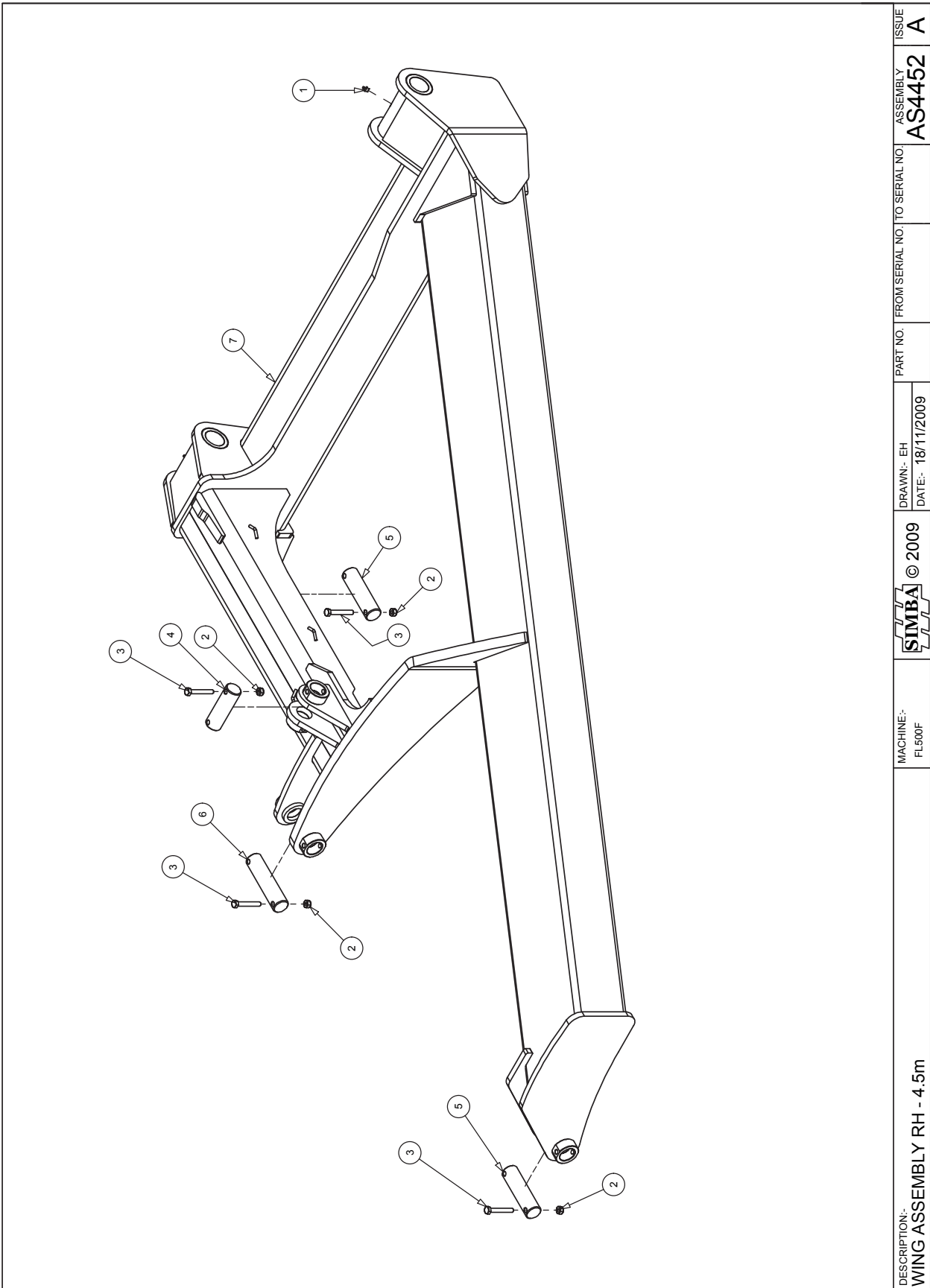


ISSUE <b>A</b>	ASSEMBLY <b>AS4449</b>	PART NO. FROM SERIAL NO. TO SERIAL NO.	DRAWN: EH DATE: 15/03/2011	 © 2009	MACHINE:	DESCRIPTION:- <b>FLATLINER 500 - 4.5M C/W HYDRAULIC TINES</b>
-------------------	---------------------------	--	-------------------------------	--	----------	--

AS4449		FLATLINER 500 - 4.5m C/W HYDRAULIC TINES		
ITEM	PART NO	DESCRIPTION	QTY	COMMENTS
1	AS0949	AXLE ASSEMBLY - DD600 10 RINGS	2	
2	AS3860	TINE ASSEMBLY - AUTO RESET	7	
3	AS3861	F/W AUTO RESET TINE CLAMP CENTRE	1	
4	AS3862	TINE ASSEMBLY RH - AUTO RESET FL500	3	
5	AS3863	TINE ASSEMBLY LH - AUTO RESET FL500	3	
6	AS3872	LIGHT MOUNT ASSEMBLY - NO OSR	1	
7	AS3875	AUTO RESET TINE HYDRAULIC CIRCUIT	1	
8	AS4002	SCRAPER RAIL ASSEMBLY RH - DD600	1	
9	AS4003	SCRAPER RAIL ASSEMBLY LH - DD600	1	
10	AS4451	CHASSIS ASSEMBLY - FL500F	1	
11	AS4452	WING ASSEMBLY RH - 4.5m	1	
12	AS4453	WING ASSEMBLY LH - 4.5m	1	
13	AS4454	ROLL FRAME ASSEMBLY RH - 4.5m	1	
14	AS4455	ROLL FRAME ASSEMBLY LH - 4.5m	1	
15	AS4459	WING FOLD HYDRAULIC LAYOUT	1	
16	AS4460	DEPTH CONTROL HYDRAULIC LAYOUT	1	
17	AS4461	STICKER LAYOUT - FL500F 4.5m	1	
18	P18414	FLATLINER 500F-MANUAL	1	
19				
20				
21				
22				
23				
24				
25				
26				
27				
28				
29				
30				
31				
32				
33				
34				
35				
36				
37				
38				
39				
40				
41				
42				
43				
44				
45				
46				
47				
48				
49				
50				

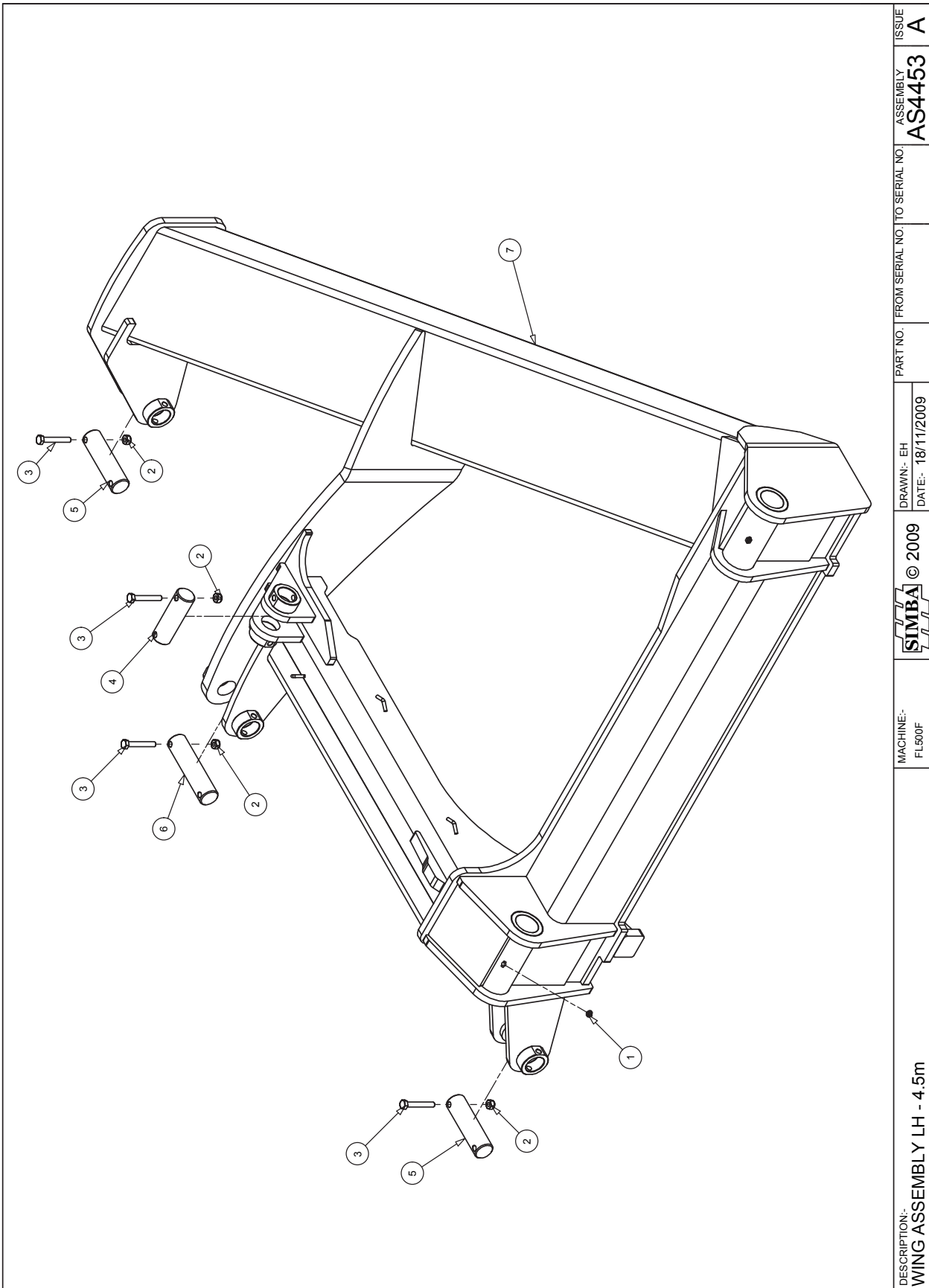


AS4451		CHASSIS ASSEMBLY - FL500F		
ITEM	PART NO	DESCRIPTION	QTY	COMMENTS
1	P02007	NUT LOCK M12	6	
2	P02011	NUT LOCK M30	2	
3	P02484	LYNCH PIN CAT 2	2	
4	P02608	WASHER FLAT M30	6	
5	P02652	BOLT M12x90 GR. 8.8	4	
6	P02834	PIN - Ø25x170	2	
7	P03093	BOLT M12x75 GR. 8.8	2	
8	P03471	BOLT M30x80 GR. 8.8	2	
9	P04423	LYNCH PIN CAT 3	3	Ø16 LOCKING
10	P05534	NUT LOCK M10	2	
11	P06651	BOLT M10x25 GR. 8.8	2	
12	P06857	BOLT M6x12 GR. 8.8	3	
13	P09092	HOSE STOWAGE PLATE	1	
14	P14520	BOLT M10x70 GR8.8	2	
15	P17272	STAND - FLATLINER	2	
16	P17579	PIN Ø40x125 TYPE P	2	
17	P17609	PIN Ø50x300 TYPE P	4	
18	P17815	MANUAL HOLDER - COMPLETE	1	
19	P18276	CHASSIS - FL500F	1	
20	P18390	TOP LINK PIN CAT 4	1	
21	P18393	LOWER LINK PIN CAT 4	2	
22				
23				
24				
25				
26				
27				
28				
29				
30				
31				
32				
33				
34				
35				
36				
37				
38				
39				
40				
41				
42				
43				
44				
45				
46				
47				
48				
49				
50				



DESCRIPTION: WING ASSEMBLY RH - 4.5m	MACHINE: FL500F	© 2009	DRAWN:- EH DATE:- 18/11/2009	PART NO.   FROM SERIAL NO.   TO SERIAL NO.	ASSEMBLY AS4452	ISSUE A
---	--------------------	--------	---------------------------------	--	--------------------	------------

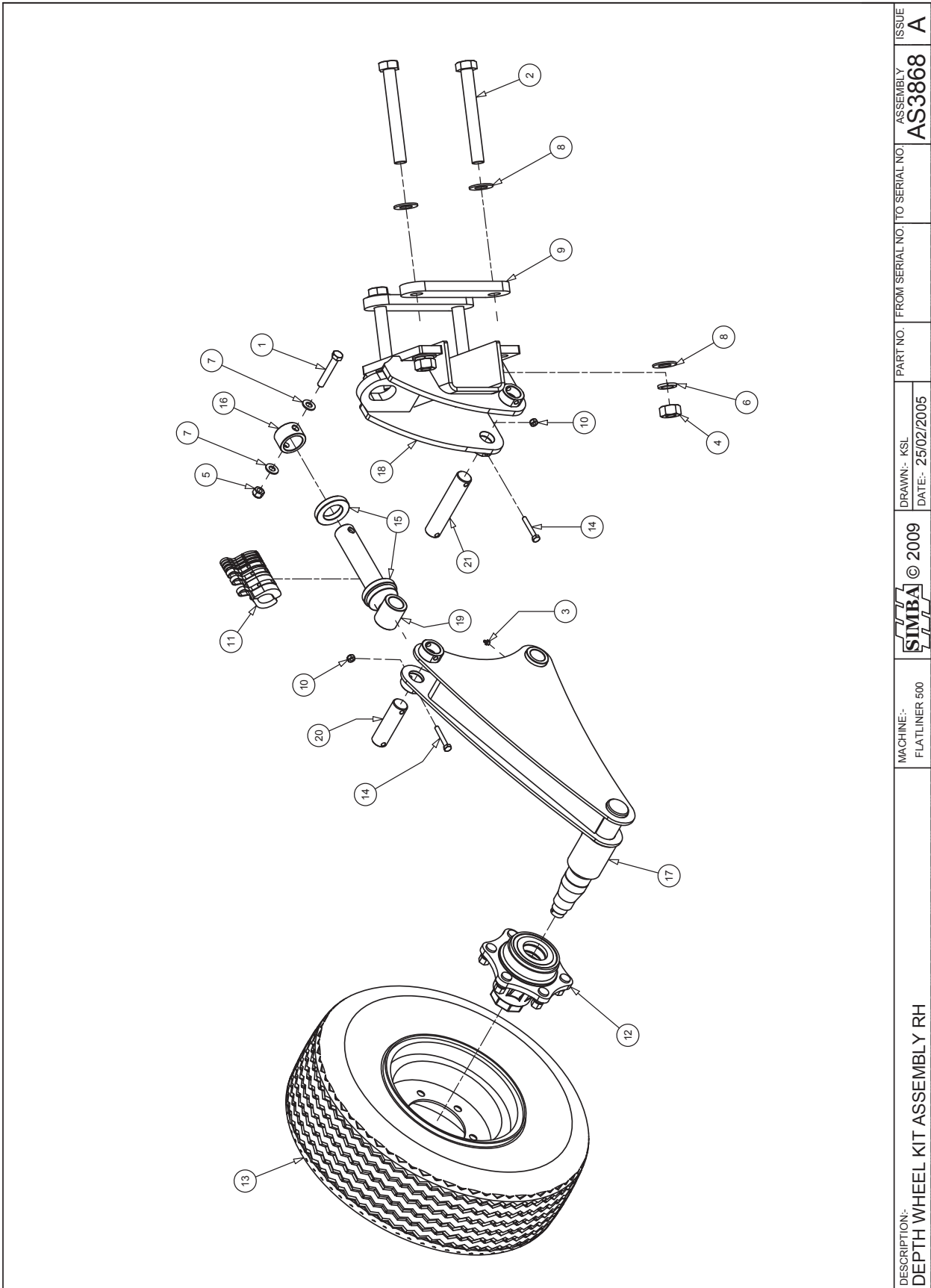
AS4452		WING ASSEMBLY RH - 4.5m		
ITEM	PART NO	DESCRIPTION	QTY	COMMENTS
1	P00071	NIPPLE - GREASE	2	
2	P05534	NUT LOCK M10	4	
3	P14520	BOLT M10x70 GR8.8	4	
4	P17579	PIN Ø40x125 TYPE P	1	
5	P17581	PIN Ø40x145 TYPE P	2	
6	P17583	PIN Ø40x165 TYPE P	1	
7	P18277	WING FRAME RH - 4.5m	1	
8				
9				
10				
11				
12				
13				
14				
15				
16				
17				
18				
19				
20				
21				
22				
23				
24				
25				
26				
27				
28				
29				
30				
31				
32				
33				
34				
35				
36				
37				
38				
39				
40				
41				
42				
43				
44				
45				
46				
47				
48				
49				
50				



DESCRIPTION: WING ASSEMBLY LH - 4.5m	MACHINE: FL500F	© 2009	DRAWN:- EH DATE:- 18/11/2009	PART NO.   FROM SERIAL NO.   TO SERIAL NO.	ASSEMBLY AS4453	ISSUE A
---	--------------------	--------	---------------------------------	--	--------------------	------------

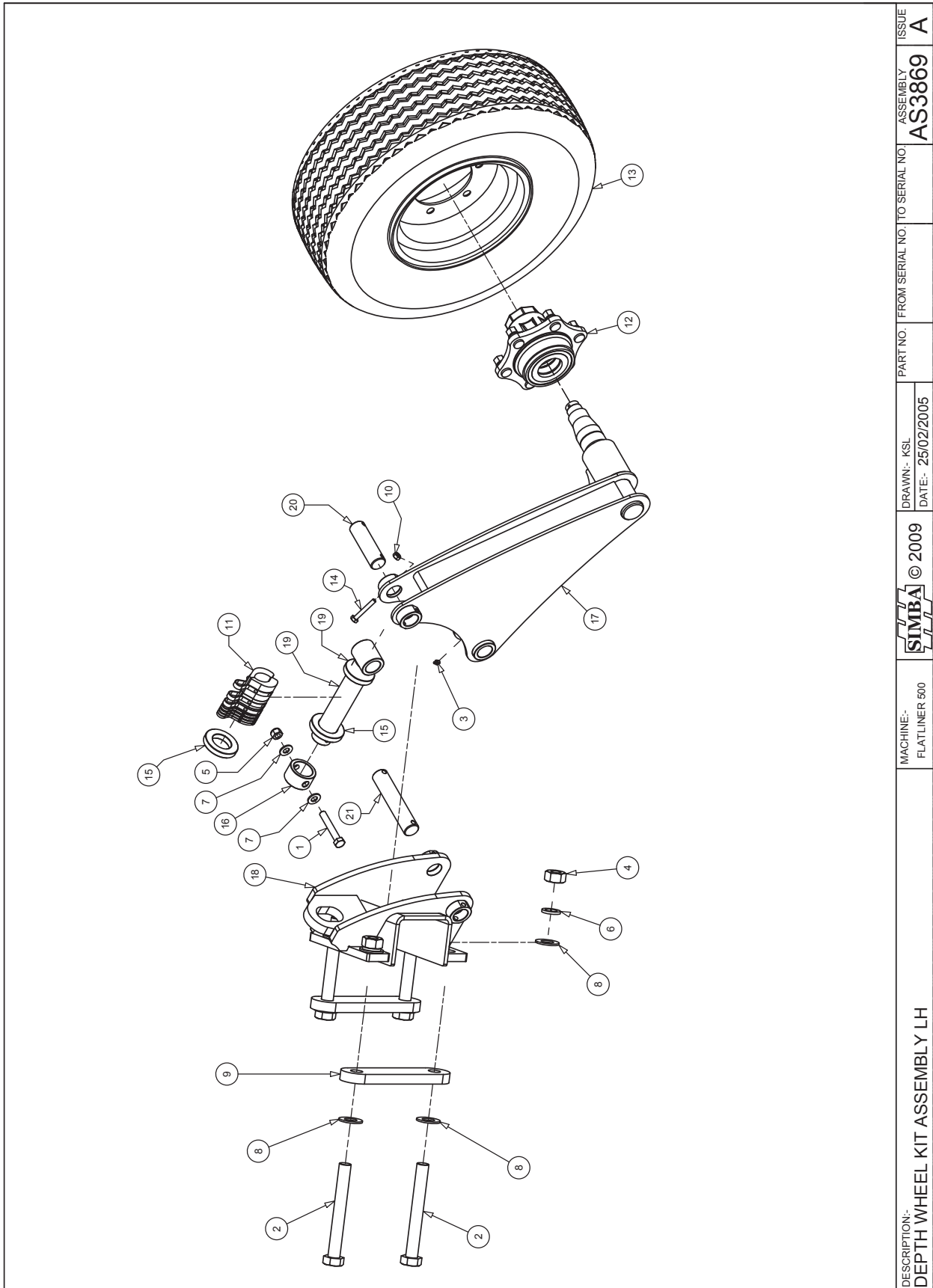


AS4453		WING ASSEMBLY LH - 4.5m		
ITEM	PART NO	DESCRIPTION	QTY	COMMENTS
1	P00071	NIPPLE - GREASE	2	
2	P05534	NUT LOCK M10	4	
3	P14520	BOLT M10x70 GR8.8	4	
4	P17579	PIN Ø40x125 TYPE P	1	
5	P17581	PIN Ø40x145 TYPE P	2	
6	P17583	PIN Ø40x165 TYPE P	1	
7	P18278	WING FRAME LH - 4.5m	1	
8				
9				
10				
11				
12				
13				
14				
15				
16				
17				
18				
19				
20				
21				
22				
23				
24				
25				
26				
27				
28				
29				
30				
31				
32				
33				
34				
35				
36				
37				
38				
39				
40				
41				
42				
43				
44				
45				
46				
47				
48				
49				
50				



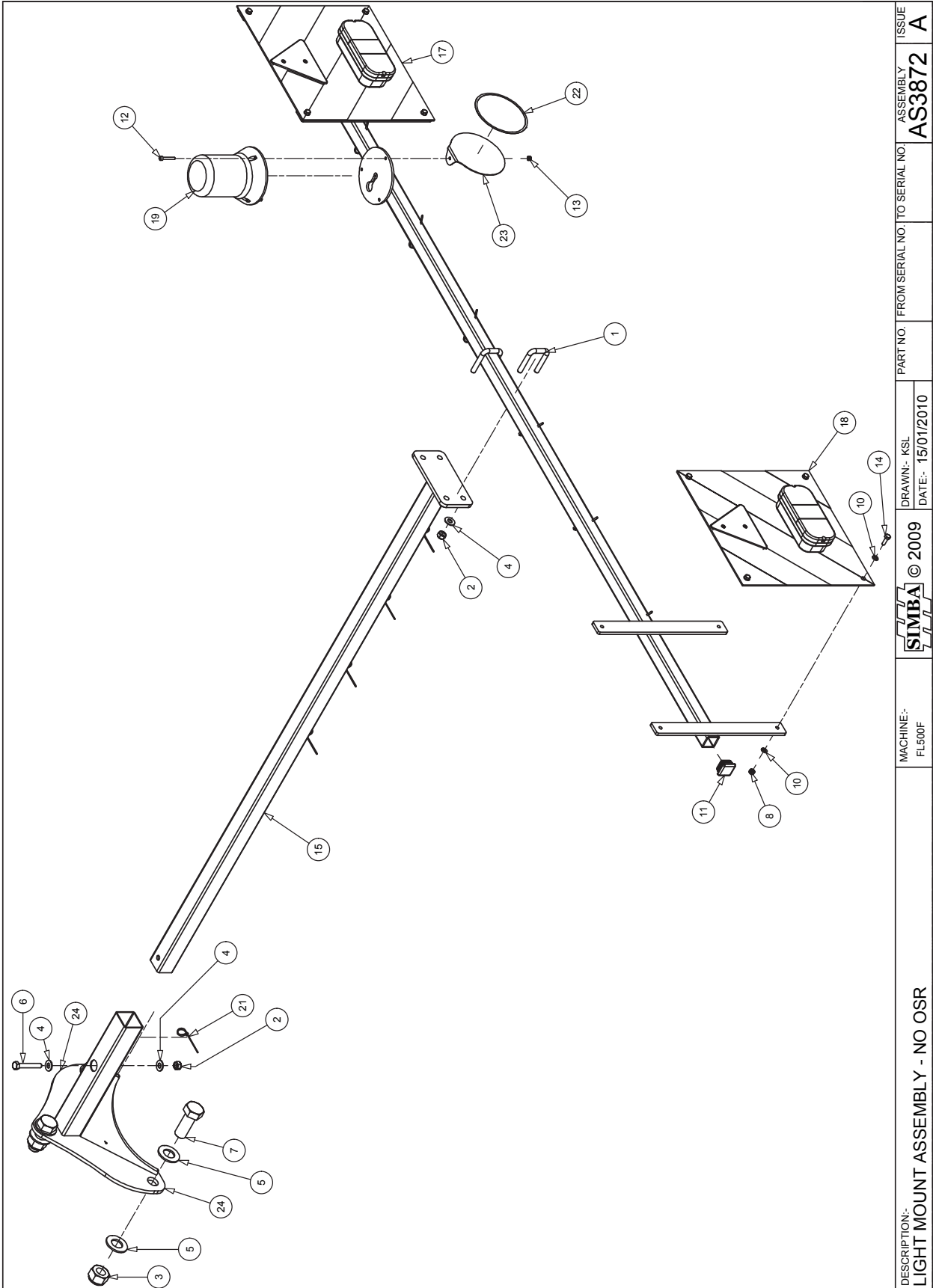
DESCRIPTION: DEPTH WHEEL KIT ASSEMBLY RH	MACHINE:- FLATLINER 500	© 2009	DRAWN:- KSL DATE:- 25/02/2005	PART NO.	FROM SERIAL NO. TO SERIAL NO.	ASSEMBLY AS3868	ISSUE A
---	----------------------------	--------	----------------------------------	----------	-------------------------------	--------------------	------------

AS3868		DEPTH WHEEL KIT ASSEMBLY RH		
ITEM	PART NO	DESCRIPTION	QTY	COMMENTS
1	P00010	BOLT M16x100 GR. 8.8	1	
2	P00056	BOLT M30x240 GR. 8.8	4	
3	P00071	NIPPLE - GREASE	1	
4	P00896	NUT PLAIN M30	4	
5	P02008	NUT LOCK M16 'TYPE T'	1	
6	P02598	WASHER SPRING M30	4	
7	P02602	WASHER FLAT M16	2	
8	P02608	WASHER FLAT M30	8	
9	P04675	RETAINING PLATE	2	
10	P05534	NUT LOCK M10	2	
11	P08802	SHIM KIT 7 PIECE	1	
12	P13033	HUB ASSEMBLY 6 STUD COMPLETE	1	
13	P13253	WHEEL 10.0/75-15 6 STUD RIM	1	
14	P14520	BOLT M10x70 GR8.8	2	
15	P16850	SHIM COLLAR	2	
16	P16851	SHIM END BLOCK	1	
17	P17491	WHEEL ARM RH	1	
18	P17493	WHEEL ARM MOUNT RH	1	
19	P17499	DEPTH ROD - 290mm	1	
20	P17580	PIN Ø40x135	1	
21	P17585	PIN Ø40x200	1	
22				
23				
24				
25				
26				
27				
28				
29				
30				
31				
32				
33				
34				
35				
36				
37				
38				
39				
40				
41				
42				
43				
44				
45				
46				
47				
48				
49				
50				



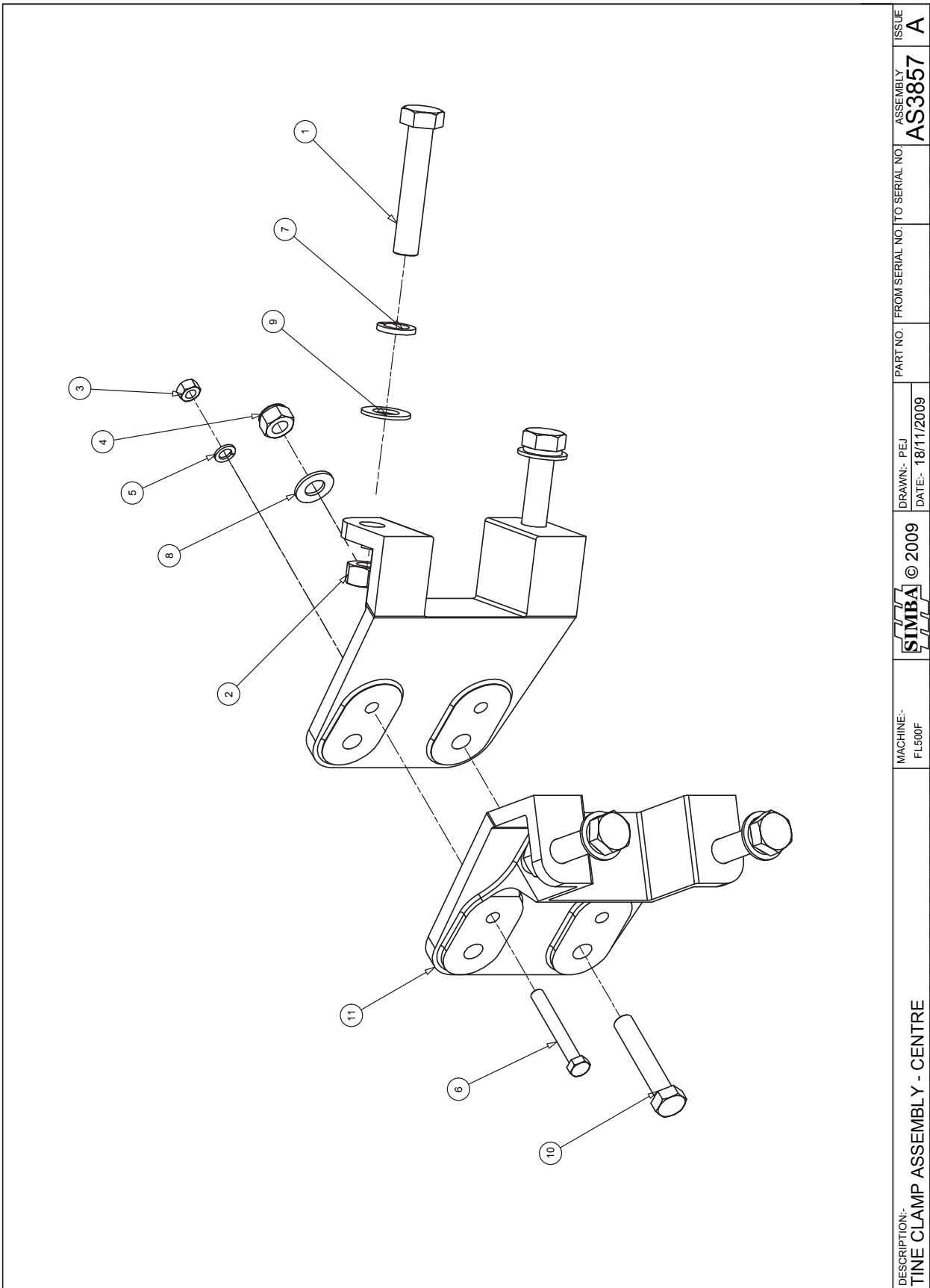
DESCRIPTION: DEPTH WHEEL KIT ASSEMBLY LH	MACHINE:- FLATLINER 500	DRAWN:- KSL DATE:- 25/02/2005	SIMBA © 2009	PART NO. FROM SERIAL NO. TO SERIAL NO.	ASSEMBLY NO. AS3869 ISSUE A
---	----------------------------	----------------------------------	--------------	--	--------------------------------

AS3869		DEPTH WHEEL KIT ASSEMBLY LH		
ITEM	PART NO	DESCRIPTION	QTY	COMMENTS
1	P00010	BOLT M16x100 GR. 8.8	1	
2	P00056	BOLT M30x240 GR. 8.8	4	
3	P00071	NIPPLE - GREASE	1	
4	P00896	NUT PLAIN M30	4	
5	P02008	NUT LOCK M16 'TYPE T'	1	
6	P02598	WASHER SPRING M30	4	
7	P02602	WASHER FLAT M16	2	
8	P02608	WASHER FLAT M30	8	
9	P04675	RETAINING PLATE	2	
10	P05534	NUT LOCK M10	2	
11	P08802	SHIM KIT 7 PIECE	1	
12	P13033	HUB ASSEMBLY 6 STUD COMPLETE	1	
13	P13253	WHEEL 10.0/75-15 6 STUD RIM	1	
14	P14520	BOLT M10x70 GR8.8	2	
15	P16850	SHIM COLLAR	2	
16	P16851	SHIM END BLOCK	1	
17	P17492	WHEEL ARM LH	1	
18	P17494	WHEEL ARM MOUNT LH	1	
19	P17499	DEPTH ROD - 290mm	1	
20	P17580	PIN Ø40x135	1	
21	P17585	PIN Ø40x200	1	
22				
23				
24				
25				
26				
27				
28				
29				
30				
31				
32				
33				
34				
35				
36				
37				
38				
39				
40				
41				
42				
43				
44				
45				
46				
47				
48				
49				
50				



DESCRIPTION:- LIGHT MOUNT ASSEMBLY - NO OSR	MACHINE:- FL500F	SIMBA © 2009	DRAWN:- KSL DATE:- 15/01/2010	PART NO.   FROM SERIAL NO.   TO SERIAL NO.	ASSEMBLY AS3872	ISSUE A
--	---------------------	--------------	----------------------------------	--	--------------------	------------

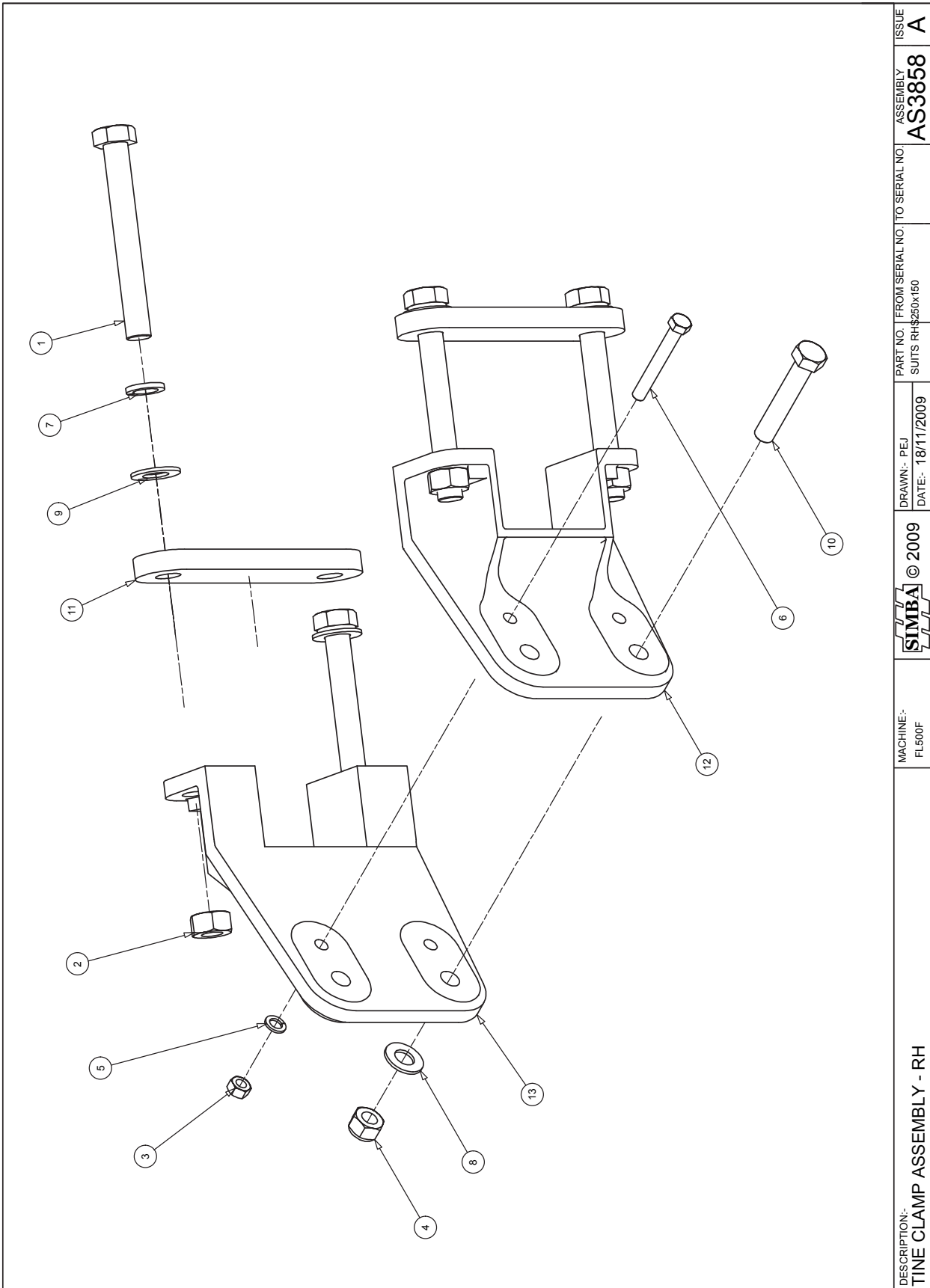
AS3872		LIGHT MOUNT ASSEMBLY - NO OSR		
ITEM	PART NO	DESCRIPTION	QTY	COMMENTS
1	P00002	BOLT U M12 GR8.8 70x54	2	
2	P02007	NUT LOCK M12	5	
3	P02011	NUT LOCK M30	3	
4	P02601	WASHER FLAT M12	6	
5	P02608	WASHER FLAT M30	6	
6	P03093	BOLT M12x75 GR. 8.8	1	
7	P03471	BOLT M30x80 GR. 8.8	3	
8	P04754	NUT LOCK M8	8	
9	P05400	WASHER FLAT M6	2	
10	P05535	WASHER FLAT M8	16	
11	P07543	PLASTIC END CAP 40x40	2	
12	P07980	CAPSCREW M6x40 GR10.9	3	
13	P07981	NUT LOCK M6	3	
14	P09597	BOLT M8x25 GR. 8.8	8	
15	P14971	LIGHT MOUNT	1	
16	P14973	LIGHT BEAM	1	
17	P15562	LIGHT BOARD RRH	1	
18	P15563	LIGHT BOARD RLH	1	
19	P15567	FLASHING BEACON	1	
20	P15941	WIRING LOOM - X-PRESS 4.0m FW	1	
21	P16070	ZIP TIE - BLACK 4x125	12	
22	P16838	DECAL-SPEED	1	
23	P17298	DECAL MOUNT - SPEED 90°	1	
24	P17482	LIGHT MOUNT BASE	1	
25				
26				
27				
28				
29				
30				
31				
32				
33				
34				
35				
36				
37				
38				
39				
40				
41				
42				
43				
44				
45				
46				
47				
48				
49				
50				



DESCRIPTION:- TINE CLAMP ASSEMBLY - CENTRE	MACHINE:- FL500F	 © 2009	DRAWN:- PEJ DATE:- 18/11/2009	PART NO. FROM SERIAL NO. TO SERIAL NO.	ASSEMBLY AS3857	ISSUE A
---	---------------------	--	----------------------------------	--	--------------------	------------

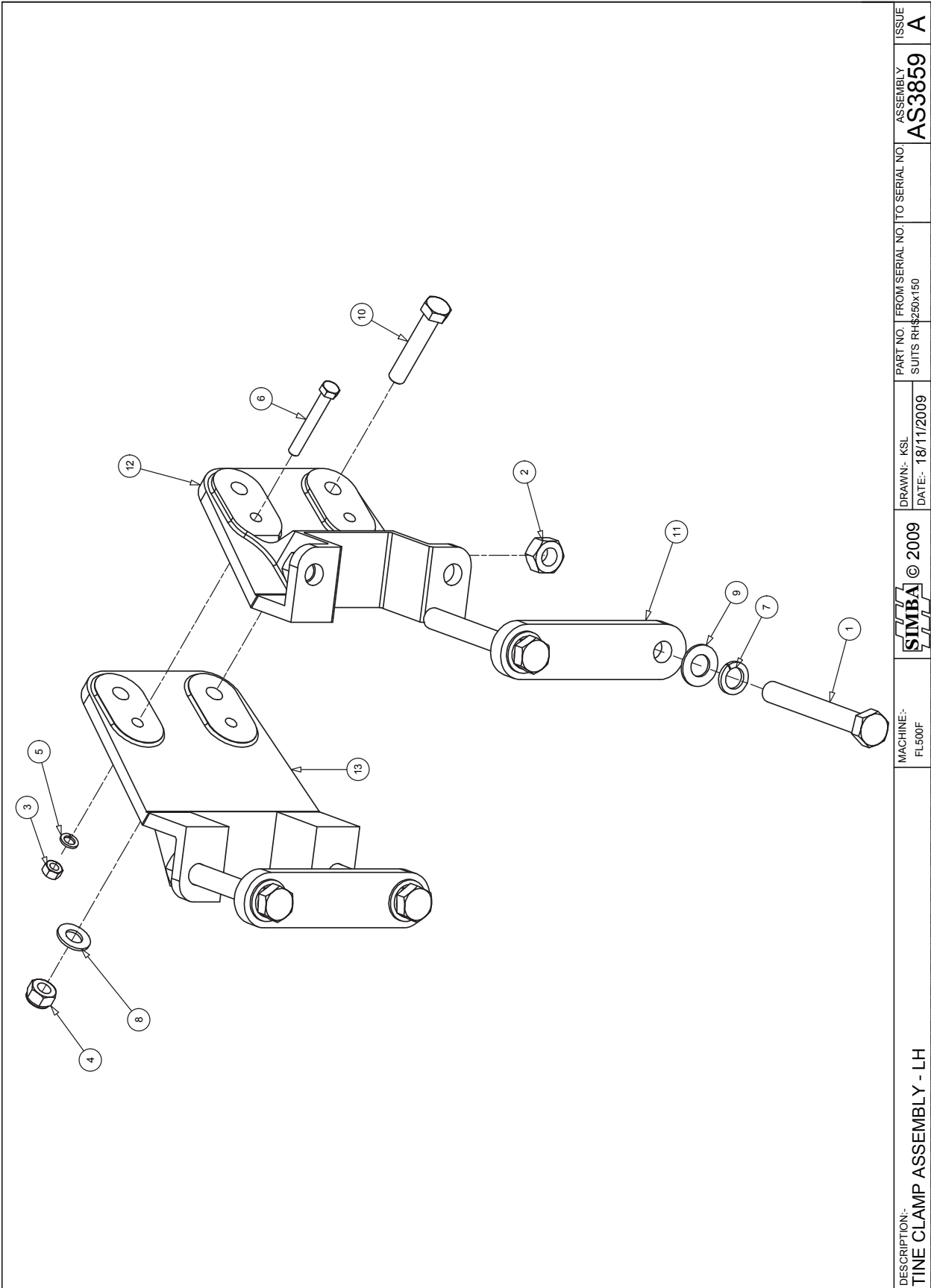


AS3857		TINE CLAMP ASSEMBLY - CENTRE		
ITEM	PART NO	DESCRIPTION	QTY	COMMENTS
1	P00034	BOLT M30x160 GR. 8.8	4	
2	P00896	NUT PLAIN M30	4	
3	P01358	NUT PLAIN M16	1	
4	P02010	NUT LOCK M24	1	
5	P02038	WASHER SPRING M16	1	
6	P02318	BOLT M16x120 GR. 8.8	1	
7	P02598	WASHER SPRING M30	4	
8	P02604	WASHER FLAT M24 Ø50	1	
9	P02608	WASHER FLAT M30	4	
10	P04536	BOLT M24x130 GR. 8.8	1	
11	P06510	CLAMP - SHORT	2	
12				
13				
14				
15				
16				
17				
18				
19				
20				
21				
22				
23				
24				
25				
26				
27				
28				
29				
30				
31				
32				
33				
34				
35				
36				
37				
38				
39				
40				
41				
42				
43				
44				
45				
46				
47				
48				
49				
50				



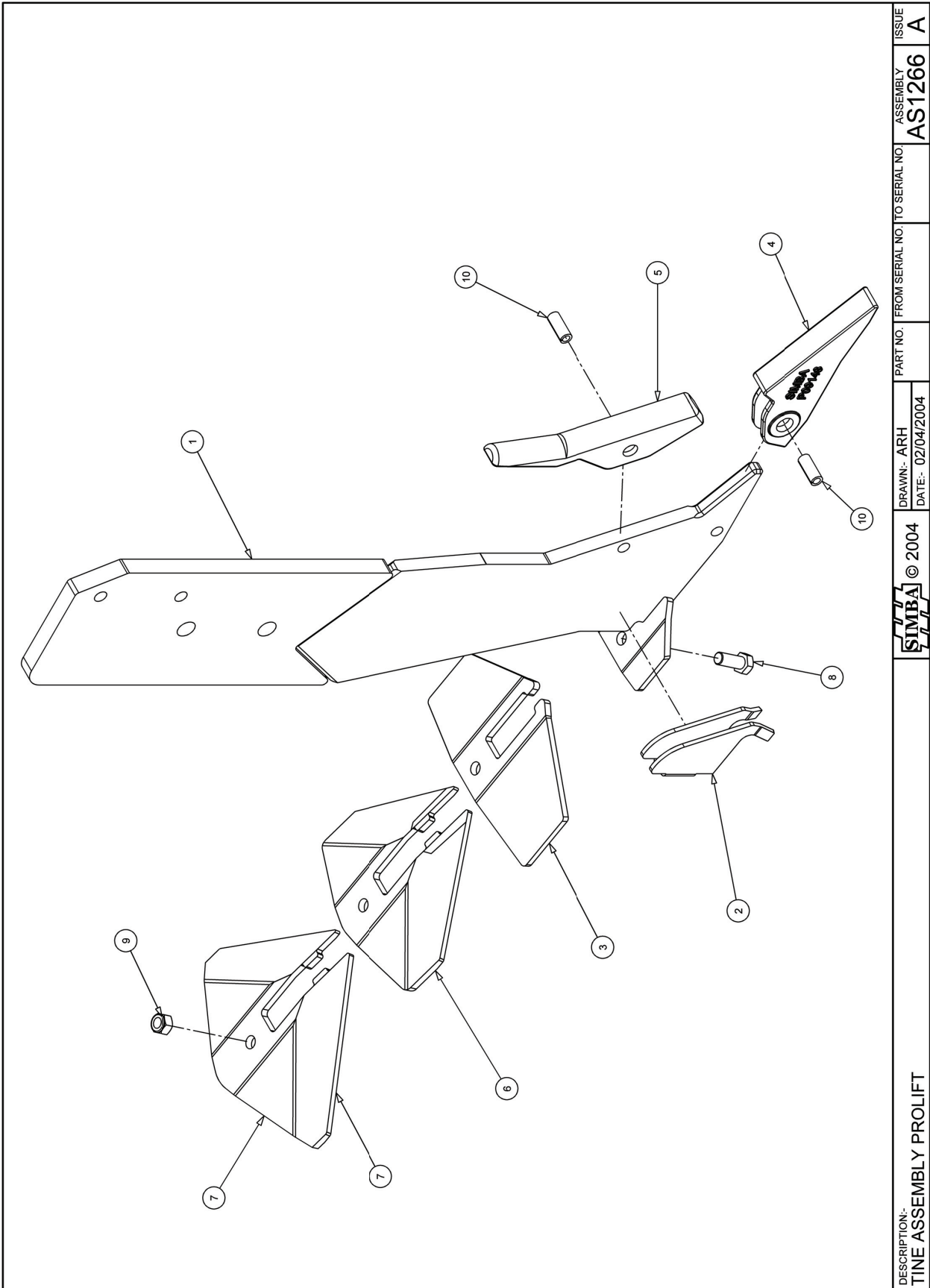
DESCRIPTION:- <b>TINE CLAMP ASSEMBLY - RH</b>	MACHINE:- FL500F	© 2009	DRAWN:- PEJ DATE:- 18/11/2009	PART NO.   FROM SERIAL NO.   TO SERIAL NO. SUITS RH#250x150	ASSEMBLY <b>AS3858</b>	ISSUE <b>A</b>
--	---------------------	--------	----------------------------------	--	---------------------------	-------------------

AS3858		TINE CLAMP ASSEMBLY - RH		
ITEM	PART NO	DESCRIPTION	QTY	COMMENTS
1	P00056	BOLT M30x240 GR. 8.8	4	
2	P00896	NUT PLAIN M30	4	
3	P01358	NUT PLAIN M16	1	
4	P02010	NUT LOCK M24	1	
5	P02038	WASHER SPRING M16	1	
6	P02318	BOLT M16x120 GR. 8.8	1	
7	P02598	WASHER SPRING M30	4	
8	P02604	WASHER FLAT M24 Ø50	1	
9	P02608	WASHER FLAT M30	4	
10	P04536	BOLT M24x130 GR. 8.8	1	
11	P04675	RETAINING PLATE	2	
12	P06510	CLAMP - SHORT	1	
13	P06511	CLAMP - LONG	1	
14				
15				
16				
17				
18				
19				
20				
21				
22				
23				
24				
25				
26				
27				
28				
29				
30				
31				
32				
33				
34				
35				
36				
37				
38				
39				
40				
41				
42				
43				
44				
45				
46				
47				
48				
49				
50				



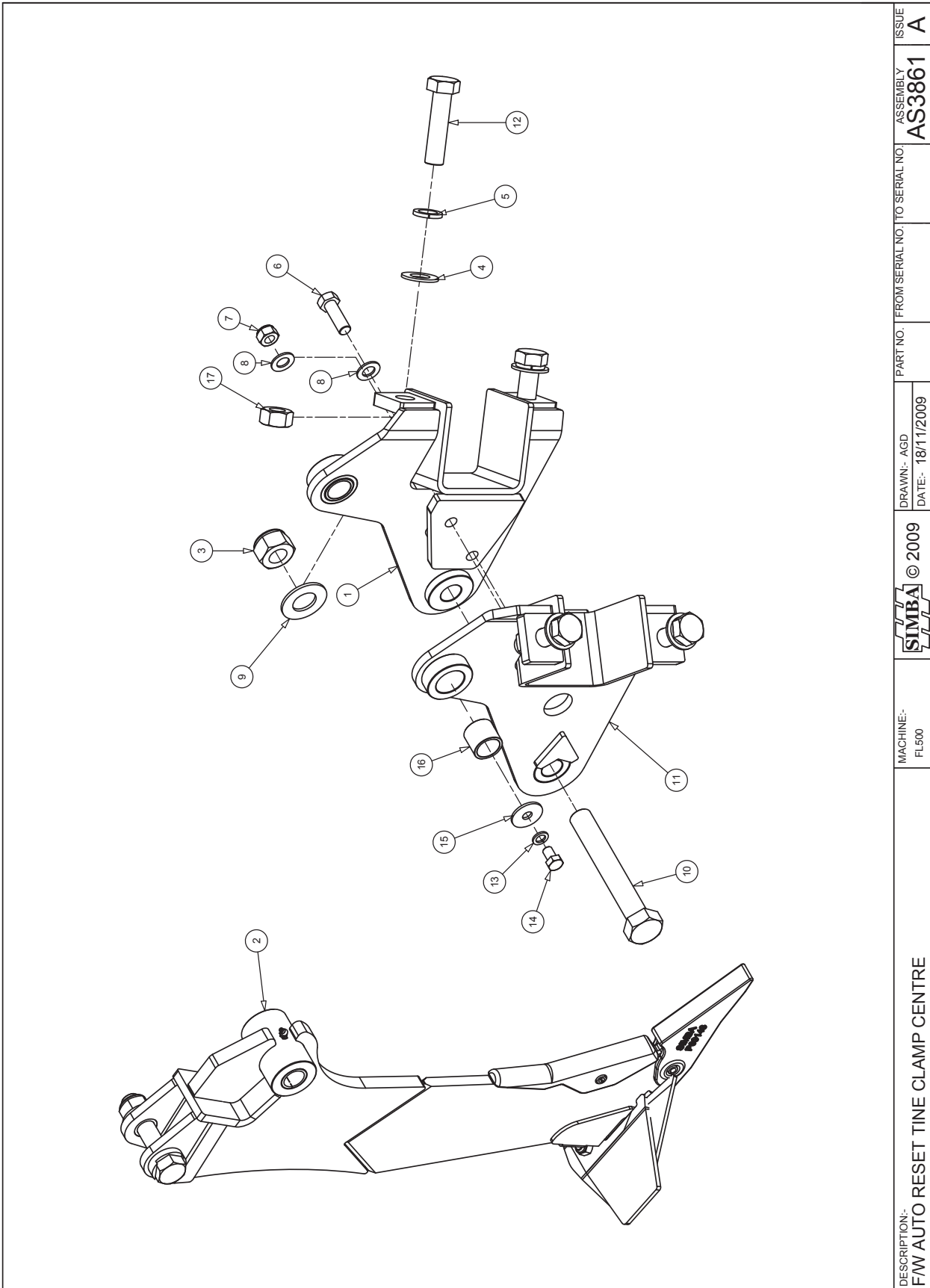
DESCRIPTION:- TINE CLAMP ASSEMBLY - LH	MACHINE:- FL500F	© 2009 SIMBA	DRAWN:- KSL DATE:- 18/11/2009	PART NO. FROM SERIAL NO. TO SERIAL NO. SUITS RH\$250x150	ASSEMBLY AS3859	ISSUE A
---	---------------------	-----------------	----------------------------------	---	--------------------	------------

AS3859		TINE CLAMP ASSEMBLY - LH		
ITEM	PART NO	DESCRIPTION	QTY	COMMENTS
1	P00056	BOLT M30x240 GR. 8.8	4	
2	P00896	NUT PLAIN M30	4	
3	P01358	NUT PLAIN M16	1	
4	P02010	NUT LOCK M24	1	
5	P02038	WASHER SPRING M16	1	
6	P02318	BOLT M16x120 GR. 8.8	1	
7	P02598	WASHER SPRING M30	4	
8	P02604	WASHER FLAT M24 Ø50	1	
9	P02608	WASHER FLAT M30	4	
10	P04536	BOLT M24x130 GR. 8.8	1	
11	P04675	RETAINING PLATE	2	
12	P06510	CLAMP - SHORT	1	
13	P06511	CLAMP - LONG	1	
14				
15				
16				
17				
18				
19				
20				
21				
22				
23				
24				
25				
26				
27				
28				
29				
30				
31				
32				
33				
34				
35				
36				
37				
38				
39				
40				
41				
42				
43				
44				
45				
46				
47				
48				
49				
50				



DESCRIPTION: TINE ASSEMBLY PROLIFT	 © 2004	DRAWN:- ARH DATE:- 02/04/2004	PART NO.	FROM SERIAL NO. TO SERIAL NO.	ASSEMBLY AS1266	ISSUE A
---------------------------------------	--	----------------------------------	----------	-------------------------------	--------------------	------------

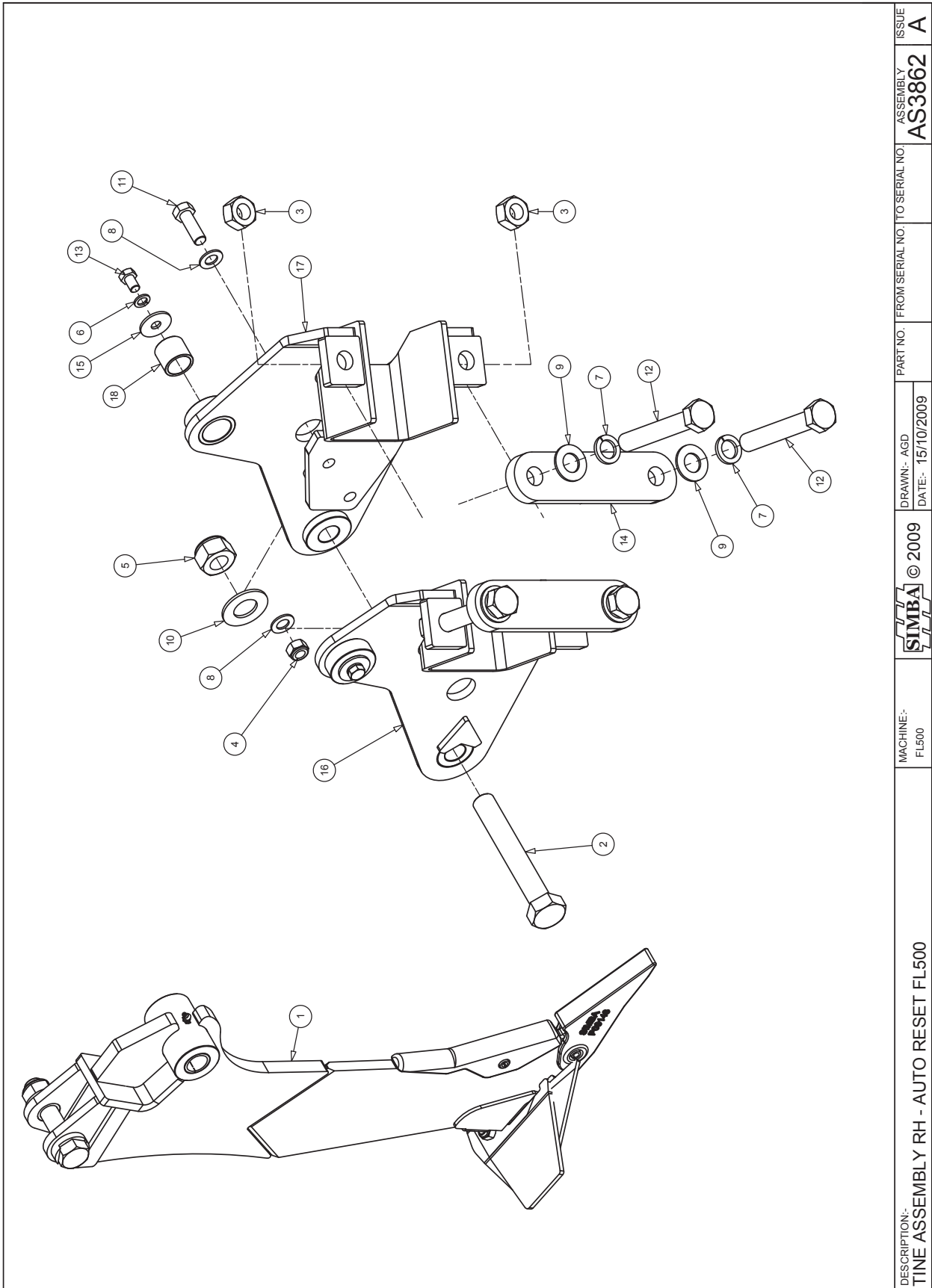
AS1266		TINE ASSEMBLY FLATLINER 500		
ITEM	PART NO	DESCRIPTION	QTY	COMMENTS
1	P10486	PROLIFT TINE - FLATLINER 500	1	
2	P11181	WEAR SHROUD	1	
3	P09060	WING - PROLIFT LOW	1	
4	P09148	POINT - PROLIFT CrFe	1	
5	P10391	WEARSHIN NON REVERSIBLE	1	
6	P10392	WING - PROLIFT 250mm	1	
7	P10411	WING - PROLIFT 350mm	1	
8	P00007	BOLT M16x40 GR. 8.8	1	
9	P02008	NUT LOCK M16	1	
10	P02481	ROLL PIN Ø16x40	2	
11				
12				
13				
14				
15				
16				
17				
18				
19				
20				
21				
22				
23				
24				
25				
26				
27				
28				
29				
30				
31				
32				
33				
34				
35				
36				
37				
38				
39				
40				
41				
42				
43				
44				
45				
46				
47				
48				
49				
50				



DESCRIPTION:- FW AUTO RESET TINE CLAMP CENTRE	MACHINE:- FL500	© 2009	DRAWN:- AGD DATE:- 18/11/2009	PART NO.   FROM SERIAL NO.   TO SERIAL NO.	ASSEMBLY <b>AS3861</b>	ISSUE <b>A</b>
--	--------------------	--------	----------------------------------	--	---------------------------	-------------------

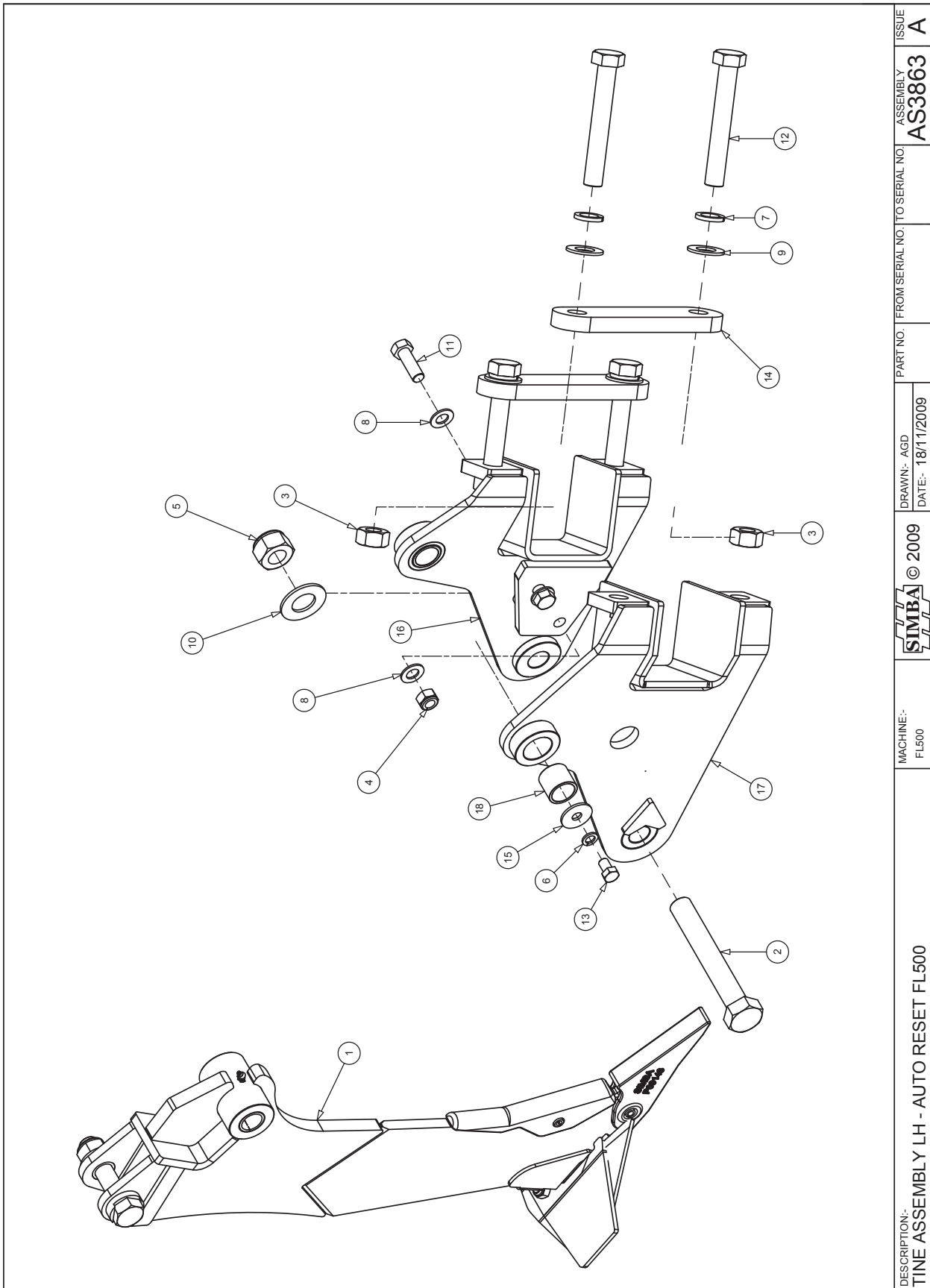


AS3861		FOLDING WING FLATLINER AUTO RESET CENTRE CLAMP		
ITEM	PART NO	DESCRIPTION	QTY	COMMENTS
1	P17380	CLAMP OUTER LH	1	
2	AS3860	TINE ASSEMBLY - AUTO RESET	1	
3	P02012	NUT LOCK M36	1	
4	P02608	WASHER FLAT M30	4	
5	P02598	WASHER SPRING M30	4	
6	P03115	BOLT M20x60 GR. 8.8	2	
7	P02009	NUT LOCK M20	2	
8	P02603	WASHER FLAT M20	4	
9	P02609	WASHER FLAT M39	1	
10	P00047	BOLT M36x240 GR. 8.8	1	
11	P17378	CLAMP OUTER RH	1	
12	P12765	BOLT M30x120 GR. 8.8	4	
13	P02038	WASHER SPRING M16	2	
14	P04618	BOLT M16x25 GR. 8.8	2	
15	P15149	WASHER FLAT M12 Ø54	2	
16	P17384	BUSH Ø49.75xØ40.25x42	2	
17	P00896	NUT PLAIN M30	4	
18				
19				
20				
21				
22				
23				
24				
25				
26				
27				
28				
29				
30				
31				
32				
33				
34				
35				
36				
37				
38				
39				
40				
41				
42				
43				
44				
45				
46				
47				
48				
49				
50				



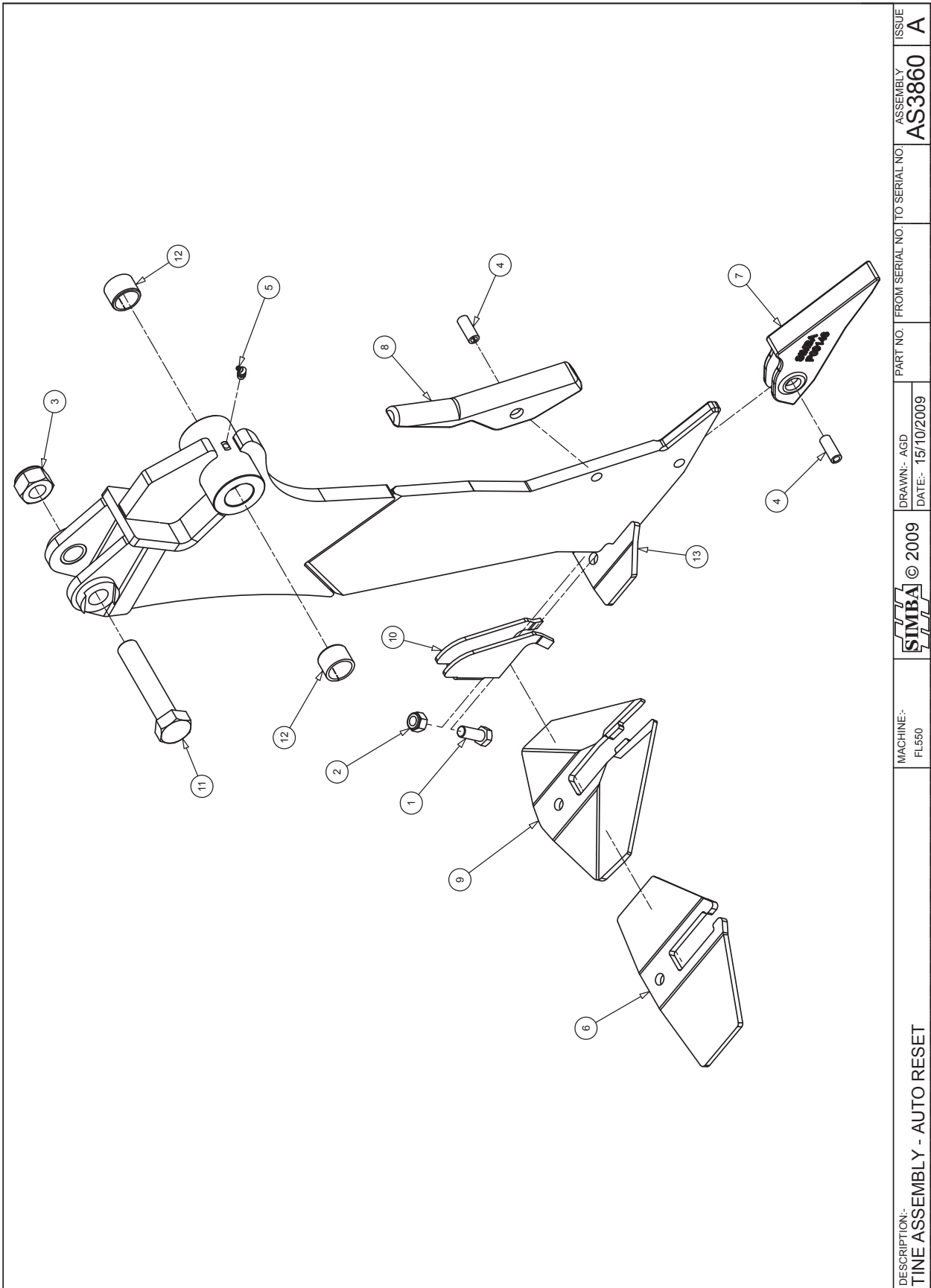
DESCRIPTION:- TINE ASSEMBLY RH - AUTO RESET FL500	MACHINE:- FL500	SIMBA © 2009	DRAWN:- AGD DATE:- 15/10/2009	PART NO.   FROM SERIAL NO.   TO SERIAL NO.	ASSEMBLY AS3862	ISSUE A
--	--------------------	--------------	----------------------------------	--	--------------------	------------

AS3862		TINE ASSEMBLY RH AUTO RESET FL500F		
ITEM	PART NO	DESCRIPTION	QTY	COMMENTS
1	AS3860	TINE ASSEMBLY - AUTO RESET	1	
2	P00047	BOLT M36x240 GR. 8.8	1	
3	P00896	NUT PLAIN M30	4	
4	P02009	NUT LOCK M20	2	
5	P02012	NUT LOCK M36	1	
6	P02038	WASHER SPRING M16	2	
7	P02598	WASHER SPRING M30	4	
8	P02603	WASHER FLAT M20	4	
9	P02608	WASHER FLAT M30	4	
10	P02609	WASHER FLAT M39	1	
11	P03115	BOLT M20x60 GR. 8.8	2	
12	P03222	BOLT M30x200 GR. 8.8	4	
13	P04618	BOLT M16x25 GR. 8.8	2	
14	P04675	RETAINING PLATE	2	
15	P15149	WASHER FLAT M12 Ø54	2	
16	P17378	CLAMP OUTER RH	1	
17	P17379	CLAMP INNER RH	1	
18	P17384	BUSH Ø49.75xØ40.25x42	2	
19				
20				
21				
22				
23				
24				
25				
26				
27				
28				
29				
30				
31				
32				
33				
34				
35				
36				
37				
38				
39				
40				
41				
42				
43				
44				
45				
46				
47				
48				
49				
50				



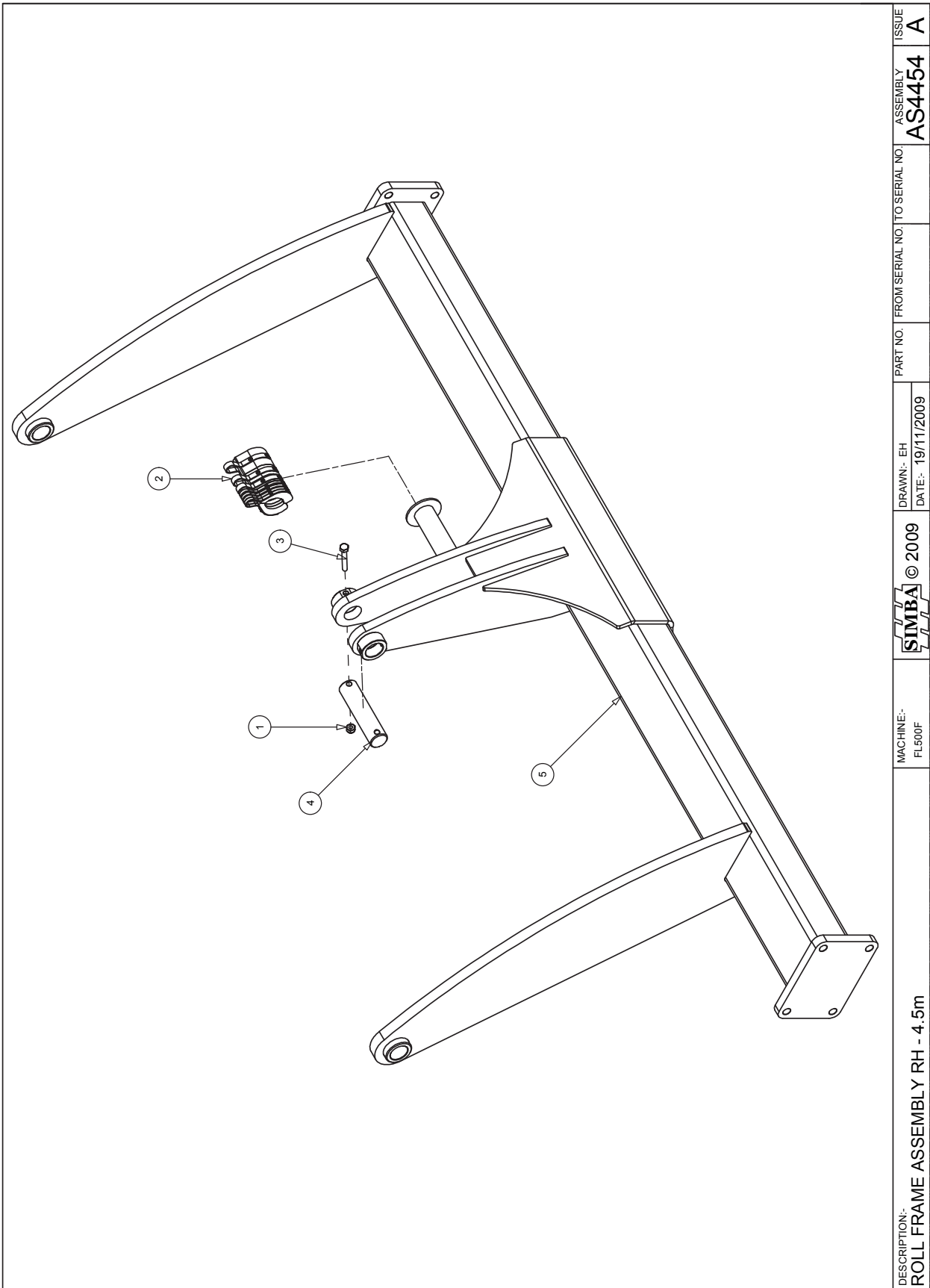
DESCRIPTION: TINE ASSEMBLY LH - AUTO RESET FL500	MACHINE:- FL500	© 2009	DRAWN:- AGD DATE:- 18/11/2009	PART NO. FROM SERIAL NO. TO SERIAL NO.	ASSEMBLY AS3863	ISSUE A
---	--------------------	--------	----------------------------------	--	--------------------	------------

AS3863		TINE ASSEMBLY LH AUTO RESET FL500		
ITEM	PART NO	DESCRIPTION	QTY	COMMENTS
1	AS3860	TINE ASSEMBLY - AUTO RESET	1	
2	P00047	BOLT M36x240 GR. 8.8	1	
3	P00896	NUT PLAIN M30	4	
4	P02009	NUT LOCK M20	2	
5	P02012	NUT LOCK M36	1	
6	P02038	WASHER SPRING M16	2	
7	P02598	WASHER SPRING M30	4	
8	P02603	WASHER FLAT M20	4	
9	P02608	WASHER FLAT M30	4	
10	P02609	WASHER FLAT M39	1	
11	P03115	BOLT M20x60 GR. 8.8	2	
12	P03222	BOLT M30x200 GR. 8.8	4	
13	P04618	BOLT M16x25 GR. 8.8	2	
14	P04675	RETAINING PLATE	2	
15	P15149	WASHER FLAT M12 Ø54	2	
16	P17380	CLAMP OUTER LH	1	
17	P17381	CLAMP INNER LH	1	
18	P17384	BUSH Ø49.75xØ40.25x42	2	
19				
20				
21				
22				
23				
24				
25				
26				
27				
28				
29				
30				
31				
32				
33				
34				
35				
36				
37				
38				
39				
40				
41				
42				
43				
44				
45				
46				
47				
48				
49				
50				



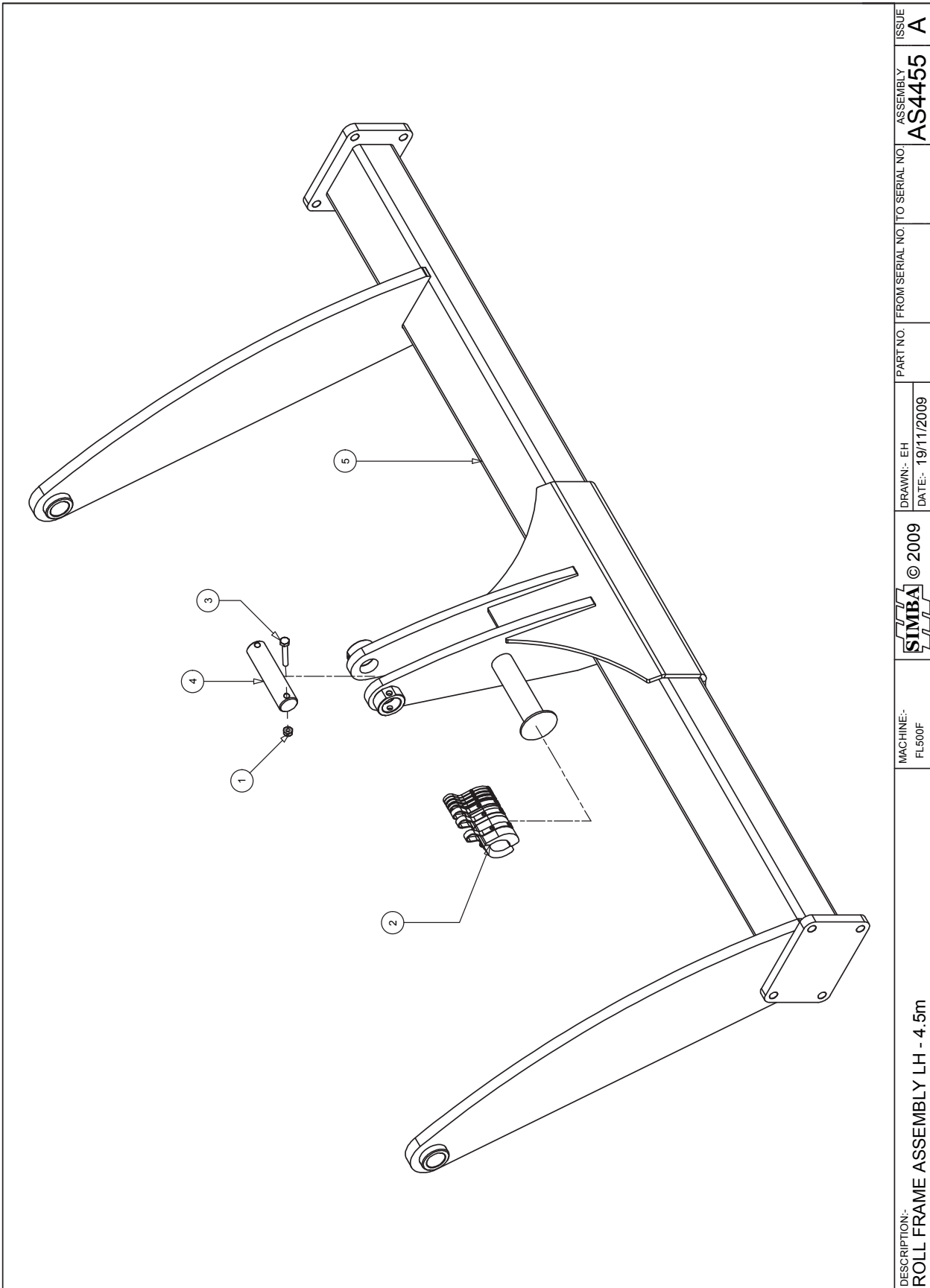
DESCRIPTION:- TINE ASSEMBLY - AUTO RESET	MACHINE:- FL550	 © 2009	DRAWN:- AGD DATE:- 15/10/2009	PART NO. FROM SERIAL NO. TO SERIAL NO. AS3860	ASSEMBLY AS3860	ISSUE A
---	--------------------	--	----------------------------------	--	--------------------	------------

AS3860		TINE ASSEMBLY AUTO RESET		
ITEM	PART NO	DESCRIPTION	QTY	COMMENTS
1	P00007	BOLT M16x40 GR. 8.8	1	
2	P02008	NUT LOCK M16 'TYPE T'	1	
3	P02011	NUT LOCK M30	1	
4	P02481	ROLL PIN Ø16x40	2	
5	P07361	GREASE NIPPLE 45°	1	
6	P09060	WING - PROLIFT LOW	1	
7	P09148	POINT - PROLIFT CrFe	1	
8	P10391	WEARSHIN NON REVERSIBLE	1	
9	P10392	WING - PROLIFT 250mm	1	
10	P11181	WEAR SHROUD	1	
11	P13789	BOLT M30x150 GR.12.9 STR	1	
12	P14781	BUSH SPRUNG - Ø44xØ36x30	2	
13	P17385	TINE - AUTO RESET FL500	1	
14				
15				
16				
17				
18				
19				
20				
21				
22				
23				
24				
25				
26				
27				
28				
29				
30				
31				
32				
33				
34				
35				
36				
37				
38				
39				
40				
41				
42				
43				
44				
45				
46				
47				
48				
49				
50				



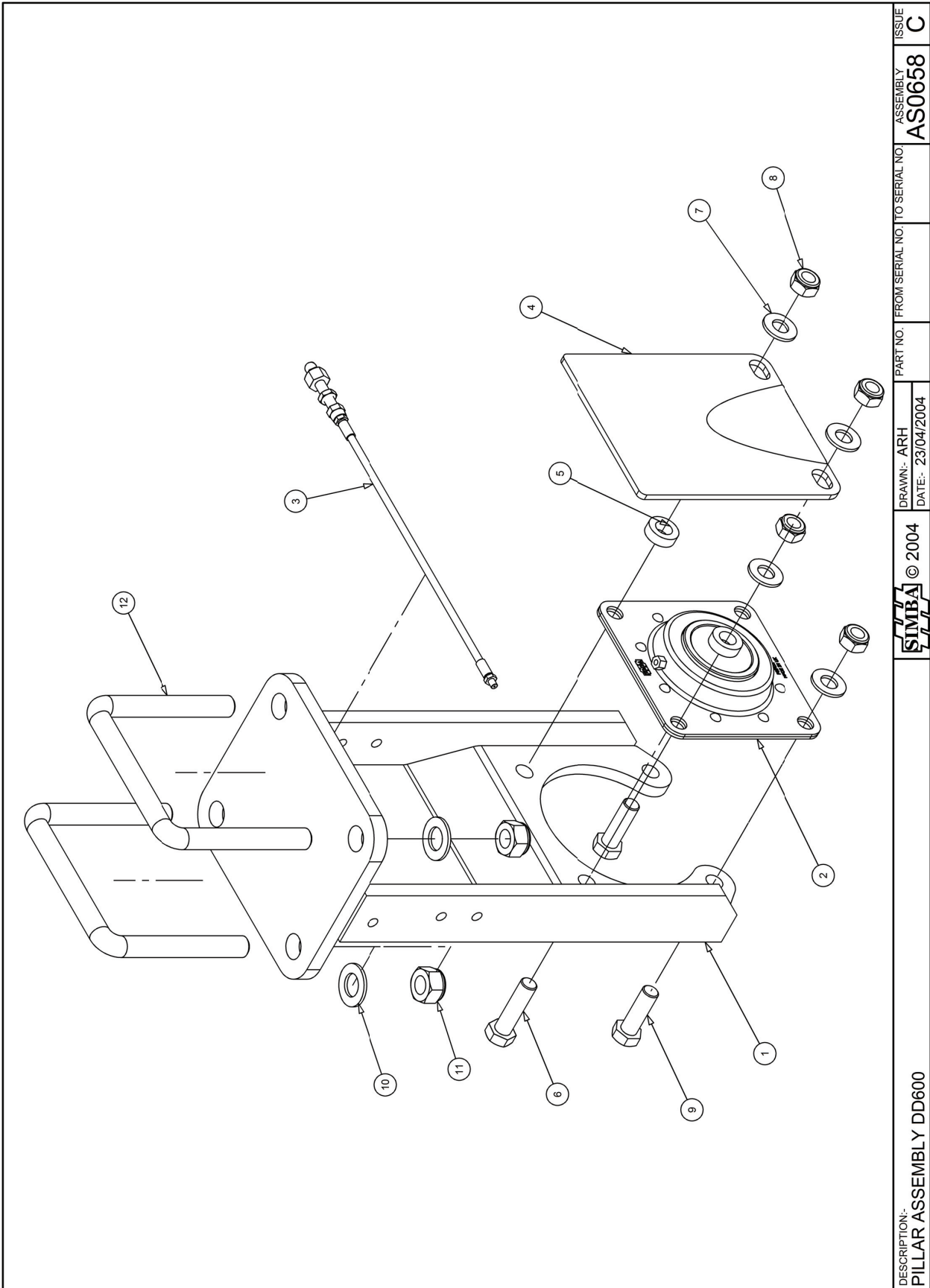


AS4454		ROLL FRAME ASSEMBLY RH - 4.5m		
ITEM	PART NO	DESCRIPTION	QTY	COMMENTS
1	P05534	NUT LOCK M10	1	
2	P08802	SHIM KIT 7 PIECE	1	
3	P14520	BOLT M10x70 GR8.8	1	
4	P17583	PIN Ø40x165 TYPE P	1	
5	P18283	ROLL FRAME RH - 4.5m	1	
6				
7				
8				
9				
10				
11				
12				
13				
14				
15				
16				
17				
18				
19				
20				
21				
22				
23				
24				
25				
26				
27				
28				
29				
30				
31				
32				
33				
34				
35				
36				
37				
38				
39				
40				
41				
42				
43				
44				
45				
46				
47				
48				
49				
50				



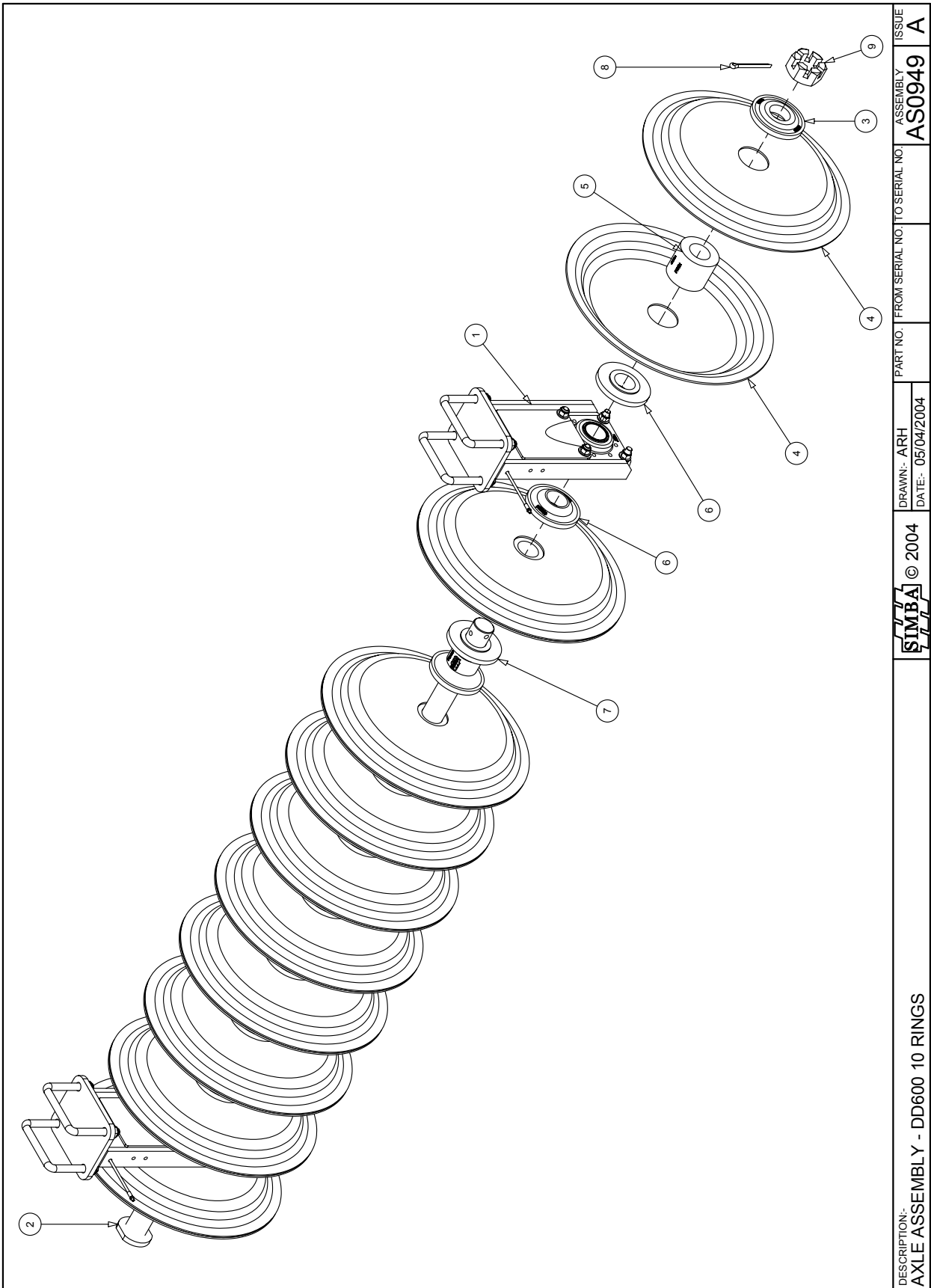
DESCRIPTION: ROLL FRAME ASSEMBLY LH - 4.5m	MACHINE: FL500F	© 2009	DRAWN- EH DATE: 19/11/2009	PART NO. FROM SERIAL NO. TO SERIAL NO.	ASSEMBLY <b>AS4455</b>	ISSUE <b>A</b>
---	--------------------	--------	-------------------------------	--	---------------------------	-------------------

AS4455		ROLL FRAME ASSEMBLY LH - 4.5m		
ITEM	PART NO	DESCRIPTION	QTY	COMMENTS
1	P05534	NUT LOCK M10	1	
2	P08802	SHIM KIT 7 PIECE	1	
3	P14520	BOLT M10x70 GR8.8	1	
4	P17583	PIN Ø40x165 TYPE P	1	
5	P18284	ROLL FRAME LH - 4.5m	1	
6				
7				
8				
9				
10				
11				
12				
13				
14				
15				
16				
17				
18				
19				
20				
21				
22				
23				
24				
25				
26				
27				
28				
29				
30				
31				
32				
33				
34				
35				
36				
37				
38				
39				
40				
41				
42				
43				
44				
45				
46				
47				
48				
49				
50				



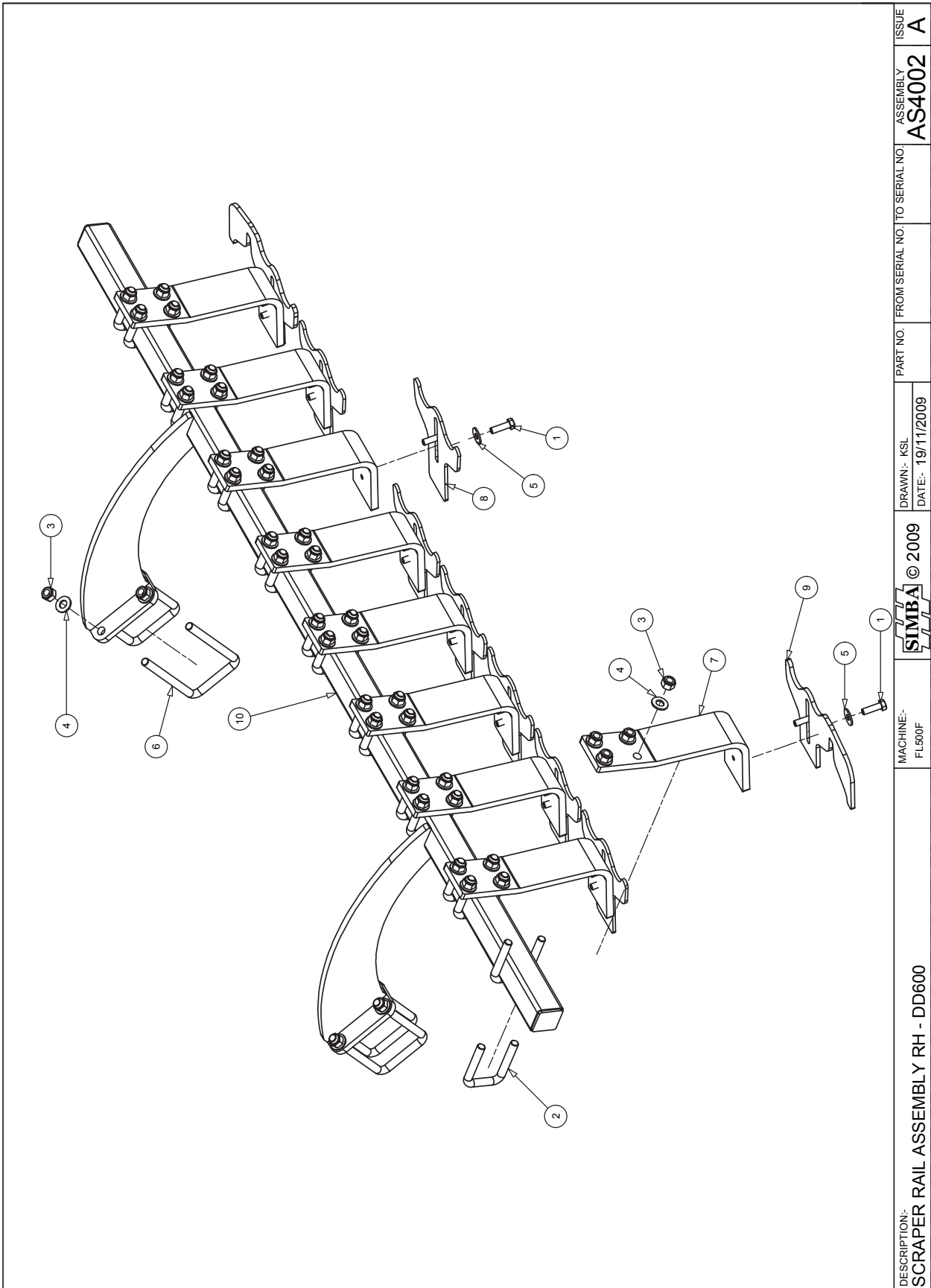
DESCRIPTION: PILLAR ASSEMBLY DD600	DRAWN:- ARH DATE:- 23/04/2004	PART NO. FROM SERIAL NO. TO SERIAL NO.	ASSEMBLY AS0658	ISSUE C
---------------------------------------	----------------------------------	--	--------------------	------------

AS0658		PILLAR ASSEMBLY DD600 + 700		
ITEM	PART NO	DESCRIPTION	QTY	COMMENTS
1	P07696	PRESS ROLL PILLAR	1	
2	P05431	BEARING - PRESSED STEEL	1	
3	P08276	GREASE PIPE	1	
4	P08450	BEARING GUARD	1	
5	P08298	SPACER 10mm	2	
6	P00057	BOLT M16x60 GR. 8.8	2	
7	P02602	WASHER FLAT M16	4	
8	P02008	NUT LOCK M16	4	
9	P01704	BOLT M16x50 GR. 8.8	2	
10	P02603	WASHER FLAT M20	4	
11	P02009	NUT LOCK M20	4	
12	P01619	BOLT U M20 GR8.8 145x172	2	
13				
14				
15				
16				
17				
18				
19				
20				
21				
22				
23				
24				
25				
26				
27				
28				
29				
30				
31				
32				
33				
34				
35				
36				
37				
38				
39				
40				
41				
42				
43				
44				
45				
46				
47				
48				
49				
50				



DESCRIPTION: AXLE ASSEMBLY - DD600 10 RINGS	© 2004	DRAWN:- ARH DATE:- 05/04/2004	PART NO.   FROM SERIAL NO.   TO SERIAL NO.	ASSEMBLY AS0949	ISSUE A
--	--------	----------------------------------	--	--------------------	------------

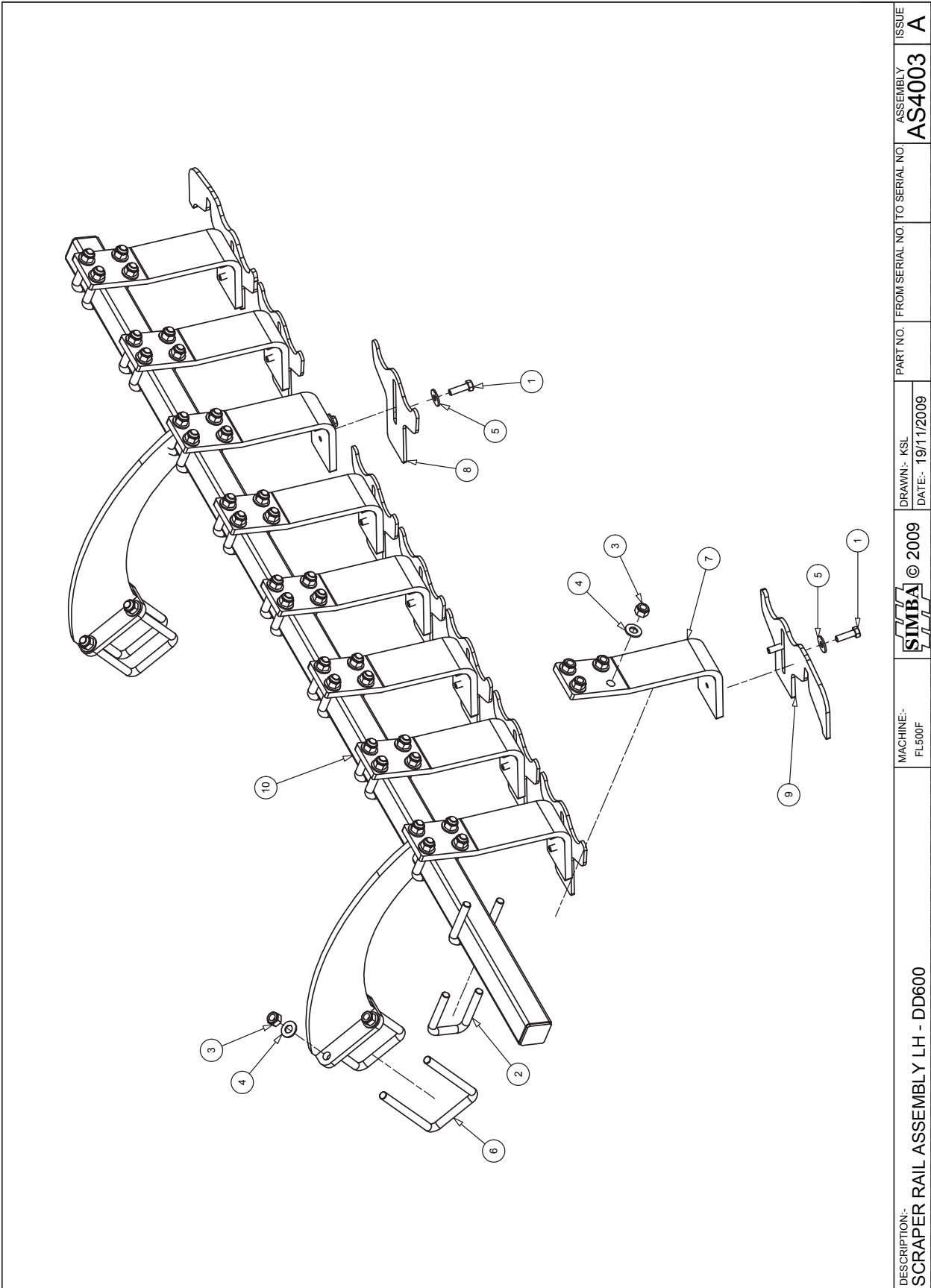
AS0949		AXLE ASSEMBLY DD600 10 RINGS		
ITEM	PART NO	DESCRIPTION	QTY	COMMENTS
1	AS0658	PILLAR ASSEMBLY DD600	2	
2	P10349	AXLE Ø60x2325	1	
3	P08190	DD 600 - NUT SPOOL	2	
4	P08192	DD 600 RING	20	
5	P08191	DD 600 - INTERNAL SPACER	10	
6	P08189	DD 600 - BEARING SPOOL	4	
7	P08188	DD 600 - SPOOL	7	
8	P02489	PIN SPLIT Ø10x100	1	
9	P01698	NUT CASTLE M60	1	
10				
11				
12				
13				
14				
15				
16				
17				
18				
19				
20				
21				
22				
23				
24				
25				
26				
27				
28				
29				
30				
31				
32				
33				
34				
35				
36				
37				
38				
39				
40				
41				
42				
43				
44				
45				
46				
47				
48				
49				
50				



DESCRIPTION: SCRAPER RAIL ASSEMBLY RH - DD600	MACHINE: FL500F	SIMBA © 2009	DRAWN:- KSL DATE:- 19/11/2009	PART NO. FROM SERIAL NO. TO SERIAL NO.	ASSEMBLY AS4002	ISSUE A
--	--------------------	--------------	----------------------------------	--	--------------------	------------

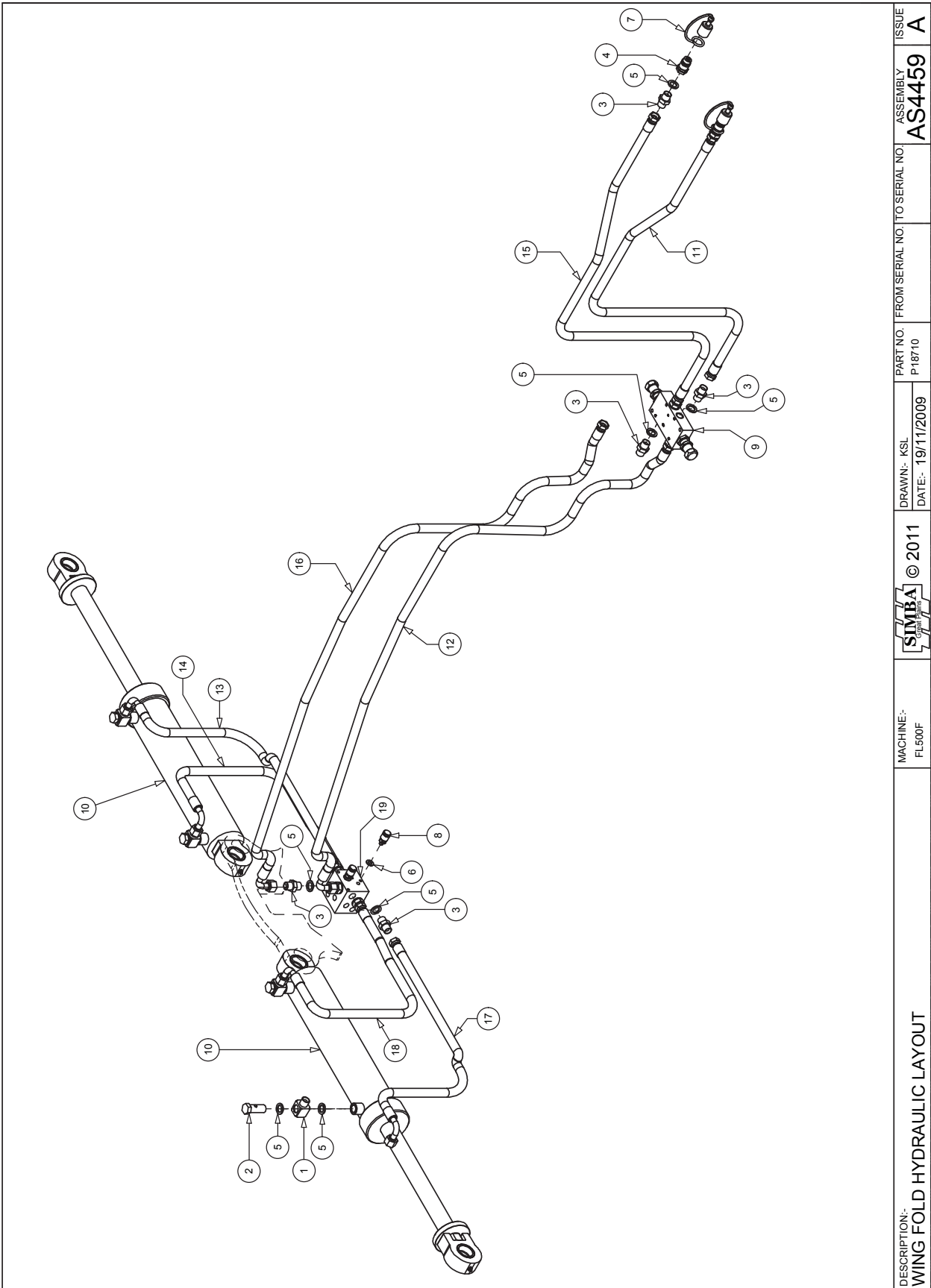


AS4002		SCRAPER RAIL ASSEMBLY RH		
ITEM	PART NO	DESCRIPTION	QTY	COMMENTS
1	P00003	BOLT M12x40 GR. 8.8	18	
2	P01613	BOLT U M16 GR8.8 100x78	18	
3	P02008	NUT LOCK M16 'TYPE T'	44	
4	P02602	WASHER FLAT M16	44	
5	P04179	WASHER FLAT M12 Ø38	18	
6	P06802	BOLT U M16 GR8.8 190x117	4	
7	P07736	SCRAPER STEM	9	
8	P08601	SCRAPER PLATE DD RING LONG	7	
9	P10029	SCRAPER 1 1/2	2	
10	P17481	SCRAPER RAIL - DD600	1	
11				
12				
13				
14				
15				
16				
17				
18				
19				
20				
21				
22				
23				
24				
25				
26				
27				
28				
29				
30				
31				
32				
33				
34				
35				
36				
37				
38				
39				
40				
41				
42				
43				
44				
45				
46				
47				
48				
49				
50				



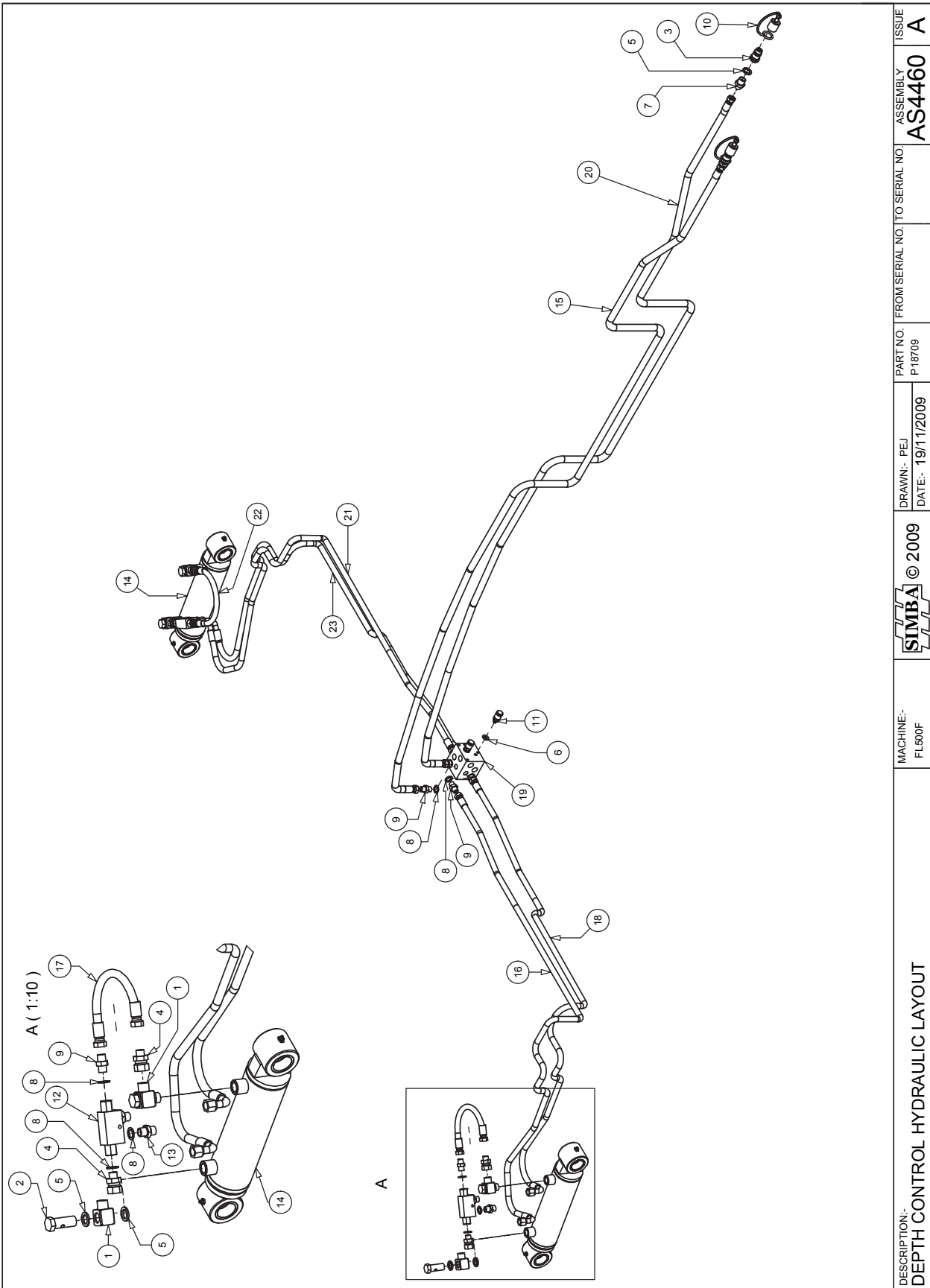
DESCRIPTION: SCRAPER RAIL ASSEMBLY LH - DD600	MACHINE: FL500F	© 2009	DRAWN:- KSL DATE:- 19/11/2009	PART NO. FROM SERIAL NO. TO SERIAL NO.	ASSEMBLY AS4003	ISSUE A
--	--------------------	--------	----------------------------------	--	--------------------	------------

AS4003		SCRAPER RAIL ASSEMBLY LH		
ITEM	PART NO	DESCRIPTION	QTY	COMMENTS
1	P00003	BOLT M12x40 GR. 8.8	18	
2	P01613	BOLT U M16 GR8.8 100x78	18	
3	P02008	NUT LOCK M16 'TYPE T'	44	
4	P02602	WASHER FLAT M16	44	
5	P04179	WASHER FLAT M12 Ø38	18	
6	P06802	BOLT U M16 GR8.8 190x117	4	
7	P07736	SCRAPER STEM	9	
8	P08601	SCRAPER PLATE DD RING LONG	7	
9	P10029	SCRAPER 1 1/2	2	
10	P17481	SCRAPER RAIL - DD600	1	
11				
12				
13				
14				
15				
16				
17				
18				
19				
20				
21				
22				
23				
24				
25				
26				
27				
28				
29				
30				
31				
32				
33				
34				
35				
36				
37				
38				
39				
40				
41				
42				
43				
44				
45				
46				
47				
48				
49				
50				



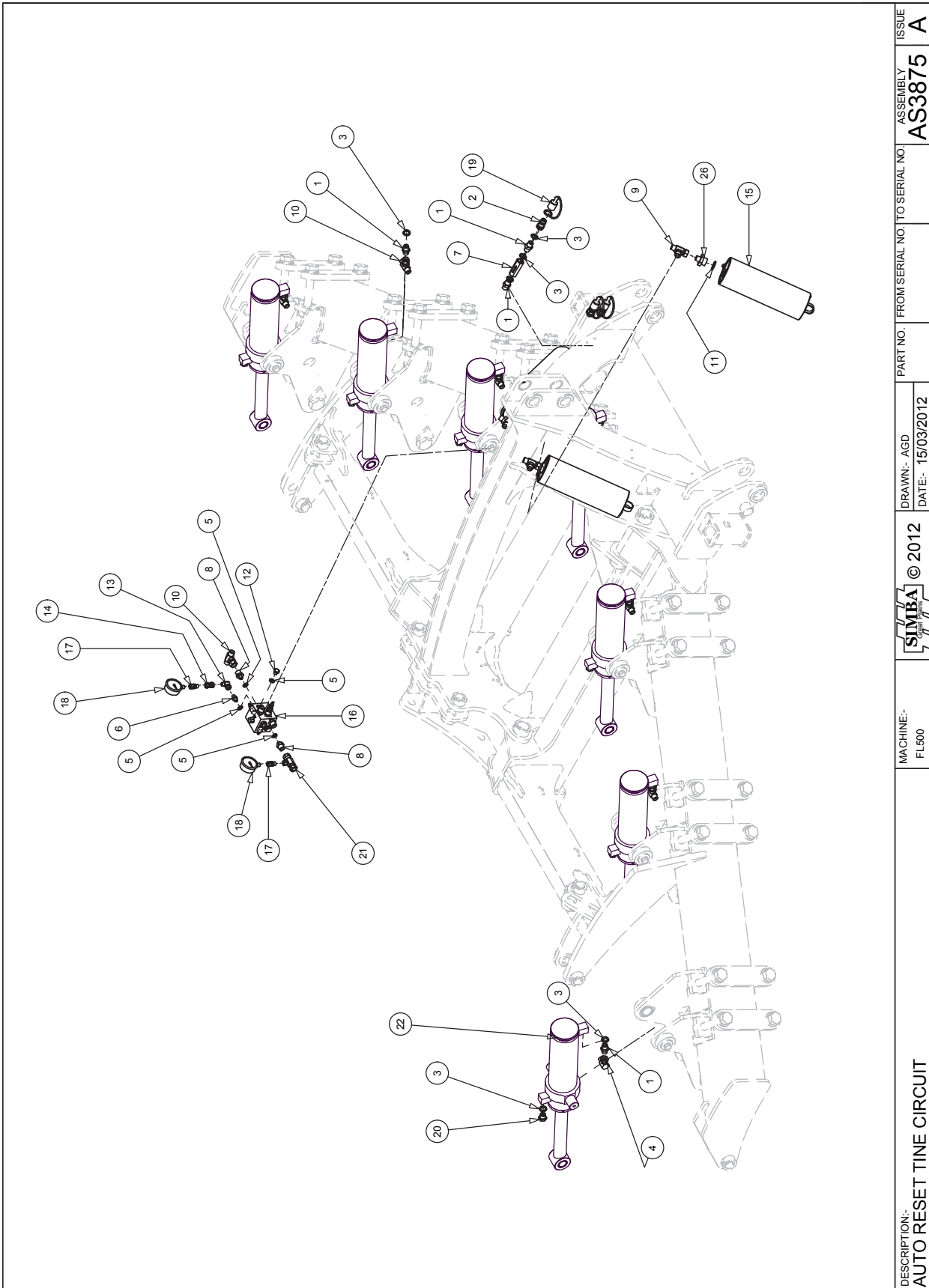
DESCRIPTION:- WING FOLD HYDRAULIC LAYOUT	MACHINE:- FL500F	 © 2011	DRAWN:- KSL DATE:- 19/11/2009	PART NO. P18710	FROM SERIAL NO. TO SERIAL NO.	ASSEMBLY AS4459	ISSUE A
---	---------------------	--	----------------------------------	--------------------	-------------------------------	--------------------	------------

AS4459		WING FOLD HYDRAULIC LAYOUT		
ITEM	PART NO	DESCRIPTION	QTY	COMMENTS
1	P00200	BANJO BLOCK 1/2" BSP	4	
2	P00201	BANJO BOLT 1/2" BSP	4	
3	P00203	ADAPTOR MALE-MALE 1/2" BSP	12	
4	P00205	QUICK RELEASE MALE - 1/2" BSP	2	
5	P02263	DOWTY SEAL 1/2" BSP	20	
6	P02741	DOWTY SEAL 1/4" BSP	2	
7	P09537	CAP FOR MALE - YELLOW	2	
8	P15581	CHECK PORT 1/4 BSP	2	
9	P16391	DOC VALVE (REXROTH)	1	
10	P18323	CYLINDER - Ø90x400 - 45	2	
11	P18727	HA 1/2"X2134 F/F	1	
12	P18728	HA 1/2"X1905 F/F90	1	
13	P18729	HA 1/2"X975 F/F90	1	
14	P18730	HA 1/2"X715 F/F90	1	
15	P18731	HA 1/2"X2134 F/F	1	
16	P18732	HA 1/2"X1905 F/F90	1	
17	P18733	HA 1/2"X975 F/F90	1	
18	P18734	HA 1/2"X715 F/F90	1	
19	P18735	MANIFOLD-WING/ROLL	1	
20				
21				
22				
23				
24				
25				
26				
27				
28				
29				
30				
31				
32				
33				
34				
35				
36				
37				
38				
39				
40				
41				
42				
43				
44				
45				
46				
47				
48				
49				
50				



DESCRIPTION: DEPTH CONTROL HYDRAULIC LAYOUT		MACHINE: FL500F	 © 2009		DRAWN:- PEJ DATE:- 19/11/2009	PART NO. P18709	FROM SERIAL NO. TO SERIAL NO.	ASSEMBLY AS4460	ISSUE A
--	--	--------------------	--	--	----------------------------------	--------------------	-------------------------------	--------------------	------------

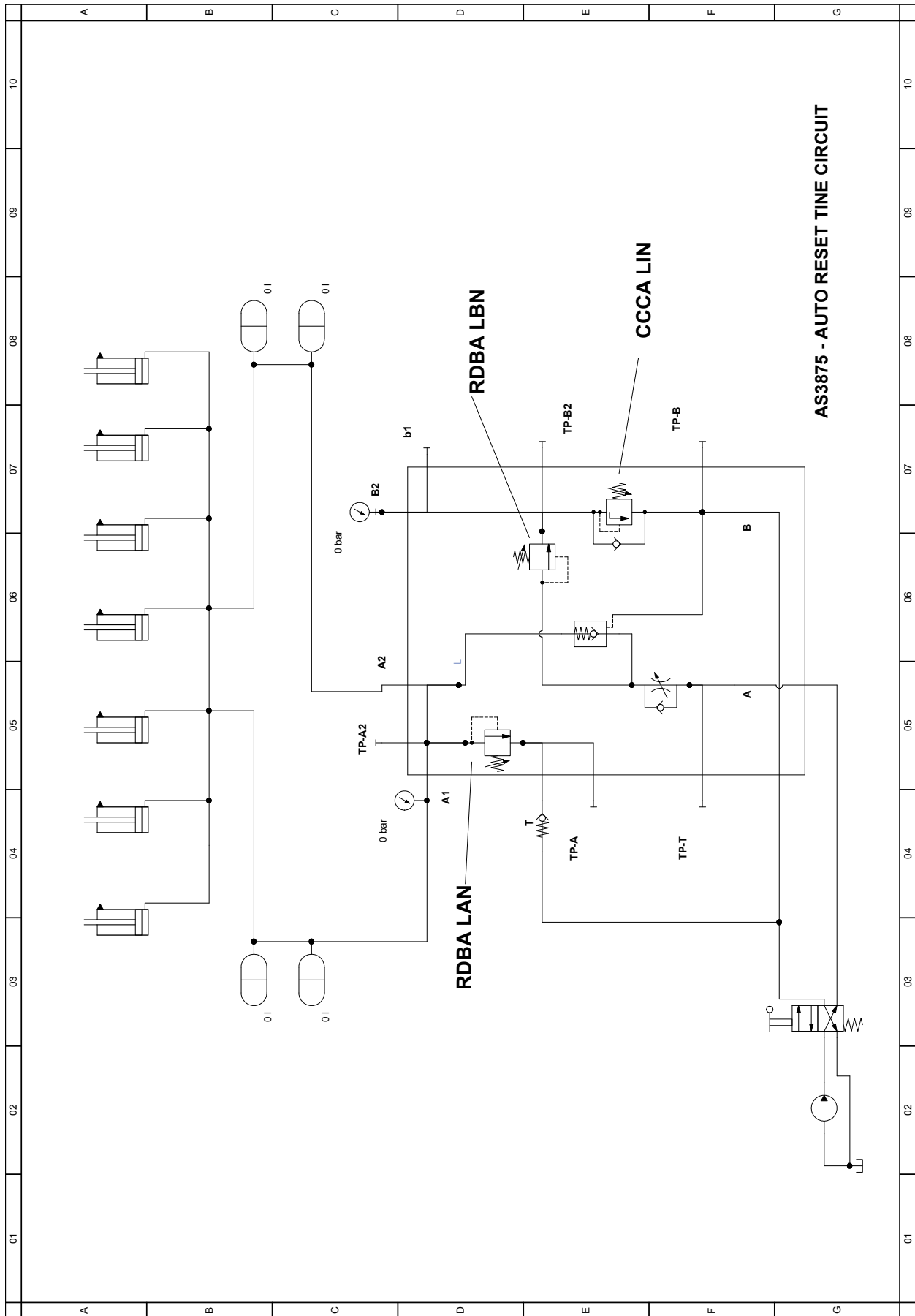
AS4460		DEPTH CONTROL HYDRAULIC LAYOUT		
ITEM	PART NO	DESCRIPTION	QTY	COMMENTS
1	P00200	BANJO BLOCK 1/2" BSP	4	
2	P00201	BANJO BOLT 1/2" BSP	4	
3	P00205	QUICK RELEASE MALE - 1/2" BSP	2	
4	P01796	M3/8"-F1/2"	4	
5	P02263	DOWTY SEAL 1/2" BSP	10	
6	P02741	DOWTY SEAL 1/4" BSP	2	
7	P03686	ADAPTOR MALE - MALE 1/2"-3/8" BSP	2	
8	P03687	DOWTY SEAL 3/8" BSP	14	
9	P06641	ADAPTOR MALE - MALE 3/8"-3/8" BSP	8	
10	P09543	CAP FOR MALE - BLUE	2	
11	P15581	CHECK PORT 1/4 BSP	2	
12	P16285	CHECK VALVE FPD-3/8-35L	2	
13	P16709	M/M 3/8" RESTRICTED	4	
14	P17747	CYL - Ø80x175-45	2	
15	P18723	HA 3/8"X4040 F/F	1	
16	P18724	HA 3/8"X1735 F/F90	1	
17	P18725	HA 3/8"X330 F/F	1	
18	P18726	HA 3/8"X1735 F/F90	1	
19	P18735	MANIFOLD-WING/ROLL	1	
20	P18736	HA 3/8"X4040 F/F	1	
21	P18737	HA 3/8"X1735 F/F90	1	
22	P18738	HA 3/8"X330 F/F	1	
23	P18739	HA 3/8"X1735 F/F90	1	
24				
25				
26				
27				
28				
29				
30				
31				
32				
33				
34				
35				
36				
37				
38				
39				
40				
41				
42				
43				
44				
45				
46				
47				
48				
49				
50				



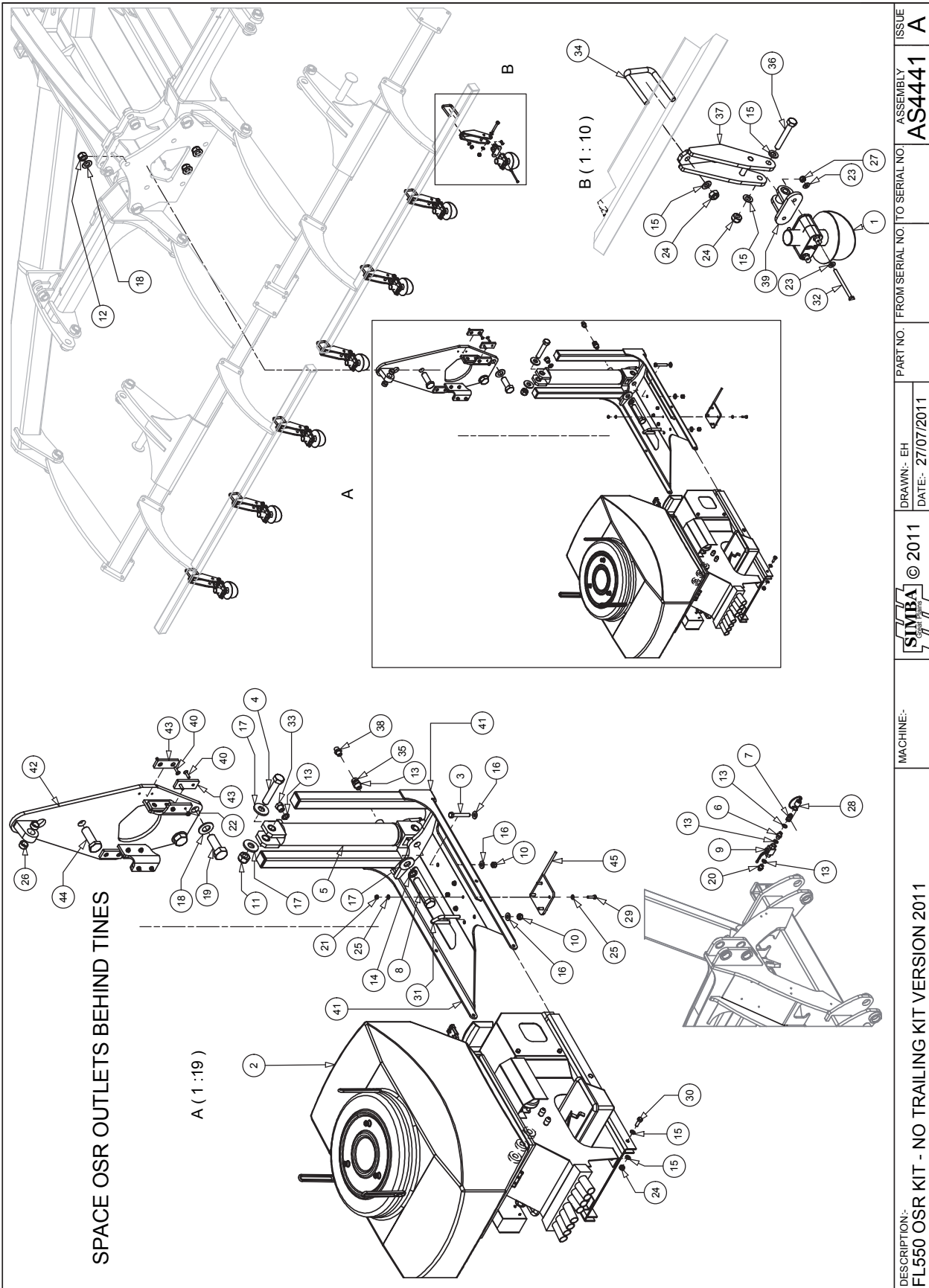
DESCRIPTION: AUTO RESET TINE CIRCUIT	MACHINE:- FL500	© 2012	DRAWN:- AGD DATE:- 15/03/2012	PART NO. FROM SERIAL NO. TO SERIAL NO.	ASSEMBLY AS3875	ISSUE A
---	--------------------	--------	----------------------------------	--	--------------------	------------



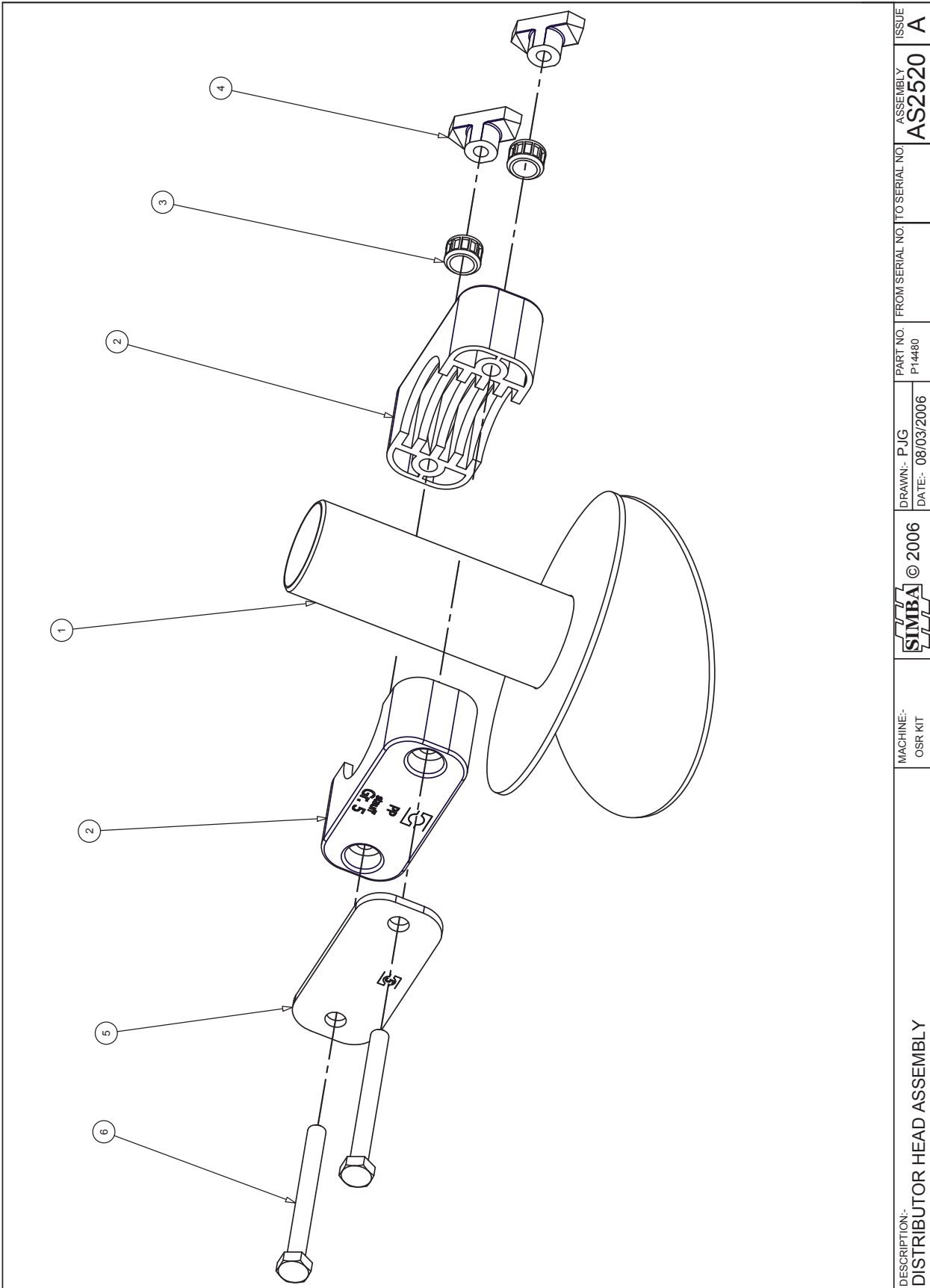
AS3875		AUTO RESET TINE HYDRAULIC CIRCUIT		
ITEM	PART NO	DESCRIPTION	QTY	COMMENTS
1	P00203	ADAPTOR MALE-MALE 1/2" BSP	11	
2	P00205	QUICK RELEASE MALE - 1/2" BSP	3	
3	P02263	DOWTY SEAL 1/2" BSP	19	
4	P02734	ELBOW MALE-FEM COMPACT 1/2" BSP	2	
5	P02741	DOWTY SEAL 1/4" BSP	7	
6	P02881	ADAPTOR MALE-MALE 1/4" BSP	1	
7	P03061	CHECK VALVE 1/2"BSP - 20 BAR	1	
8	P03685	ADAPTOR M1/2"-M1/4" BSP	5	
9	P06216	ADAPTOR T SFOR 1/2" BSP	4	
10	P06217	ADAPTOR T SFOE 1/2" BSP	5	
11	P06249	DOWTY SEAL 1" BSP	4	
12	P06268	BLANKING PLUG - 1/4" BSP	1	
13	P06287	1/4"BSP MALE - FEMAL	1	
14	P07348	F-F1/4"	1	
15	P08837	ACCUMULATOR 2L PISTON 80b	4	
16	P09078	MANIFOLD - TINE CONTROL	1	
17	P09116	1/4" PRESSURE GAUGE ADAPTOR - BOD\	2	
18	P09117	PRESSURE GAUGE 250BAR	2	
19	P09541	CAP FOR MALE - GREEN	3	
20	P13739	BLANKING PLUG 1/2" BSP VENTED	7	
21	P15646	ADAPTOR T F/F 1/2"F 1/4"	1	
22	P17382	CYLINDER Ø100x310-50	7	
23	P18276	CHASSIS - FL500F	1	
24	P18277	WING FRAME RH - 4.5m	1	
25	P18278	WING FRAME LH - 4.5m	1	
26	P18479	ADAPTOR 1" MALE-MALE 1/2" BSP	4	
27				
28				
29				
30				
31				
32				
33				
34				
35				
36				
37				
38				
39				
40				
41				
42				
43				
44				
45				
46				
47				
48				
49				
50				







AS4441		FL550 OSR KIT - NO TRAILING KIT VERSION 2011		
ITEM	PART NO	DESCRIPTION	QTY	COMMENTS
1	AS2520	DISTRIBUTOR HEAD ASSEMBLY	7	
2		TURBOJET - GENERAL ASSEMBLY	1	
3	P00006	BOLT M12x80 GR. 8.8	1	
4	P00019	BOLT M24x120 GR. 8.8	1	
5	P00166	CYLINDER - Ø75x400	1	
6	P00203	ADAPTOR MALE-MALE ½" BSP	1	
7	P00205	QUICK RELEASE MALE - ½" BSP	1	
8	P00771	BOLT M24x120 GR10.9	1	
9	P00774	SHUT OFF TAP ½" BSP	1	
10	P02007	NUT LOCK M12	3	
11	P02010	NUT LOCK M24	1	
12	P02011	NUT LOCK M30	3	
13	P02263	DOWTY SEAL ½" BSP	5	
14	P02593	WASHER SPRING M24	1	
15	P02600	WASHER FLAT M10	36	
16	P02601	WASHER FLAT M12	4	
17	P02605	WASHER FLAT M24 Ø60	3	
18	P02608	WASHER FLAT M30	5	
19	P03471	BOLT M30x80 GR. 8.8	2	
20	P03686	ADAPTOR MALE - MALE ½"-3/8" BSP	1	
21	P04754	NUT LOCK M8	4	
22	P05213	NUT LOCK M8 TYPE T	8	
23	P05400	WASHER FLAT M6	28	
24	P05534	NUT LOCK M10	25	
25	P05535	WASHER FLAT M8	8	
26	P07922	BUSH SPRUNG - Ø32xØ26x15	2	
27	P07981	NUT LOCK M6	14	
28	P09539	CAP FOR MALE - RED	1	
29	P09726	BOLT M8x30 GR. 8.8	4	
30	P12690	BOLT M10x30 GR. 8.8	4	
31	P13586	BOLT U M12 GR8.8 80x70	1	
32	P13672	BOLT M6x80 GR. 8.8	14	
33	P13739	BLANKING PLUG ½" BSP VENTED	1	
34	P13961	BOLT U M10 GR8.8 71x88	7	
35	P14095	ADAPTOR MALE 1/2" - FEMALE 3/8"	1	
36	P14520	BOLT M10x70 GR8.8	7	
37	P15893	OSR RAIL MOUNT	7	
38	P16709	M/M 3/8" RESTRICTED	1	
39	P16806	OSR OUTLET MOUNT	7	
40	P17318	SCREW M8x30 CSK	12	
41	P18716	OSR MOUNT - BASE	1	
42	P18717	OSR MOUNT-BACK PLATE	1	
43	P18718	NYLON GUIDE BLOCKS	6	
44	P18749	BOLT M30x87 GR. 8.8	1	
45	P18766	RDS RADAR BRACKET	1	
46	P18766	RDS RADAR BRACKET	1	
47				
48				
49				
50				



DESCRIPTION:- DISTRIBUTOR HEAD ASSEMBLY	MACHINE:- OSR KIT	 © 2006	DRAWN:- P.J.G DATE:- 08/03/2006	PART NO. P14480	FROM SERIAL NO. TO SERIAL NO.	ASSEMBLY AS2520	ISSUE A
--	----------------------	--	------------------------------------	--------------------	-------------------------------	--------------------	------------

AS2520		DISTRIBUTOR HEAD ASSEMBLY		
ITEM	PART NO	DESCRIPTION	QTY	COMMENTS
1	P14473	DISTRIBUTOR HEAD	1	
2	P14477	STAUFF CLAMP - 1 1/4"	2	
3	P14479	RUBBER MOUNT	2	
4	P14478	CLAMP LOCK NUT	2	
5	P14476	TOP PLATE	1	
6	P14474	BOLT M6x60 GR. 8.8	2	
7				
8	P14480	STAUFF CLAMP COMPLETE. 1 1/4"	1	ITEMS 2 - 6
9				
10				
11				
12				
13				
14				
15				
16				
17				
18				
19				
20				
21				
22				
23				
24				
25				
26				
27				
28				
29				
30				
31				
32				
33				
34				
35				
36				
37				
38				
39				
40				
41				
42				
43				
44				
45				
46				
47				
48				
49				
50				









<b>Great Plains Simba</b>	Tel.: +44(0)1529 304654
Woodbridge Road, Sleaford	Fax: +44(0)1529 413468
Lincolnshire, NG34 7EW	E-Mail: <a href="mailto:simba@greatplainsmfg.com">simba@greatplainsmfg.com</a>
United Kingdom	Web: <a href="http://www.greatplainsmfg.co.uk">www.greatplainsmfg.co.uk</a>