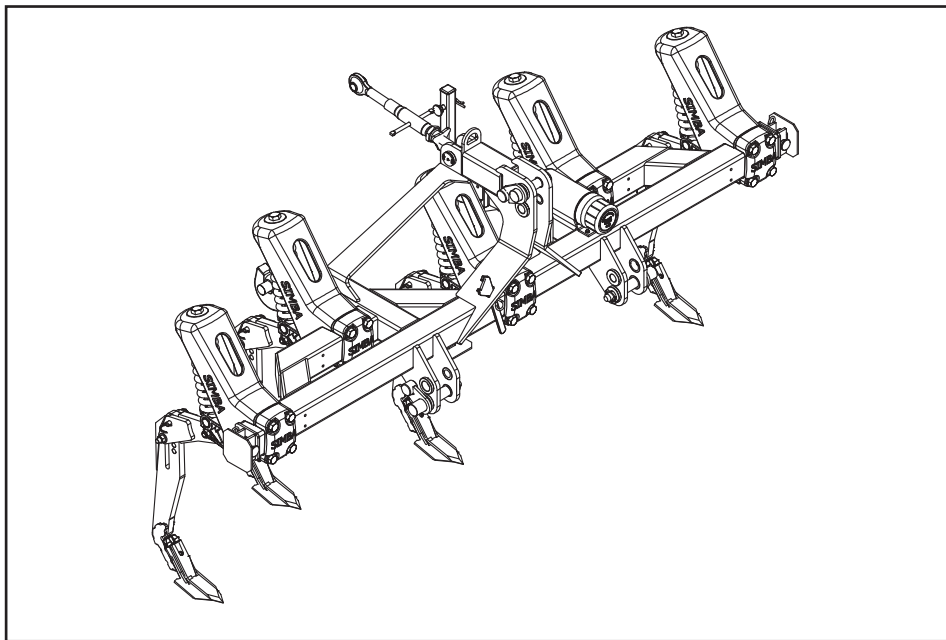


Parts Manual

Simba ST-Bar



Read the operators manual entirely. When you see this symbol, the subsequent instructions and warnings are serious - follow without exception. Your life and the lives of others depend on it!



Illustrations may show optional equipment not supplied with standard unit.

ORIGINAL INSTRUCTIONS

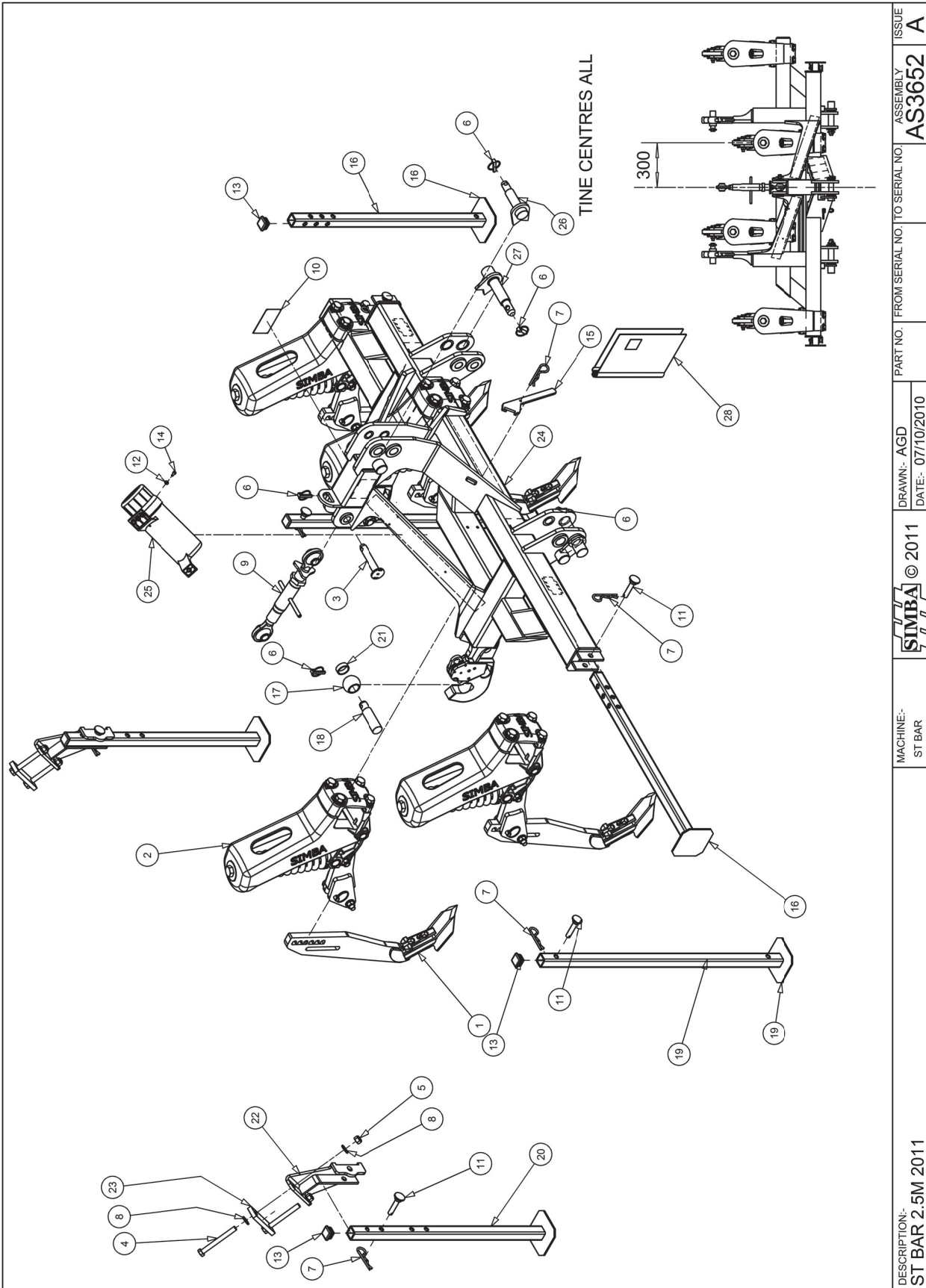
© Copyright 2012 Printed 15/01/13

606-037P

EN

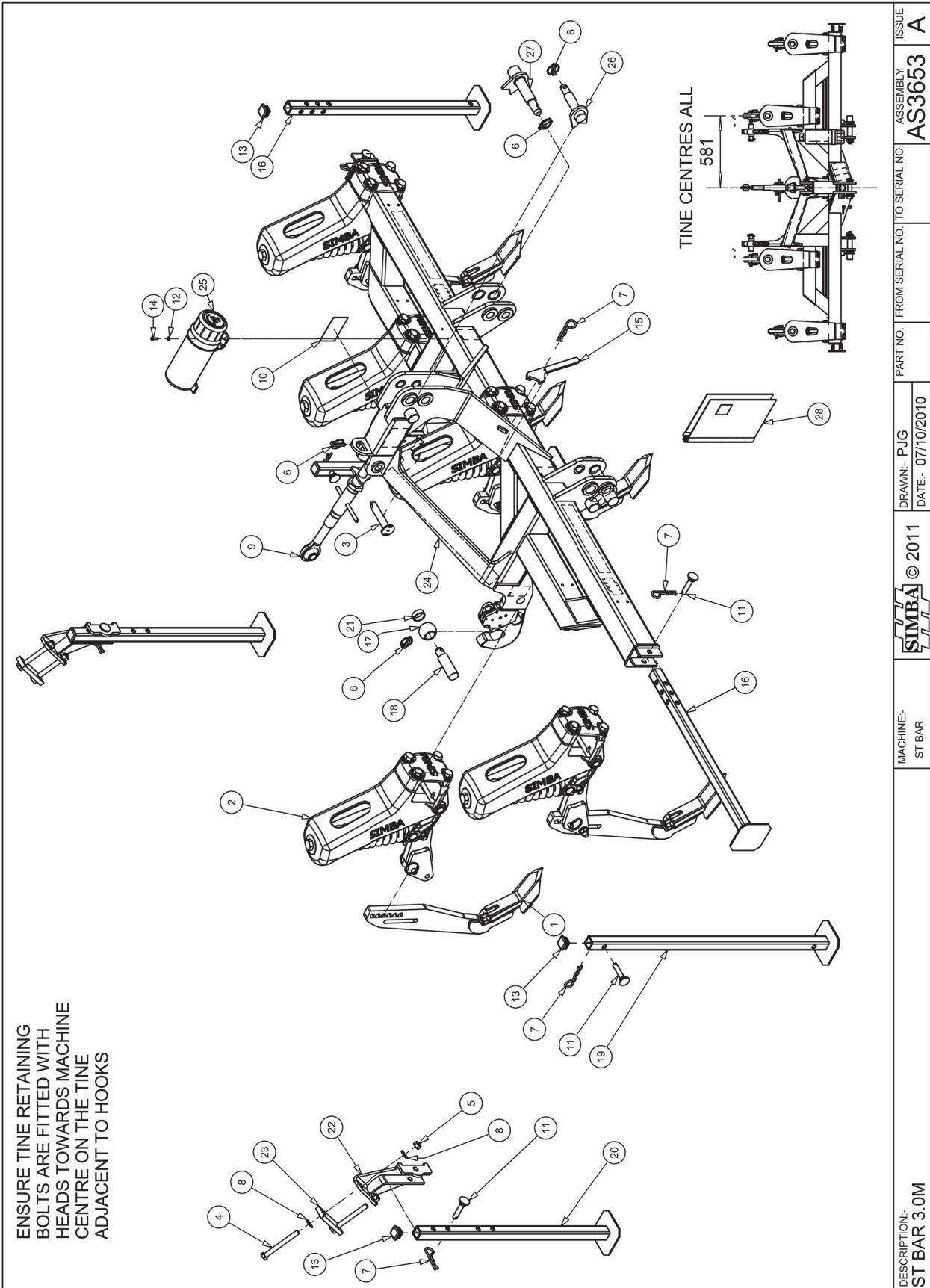
Parts & Assembly

2.5m ST-Bar4
3m ST-Bar6
3.5m ST-Bar8
4m ST-Bar10
4m HD ST-Bar12
4m HD ST-Bar Hydraulics14
ST Unit & Converter16
Tine Body Assembly18
ST Tine20
Low Disturbance Tine22
2.5m ST-Bar with 2.5m Mounted X-Press24
3m ST-Bar with 3m Mounted X-Press25
3.5m ST-Bar with 3m Mounted X-Press26
4m ST-Bar with 4m Mounted X-Press27
Front Light Kit28



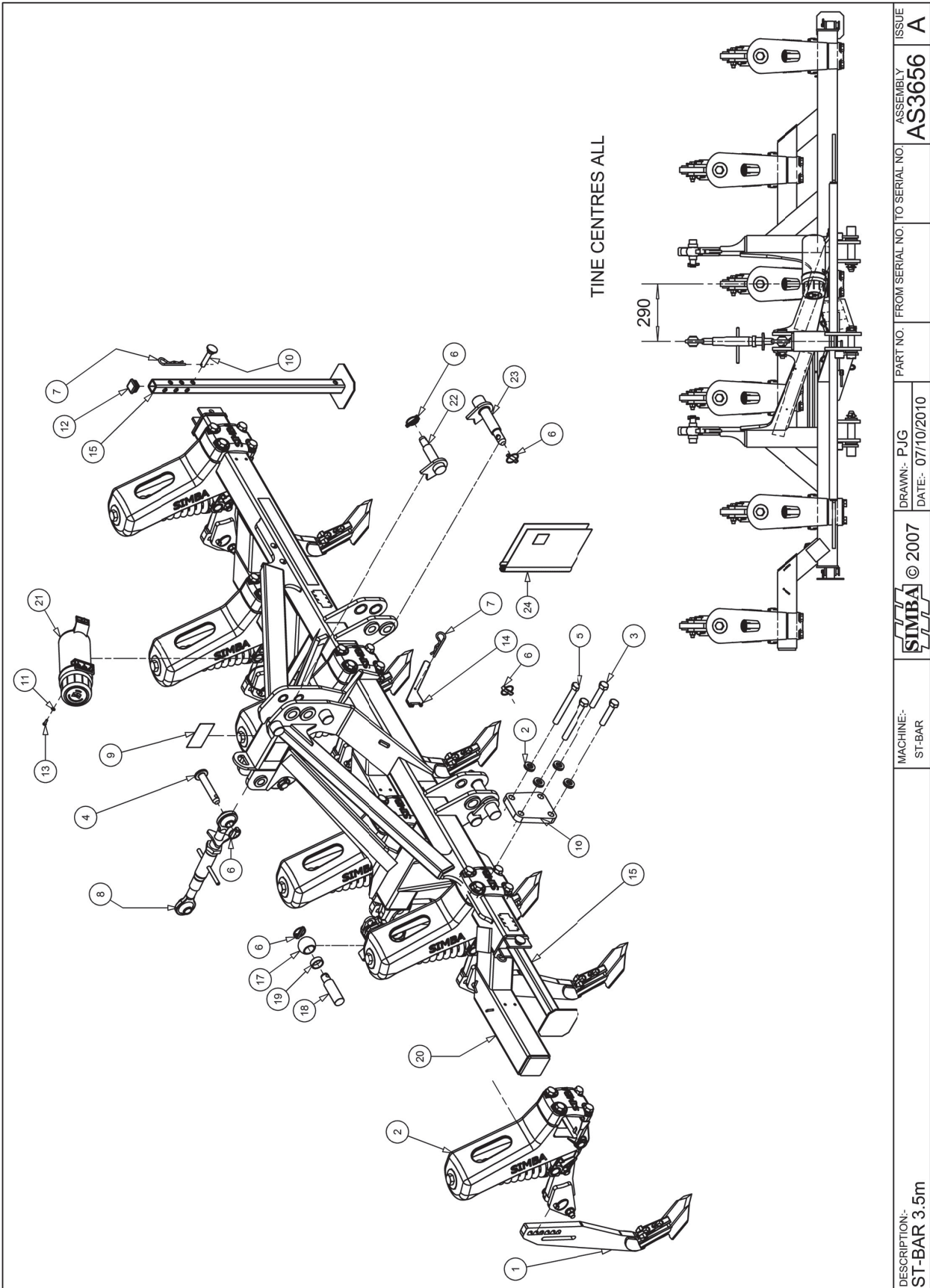
DESCRIPTION:- ST BAR 2.5M 2011	MACHINE:- ST BAR	SIMBA © 2011	DRAWN:- AGD DATE:- 07/10/2010	PART NO. FROM SERIAL NO. TO SERIAL NO. AS3652	ASSEMBLY AS3652	ISSUE A
--	---------------------	--------------	----------------------------------	---	---------------------------	-------------------

AS3652		ST BAR 2.5M 2011		
ITEM	PART NO	DESCRIPTION	QTY	COMMENTS
1	AS2962	ST TINE ASSEMBLY	4	
2	AS3657	ST UNIT & CONVERTER	4	
3	P01054	PIN Ø25x140	1	
4	P01352	BOLT M16x150 GR. 8.8	4	
5	P02008	NUT LOCK M16 'TYPE T'	4	
6	P02484	LYNCH PIN CAT 2	6	
7	P02485	R CLIP Ø6x120	7	
8	P02602	WASHER FLAT M16	8	
9	P04959	TOPLINK CAT 2 9"	1	
10	P05122	SERIAL PLATE	1	
11	P05207	PIN Ø16x73	6	
12	P05400	WASHER FLAT M6	3	
13	P07543	PLASTIC END CAP 40x40	6	
14	P10293	BOLT M6x20 GR. 8.8	3	
15	P12725	POINT REMOVAL TOOL	1	
16	P13775	PARKING STAND LEG	2	
17	P14754	BALL CAT 3 LOWER Ø37	2	
18	P14996	CAT 3 LOWER LINK PIN TO SUIT ST BAR	2	
19	P14997	PARKING STAND LEG	2	
20	P14998	PARKING STAND LEG	2	
21	P14999	LOWER BALL SPACER CAT 3	2	
22	P15003	PARKING STAND BASE	2	
23	P15004	RETAINING PLATE	2	
24	P15027	ST-BAR 2.5M	1	
25	P17815	MANUAL HOLDER - COMPLETE	1	
26	P17906	UPPER LINK PIN - CAT 3	1	
27	P17918	PIN - Ø36x182	2	
28	P17920	MANUAL - ST-TOOLBAR 2011	1	
29				
30				
31				
32				
33				
34				
35				
36				
37				
38				
39				
40				
41				
42				
43				
44				
45				
46				
47				
48				
49				
50				



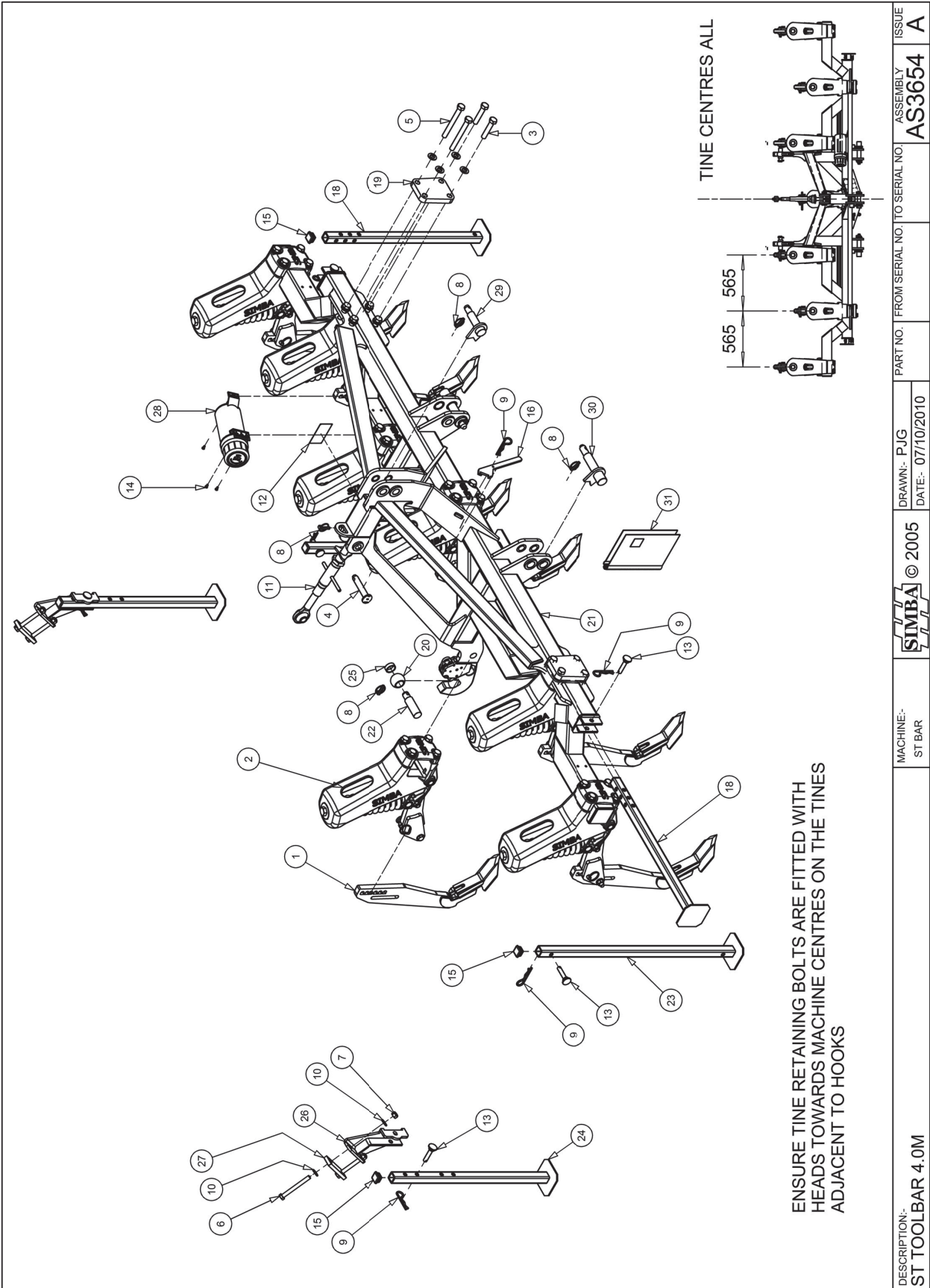
DESCRIPTION:- ST BAR 3.0M	MACHINE:- ST BAR	© 2011	DRAWN:- PJG DATE:- 07/10/2010	PART NO. FROM SERIAL NO. TO SERIAL NO. AS3653	ASSEMBLY AS3653	ISSUE A
------------------------------	---------------------	--------	----------------------------------	--	--------------------	------------

AS3653		ST BAR 3.0M		
ITEM	PART NO	DESCRIPTION	QTY	COMMENTS
1	AS2962	ST TINE ASSEMBLY	5	
2	AS3657	ST UNIT & CONVERTER	5	
3	P01054	PIN Ø25x140	1	
4	P01352	BOLT M16x150 GR. 8.8	4	
5	P02008	NUT LOCK M16 'TYPE T'	4	
6	P02484	LYNCH PIN CAT 2	6	
7	P02485	R CLIP Ø6x120	7	
8	P02602	WASHER FLAT M16	8	
9	P04959	TOPLINK CAT 2 9"	1	
10	P05122	SERIAL PLATE	1	
11	P05207	PIN Ø16x73	6	
12	P05400	WASHER FLAT M6	3	
13	P07543	PLASTIC END CAP 40x40	6	
14	P10293	BOLT M6x20 GR. 8.8	3	
15	P12725	POINT REMOVAL TOOL	1	
16	P13775	PARKING STAND LEG	2	
17	P14754	BALL CAT 3 LOWER Ø37	2	
18	P14996	CAT 3 LOWER LINK PIN TO SUIT ST BAR	2	
19	P14997	PARKING STAND LEG	2	
20	P14998	PARKING STAND LEG	2	
21	P14999	LOWER BALL SPACER CAT 3	2	
22	P15003	PARKING STAND BASE	2	
23	P15004	RETAINING PLATE	2	
24	P15018	ST BAR 3.0M	1	
25	P17815	MANUAL HOLDER - COMPLETE	1	
26	P17906	UPPER LINK PIN - CAT 3	1	
27	P17918	PIN - Ø36x182	2	
28	P17920	MANUAL - ST-TOOLBAR 2011	1	
29				
30				
31				
32				
33				
34				
35				
36				
37				
38				
39				
40				
41				
42				
43				
44				
45				
46				
47				
48				
49				
50				



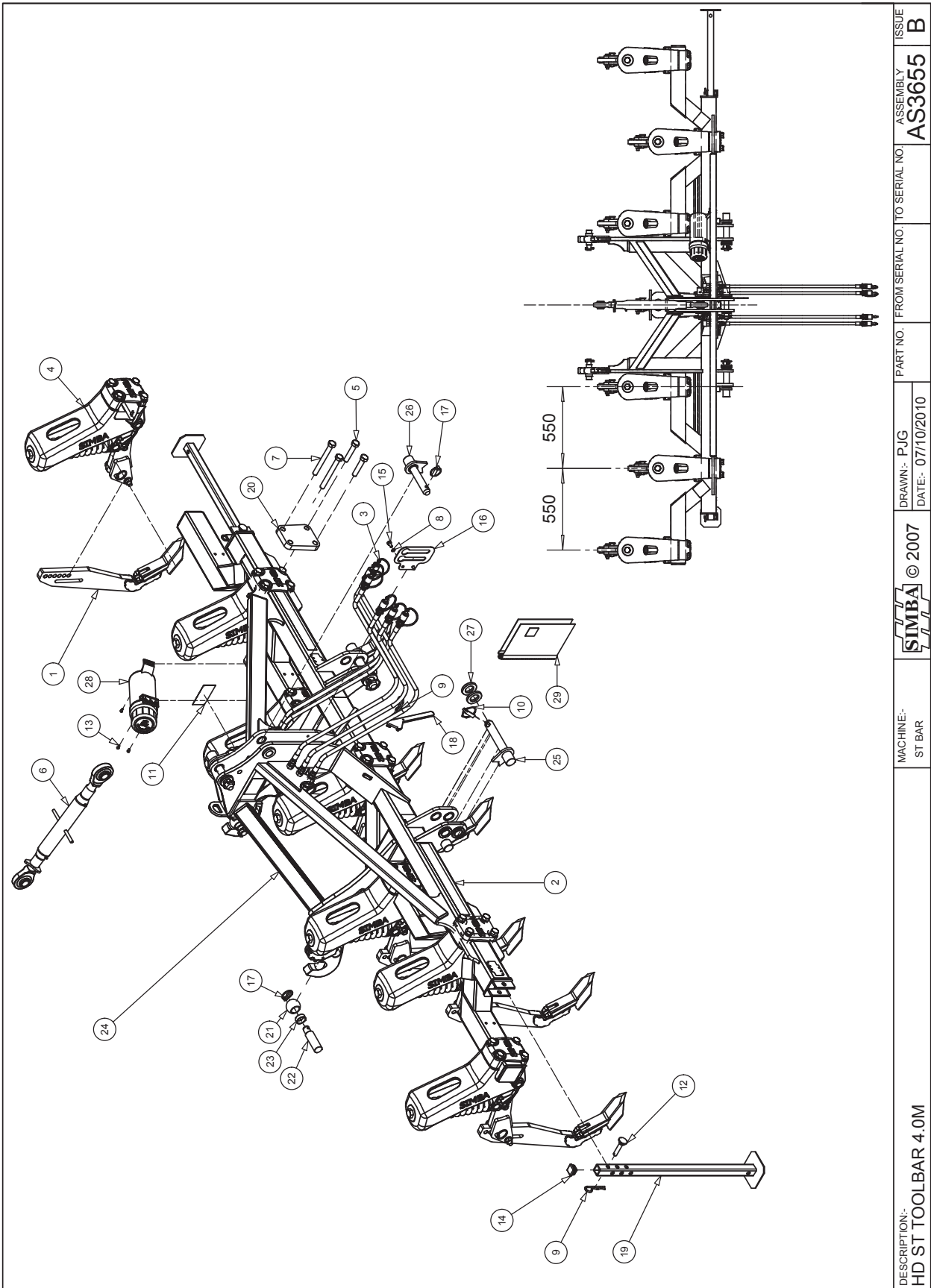
DESCRIPTION:- ST-BAR 3.5m	MACHINE:- ST-BAR	 © 2007	DRAWN: PJG DATE: 07/10/2010	PART NO. FROM SERIAL NO. TO SERIAL NO.	ASSEMBLY AS3656	ISSUE A
------------------------------	---------------------	--	--------------------------------	--	--------------------	------------

AS3656		ST-BAR 3.5m		
ITEM	PART NO	DESCRIPTION	QTY	COMMENTS
1	AS2962	ST TINE ASSEMBLY	6	
2	AS3657	ST UNIT & CONVERTER	6	
3	P00012	BOLT M20x100 GR. 8.8	2	
4	P01054	PIN Ø25x140	1	
5	P01224	BOLT M20x180 GR. 8.8	2	
6	P02484	LYNCH PIN CAT 2	6	
7	P02485	R CLIP Ø6x120	3	
8	P04959	TOPLINK CAT 2 9"	1	
9	P05122	SERIAL PLATE	1	
10	P05207	PIN Ø16x73	2	
11	P05400	WASHER FLAT M6	3	
12	P07543	PLASTIC END CAP 40x40	2	
13	P10293	BOLT M6x20 GR. 8.8	3	
14	P12725	POINT REMOVAL TOOL	1	
15	P13775	PARKING STAND LEG	2	
16	P14517	CLAMP PLATE 132x92/82	1	
17	P14754	BALL CAT 3 LOWER Ø37	2	
18	P14996	CAT 3 LOWER LINK PIN TO SUIT ST BAR	2	
19	P14999	LOWER BALL SPACER CAT 3	2	
20	P16275	ST-BAR 3.5m	1	
21	P17815	MANUAL HOLDER - COMPLETE	1	
22	P17906	UPPER LINK PIN - CAT 3	1	
23	P17918	PIN - Ø36x182	2	
24	P17920	MANUAL - ST-TOOLBAR 2011	1	
25				
26				
27				
28				
29				
30				
31				
32				
33				
34				
35				
36				
37				
38				
39				
40				
41				
42				
43				
44				
45				
46				
47				
48				
49				
50				



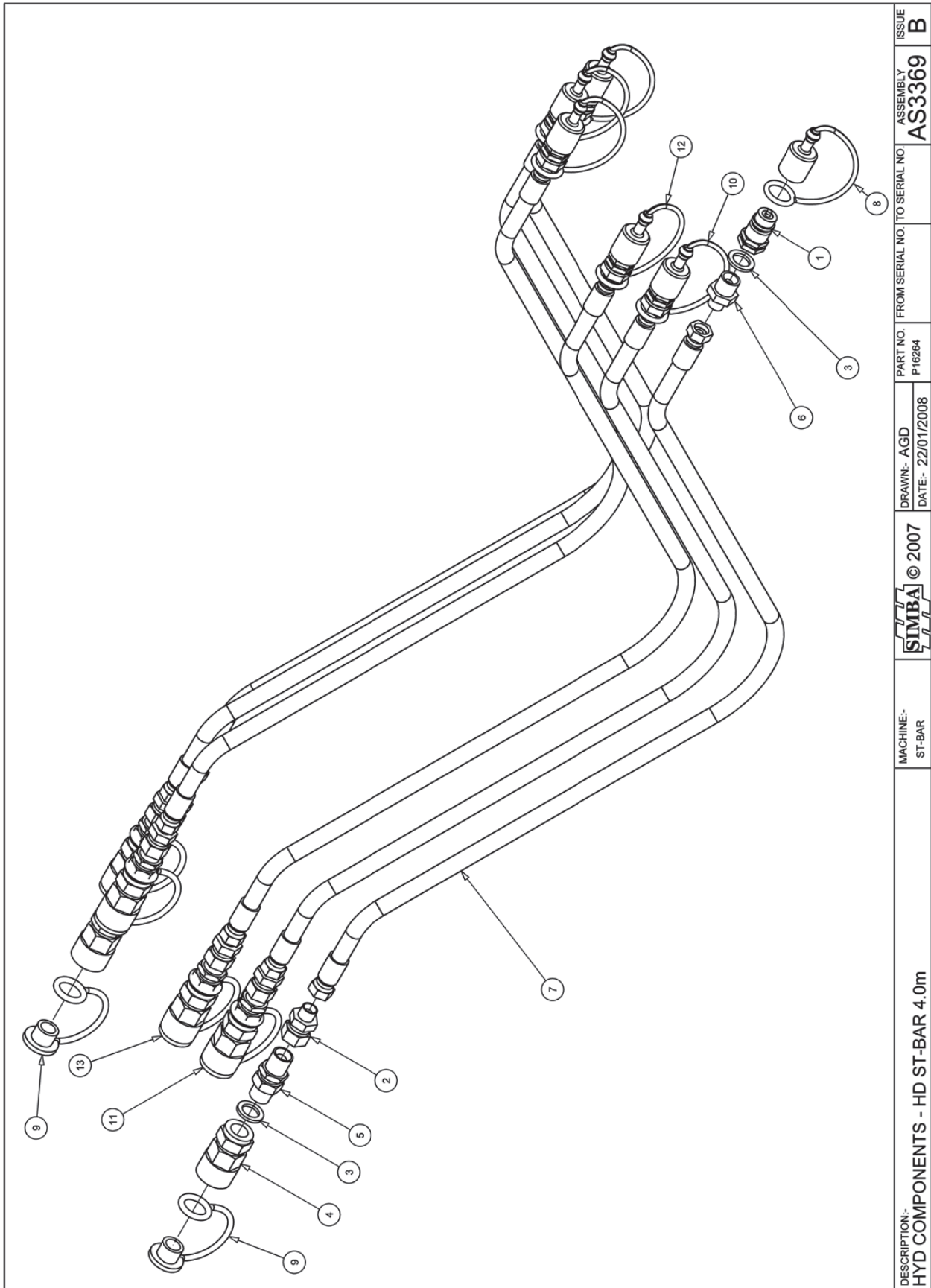
DESCRIPTION:- ST TOOLBAR 4.0M	MACHINE:- ST BAR	© 2005	DRAWN:- PJG DATE:- 07/10/2010	PART NO. FROM SERIAL NO. TO SERIAL NO. AS3654	ASSEMBLY AS3654	ISSUE A
----------------------------------	---------------------	--------	----------------------------------	--	--------------------	------------

AS3654		ST TOOL BAR 4.0M		
ITEM	PART NO	DESCRIPTION	QTY	COMMENTS
1	AS2962	ST TINE ASSEMBLY	7	
2	AS3657	ST UNIT & CONVERTER	7	
3	P00012	BOLT M20x100 GR. 8.8	4	
4	P01054	PIN Ø25x140	1	
5	P01224	BOLT M20x180 GR. 8.8	4	
6	P01352	BOLT M16x150 GR. 8.8	4	
7	P02008	NUT LOCK M16 'TYPE T'	4	
8	P02484	LYNCH PIN CAT 2	6	
9	P02485	R CLIP Ø6x120	7	
10	P02602	WASHER FLAT M16	7	
11	P04959	TOPLINK CAT 2 9"	1	
12	P05122	SERIAL PLATE	1	
13	P05207	PIN Ø16x73	6	
14	P06857	BOLT M6x12 GR. 8.8	4	
15	P07543	PLASTIC END CAP 40x40	6	
16	P12725	POINT REMOVAL TOOL	1	
17	P13092	RIVET Ø3x10x Ø6 HEAD	4	
18	P13775	PARKING STAND LEG	2	
19	P14517	CLAMP PLATE 132x92/82	2	
20	P14754	BALL CAT 3 LOWER Ø37	2	
21	P14977	ST BAR 4.0M	1	
22	P14996	CAT 3 LOWER LINK PIN TO SUIT ST BAR	2	
23	P14997	PARKING STAND LEG	2	
24	P14998	PARKING STAND LEG	2	
25	P14999	LOWER BALL SPACER CAT 3	2	
26	P15003	PARKING STAND BASE	2	
27	P15004	RETAINING PLATE	2	
28	P17815	MANUAL HOLDER - COMPLETE	1	
29	P17906	UPPER LINK PIN - CAT 3	1	
30	P17918	PIN - Ø36x182	2	
31	P17920	MANUAL - ST-TOOLBAR 2011	1	
32				
33				
34				
35				
36				
37				
38				
39				
40				
41				
42				
43				
44				
45				
46				
47				
48				
49				
50				



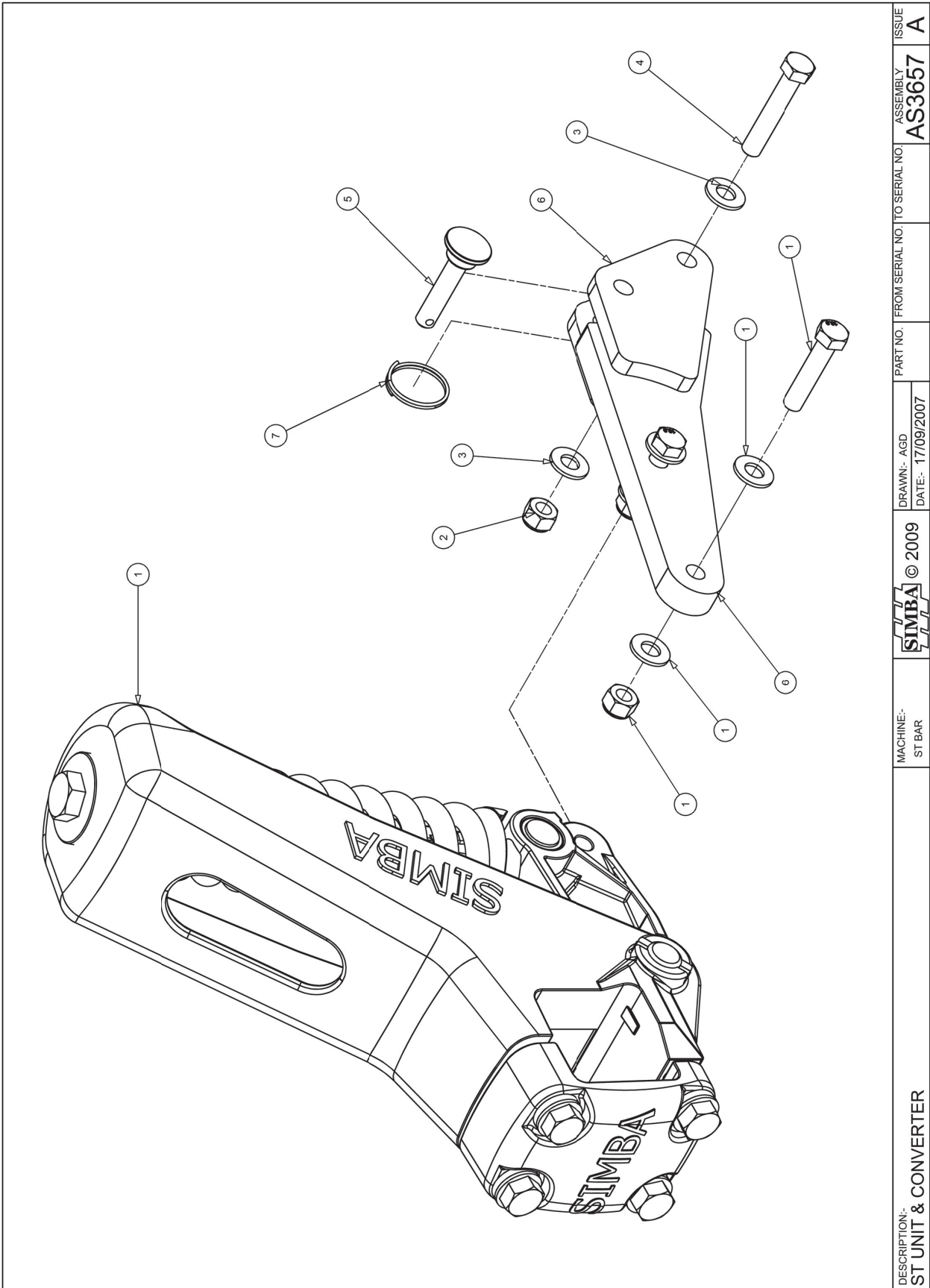
DESCRIPTION:- HD ST TOOLBAR 4.0M	MACHINE:- ST BAR	© 2007	DRAWN:- P.J.G DATE:- 07/10/2010	PART NO. FROM SERIAL NO. TO SERIAL NO.	ASSEMBLY AS3655	ISSUE B
-------------------------------------	---------------------	--------	------------------------------------	--	--------------------	------------

AS3655		HD ST TOOLBAR 4.0m		
ITEM	PART NO	DESCRIPTION	QTY	COMMENTS
1	AS2962	ST TINE ASSEMBLY	7	
2	AS3368	STICKER ASSEMBLY - HD ST-BAR 4.0m	1	
3	AS3369	HYD COMPONENTS - HD ST-BAR 4.0m	1	
4	AS3657	ST UNIT & CONVERTER	7	
5	P00012	BOLT M20x100 GR. 8.8	4	
6	P00159	TOPLINK CAT 3 19"	1	
7	P01224	BOLT M20x180 GR. 8.8	4	
8	P02035	WASHER SPRING M10	2	
9	P02485	R CLIP Ø6x120	3	
10	P04423	LYNCH PIN CAT 3	2	
11	P05122	SERIAL PLATE	1	
12	P05207	PIN Ø16x73	2	
13	P06857	BOLT M6x12 GR. 8.8	3	
14	P07543	PLASTIC END CAP 40x40	2	
15	P08681	SETSCREW M10x20 GR8.8	2	
16	P09092	HOSE STOWAGE PLATE	1	
17	P09166	LYNCH PIN CAT 2 LOCKING	4	
18	P12725	POINT REMOVAL TOOL	1	
19	P13775	PARKING STAND LEG	2	
20	P14517	CLAMP PLATE 132x92/82	2	
21	P14754	BALL CAT 3 LOWER Ø37	2	
22	P14996	CAT 3 LOWER LINK PIN TO SUIT ST BAR	2	
23	P14999	LOWER BALL SPACER CAT 3	2	
24	P16235	HD ST BAR 4.0M	1	
25	P17391	PIN - Ø36x182	2	
26	P17392	PIN UPPER LINK CAT 3	2	
27	P17758	BUSH Ø70xØ40x10	4	
28	P17815	MANUAL HOLDER - COMPLETE	1	
29	P17920	MANUAL - ST-TOOLBAR 2011	1	
30				
31				
32				
33				
34				
35				
36				
37				
38				
39				
40				
41				
42				
43				
44				
45				
46				
47				
48				
49				
50				



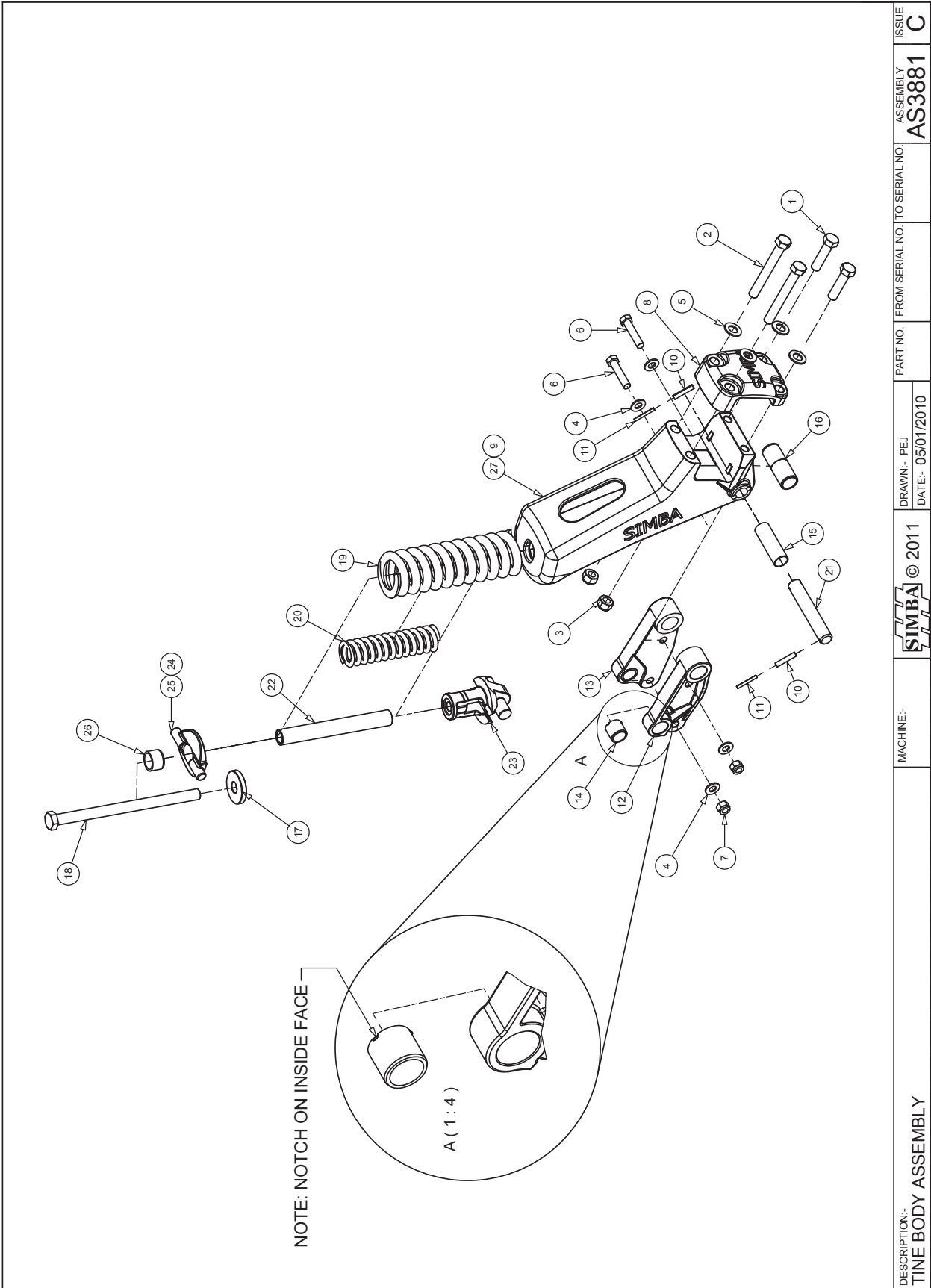
DESCRIPTION:- HYD COMPONENTS - HD ST-BAR 4.0m	MACHINE:- ST-BAR	© 2007	DRAWN:- AGD DATE:- 22/01/2008	PART NO. P16284	FROM SERIAL NO. TO SERIAL NO.	ASSEMBLY AS3369	ISSUE B
--	---------------------	--------	----------------------------------	--------------------	-------------------------------	--------------------	------------

AS3369		HYDRAULIC COMPONENTS		
ITEM	PART NO	DESCRIPTION	QTY	COMMENTS
1	P00205	QUICK RELEASE MALE - 1/2" BSP	6	
2	P01796	M3/8"-F1/2"	6	
3	P02263	DOWTY SEAL 1/2" BSP	12	
4	P02730	QUICK RELEASE FEM. 1/2" BSP	6	
5	P02735	BULKHEAD 1/2" BSP	6	
6	P03686	ADAPTOR MALE - MALE 1/2"-3/8" BSP	6	
7	P09345	HA 3/8x1620	6	
8	P09537	CAP FOR MALE - YELLOW	2	
9	P09538	CAP FEMALE - YELLOW	2	
10	P09539	CAP FOR MALE - RED	2	
11	P09540	CAP FEMALE - RED	2	
12	P09541	CAP FOR MALE - GREEN	2	
13	P09542	CAP FEMALE - GREEN	2	
14				
15				
16				
17				
18				
19				
20				
21				
22				
23				
24				
25				
26				
27				
28				
29				
30				
31				
32				
33				
34				
35				
36				
37				
38				
39				
40				
41				
42				
43				
44				
45				
46				
47				
48				
49				
50				



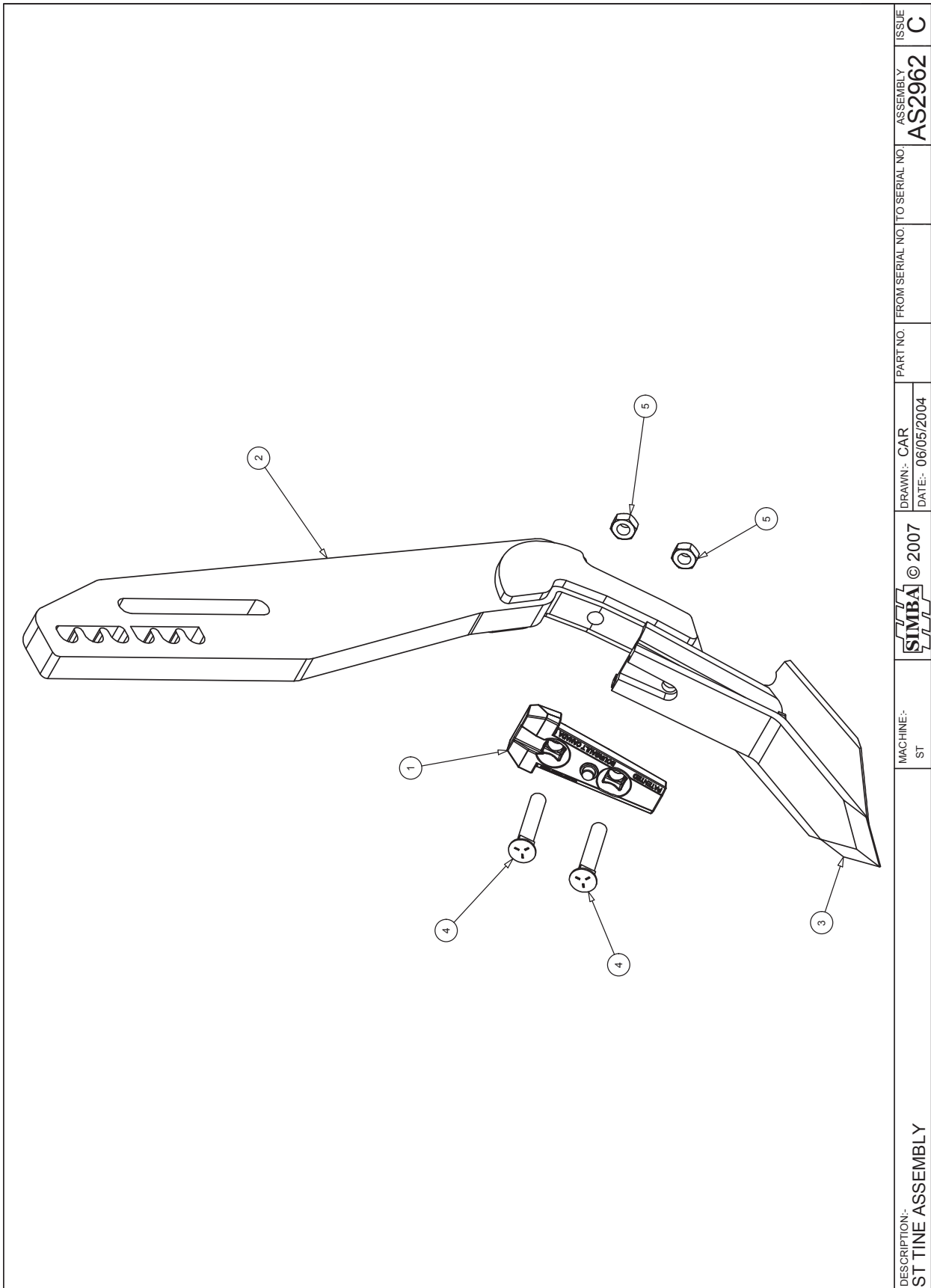
DESCRIPTION:- ST UNIT & CONVERTER	MACHINE:- ST BAR	 © 2009	DRAWN:- AGD DATE:- 17/09/2007	PART NO. FROM SERIAL NO. TO SERIAL NO. AS3657	ISSUE A
--------------------------------------	---------------------	--	----------------------------------	--	------------

AS3657		ST UNIT & CONVERTER		
ITEM	PART NO	DESCRIPTION	QTY	COMMENTS
1	AS3881	TINE BODY ASSEMBLY	1	
2	P02008	NUT LOCK M16 'TYPE T'	1	
3	P02602	WASHER FLAT M16	2	
4	P02649	BOLT M16x90 GR. 8.8	1	
5	P05207	PIN Ø16x73	1	
6	P12911	CONVERTER	1	
7	P16788	CIRCLE COTTER 52X2.6	1	
8				
9				
10				
11				
12				
13				
14				
15				
16				
17				
18				
19				
20				
21				
22				
23				
24				
25				
26				
27				
28				
29				
30				
31				
32				
33				
34				
35				
36				
37				
38				
39				
40				
41				
42				
43				
44				
45				
46				
47				
48				
49				
50				

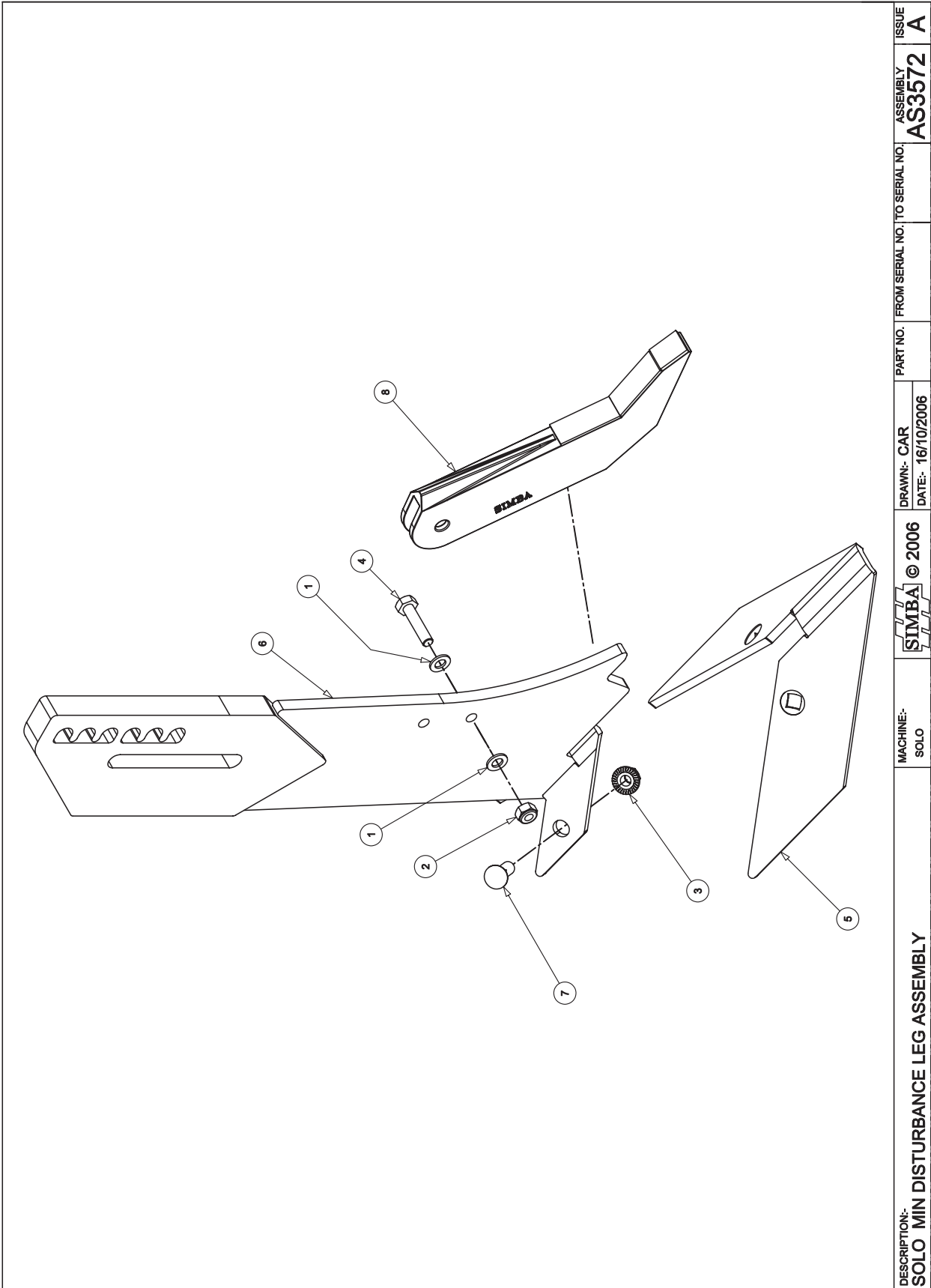


DESCRIPTION: TINE BODY ASSEMBLY	MACHINE:-	SIMBA © 2011	DRAWN:- PEJ DATE:- 05/01/2010	PART NO. FROM SERIAL NO. TO SERIAL NO.	ASSEMBLY AS3881	ISSUE C
------------------------------------	-----------	--------------	----------------------------------	--	--------------------	------------

AS3881		TINE BODY ASSEMBLY		
ITEM	PART NO	DESCRIPTION	QTY	COMMENTS
1	P00407	BOLT M20x80 GR. 8.8	2	TORQUE TO 450Nm
2	P01638	BOLT M20x160 GR. 8.8	2	TORQUE TO 450Nm
3	P02009	NUT LOCK M20	2	
4	P02602	WASHER FLAT M16	4	
5	P02603	WASHER FLAT M20	4	
6	P14588	BOLT M16x75 GR10.9	2	
7	P17431	NUT LOCK M16 PHILIDAS	2	
8	P17453	CLAMP	1	
9	P17454	TINE COMPLETE	1	
10	P14782	ROLL PIN Ø10x50	2	
11	P14783	ROLL PIN Ø6x50	2	
12	P17346	TINE ARM RH	1	
13	P17347	TINE ARM LH	1	
14	P17348	BUSH SPRUNG - Ø38xØ30x34.5	2	
15	P17353	BUSH Ø34xØ30x105	1	
16	P17354	BEARING TUBE	1	
17	P17355	WASHER Ø75xØ25x12	1	
18	P17356	BOLT M24x360 GR. 8.8	1	
19	P17357	SPRING Ø103	1	
20	P17358	SPRING Ø60	1	
21	P17359	MAIN PIVOT	1	
22	P17360	SPRING TUBE	1	
23	P17364	SPRING PIVOT ASSEMBLY	1	
24	P17365	SPRING TOP PLATE ASSEMBLY	1	
25	P17349	CASTING	1	
26	P17350	BUSH SPRUNG - Ø44xØ36x30	1	
27	P17452	TINE BODY	1	
28				
29				
30				
31				
32				
33				
34				
35				
36				
37				
38				
39				
40				
41				
42				
43				
44				
45				
46				
47				
48				
49				
50				



AS2962		ST TINE ASSEMBLY		
ITEM	PART NO	DESCRIPTION	QTY	COMMENTS
1	P12711	WEDGE COMPLETE	1	
2	P13093	TINE - ST TYPE	1	
3	P14597	POINT 100mm HD	1	
4	P14913	BOLT 1/2" UNCx3" CSK SQ.	2	
5	P14914	NUT LOCK 1/2" UNC	2	
6				
7				
8				
9				
10				
11				
12				
13				
14				
15				
16				
17				
18				
19				
20				
21				
22				
23				
24				
25				
26				
27				
28				
29				
30				
31				
32				
33				
34				
35				
36				
37				
38				
39				
40				
41				
42				
43				
44				
45				
46				
47				
48				
49				
50				

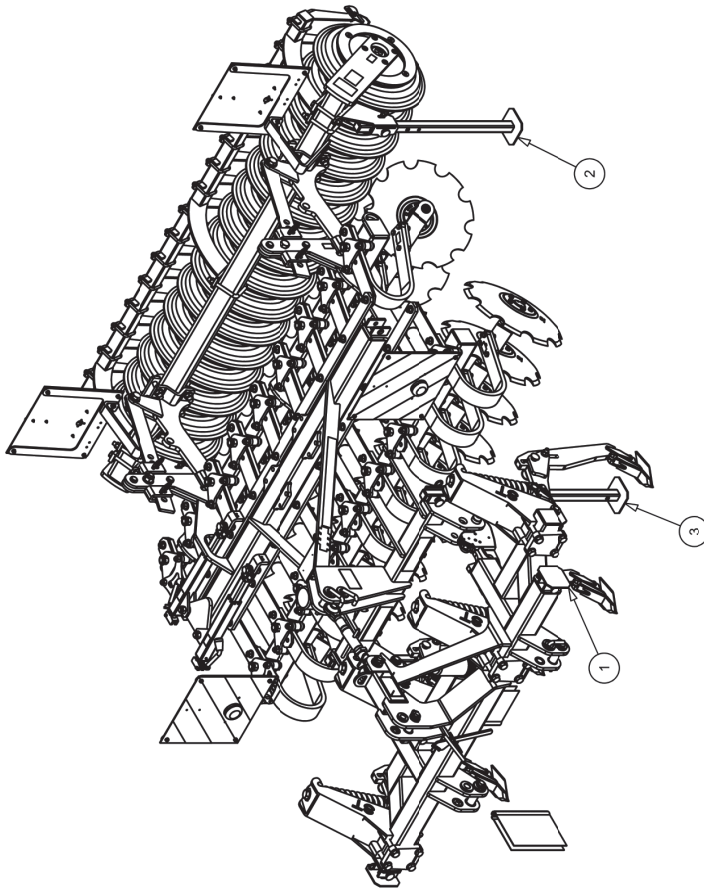


DESCRIPTION:- SOLO MIN DISTURBANCE LEG ASSEMBLY	MACHINE:- SOLO	© 2006	DRAWN:- CAR DATE:- 16/10/2006	PART NO. FROM SERIAL NO. TO SERIAL NO.	ASSEMBLY AS3572	ISSUE A
---	-------------------	---------------	----------------------------------	--	---------------------------	-------------------

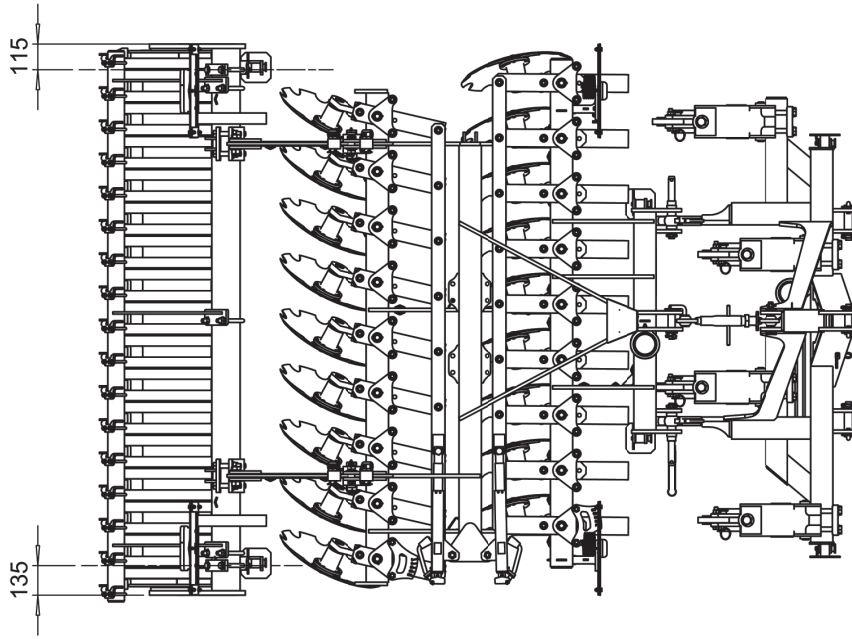
AS3572		SOLO MIN DISTURBANCE LEG		
ITEM	PART NO	DESCRIPTION	QTY	COMMENTS
1	P02600	WASHER FLAT M10	2	
2	P05534	NUT LOCK M10	1	
3	P11275	NUT TOOTHED M12	2	
4	P12778	BOLT M10x45 GR8.8	1	
5	P13812	WING - LD	1	
6	P13813	TINE - LD 25x630	1	
7	P15809	BOLT M12x40 CSK SQ 8.8	2	
8	P15957	POINT EP	1	
9				
10				
11				
12				
13				
14				
15				
16				
17				
18				
19				
20				
21				
22				
23				
24				
25				
26				
27				
28				
29				
30				
31				
32				
33				
34				
35				
36				
37				
38				
39				
40				
41				
42				
43				
44				
45				
46				
47				
48				
49				
50				

STANDS FITTED TO REAR OF XPRESS (ITEM NO. 2)
 USED IN MID RANGE WHEN ST BAR AND
 XPRESS ARE COMBINED, PARK COMBINATION
 ON ST BAR POINTS AN REAR STANDS.

USE REAR STANDS (ITEM NO. 2 IN EXTENDED
 RANGE AND XPRESS FRONT STANDS (ITEM NO. 3)
 WHEN DETACHING AND ATACHING ST BAR.



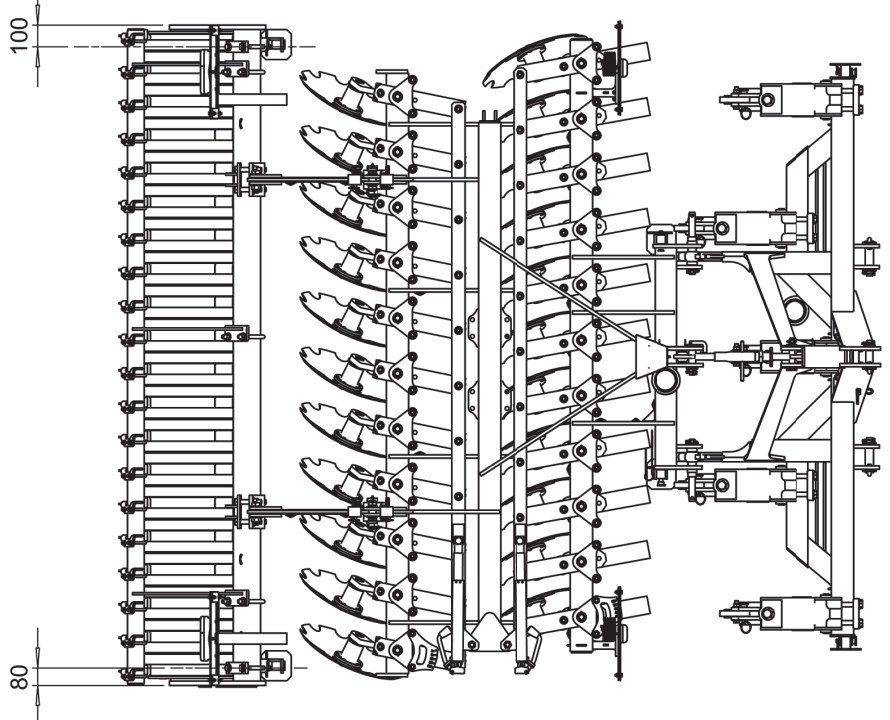
ST BAR STANDS (ITEM NO. 1) USED WHEN ST BAR DETACHED,
 PARK ST BAR ON STANDS AND POINTS.

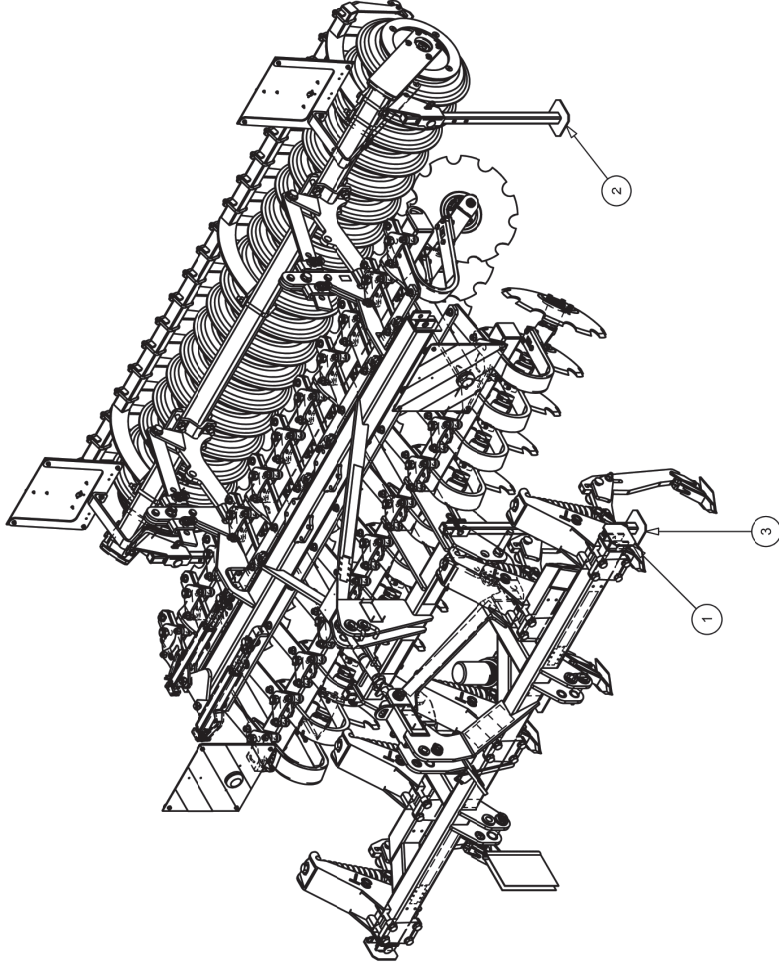


DESCRIPTION: ST-BAR 2.5m + 2.5m X-PRESS	MACHINE:- ST BAR	 © 2009	DRAWN:- CAR DATE:- 30/11/2009	PART NO. FROM SERIAL NO. TO SERIAL NO.	ASSEMBLY AS3926 ISSUE A
--	---------------------	--	----------------------------------	--	----------------------------------


STANDS FITTED TO REAR OF XPRESS (ITEM NO. 2)
USED IN MID RANGE WHEN ST BAR AND
XPRESS ARE COMBINED, PARK COMBINATION
ON ST BAR POINTS AN REAR STANDS.

USE REAR STANDS (ITEM NO. 2 IN EXTENDED
RANGE AND XPRESS FRONT STANDS (ITEM NO. 3)
WHEN DETACHING AND ATACHING ST BAR.



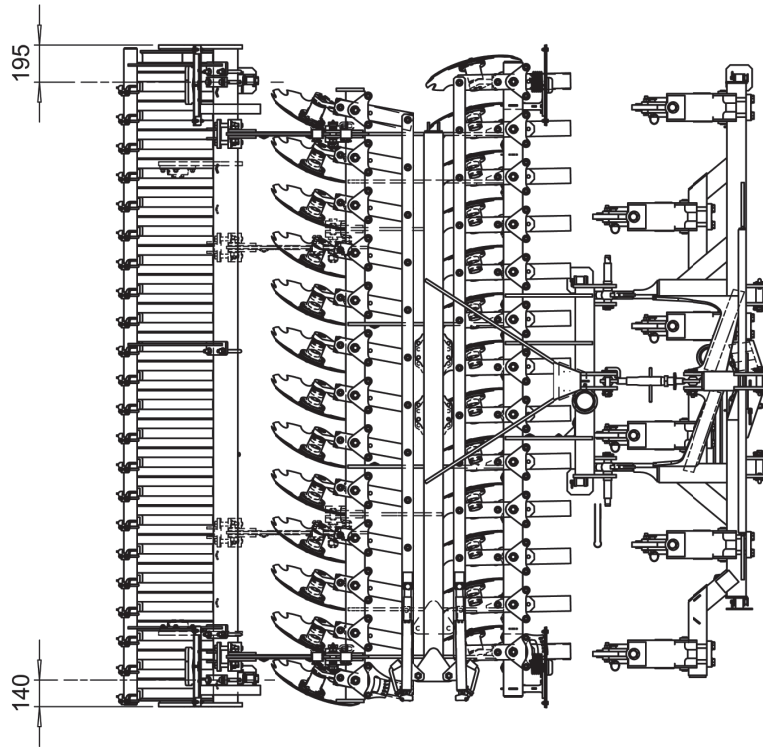
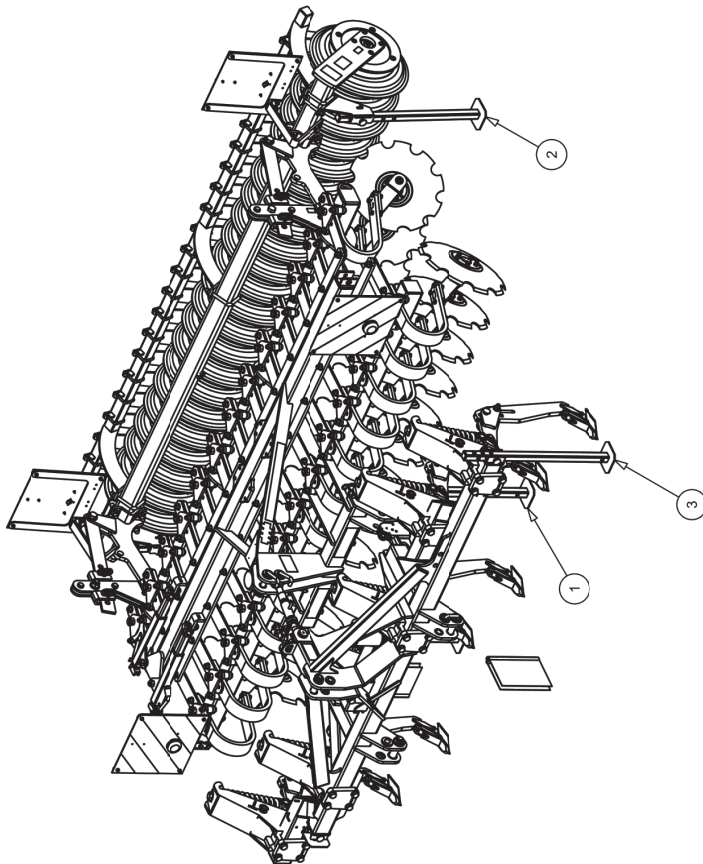


ST BAR STANDS (ITEM NO. 1) USED WHEN ST BAR DETACHED,
PARK ST BAR ON STANDS AND POINTS.

DRAWING:- CAR DATE:- 30/11/2009	 © 2009	PART NO. FROM SERIAL NO. TO SERIAL NO. ASSEMBLY AS3927	ISSUE A
DESCRIPTION:- ST-BAR 3.0m + 3.0m X-PRESS		MACHINE:- ST BAR	

STANDS FITTED TO REAR OF XPRESS (ITEM NO. 2)
 USED IN MID RANGE WHEN ST BAR AND
 XPRESS ARE COMBINED, PARK COMBINATION
 ON ST BAR POINTS AN REAR STANDS.

USE REAR STANDS (ITEM NO. 2 IN EXTENDED
 RANGE AND XPRESS FRONT STANDS (ITEM NO. 3)
 WHEN DETACHING AND ATACHING ST BAR.



ST BAR STANDS (ITEM NO. 1) USED WHEN ST BAR DETACHED,
 PARK ST BAR ON STANDS AND POINTS.

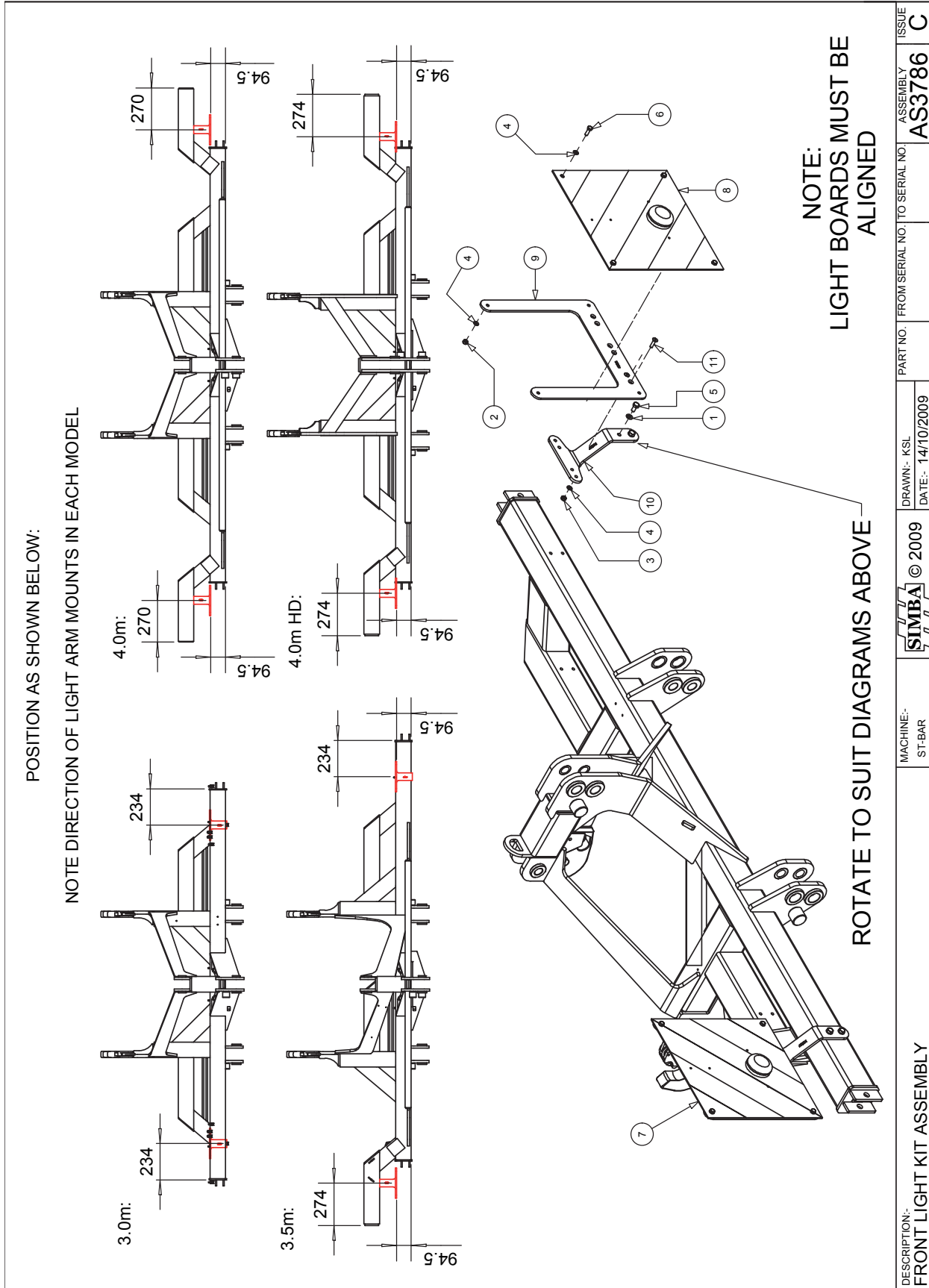
DESCRIPTION:- ST-BAR 3.5m + 3.5m X-PRESS	MACHINE:- ST BAR	© 2009	DRAWN:- CAR DATE:- 30/11/2009	PART NO. FROM SERIAL NO. TO SERIAL NO.	ASSEMBLY AS3928	ISSUE A
---	---------------------	--------	----------------------------------	--	--------------------	------------

STANDS FITTED TO REAR OF X-PRESS (ITEM NO. 2)
USED IN MID RANGE WHEN ST BAR AND
X-PRESS ARE COMBINED, PARK COMBINATION
ON ST BAR POINTS AN REAR STANDS.

USE REAR STANDS (ITEM NO. 2 IN EXTENDED
RANGE AND X-PRESS FRONT STANDS (ITEM NO. 3)
WHEN DETACHING AND ATACHING ST BAR.

ST BAR STANDS (ITEM NO. 1) USED WHEN ST BAR DETACHED,
PARK ST BAR ON STANDS AND POINTS.

DESCRIPTION:- ST-BAR 4.0m + 4.0m X-PRESS	MACHINE:- ST BAR	SIMBA © 2009	DRAWN:- CAR DATE:- 30/11/2009	PART NO. FROM SERIAL NO. TO SERIAL NO. AS3929	ASSEMBLY AS3929	ISSUE A
---	---------------------	--------------	----------------------------------	--	--------------------	------------



DESCRIPTION: FRONT LIGHT KIT ASSEMBLY	MACHINE: ST-BAR	© 2009	DRAWN:- KSL DATE:- 14/10/2009	PART NO. FROM SERIAL NO. TO SERIAL NO.	ASSEMBLY AS3786	ISSUE C
--	--------------------	--------	----------------------------------	--	--------------------	------------

AS3786		FRONT LIGHT KIT ASSEMBLY		
ITEM	PART NO	DESCRIPTION	QTY	COMMENTS
1	P02600	WASHER FLAT M10	4	
2	P04754	NUT LOCK M8	8	
3	P05213	NUT LOCK M8 TYPE T	4	
4	P05535	WASHER FLAT M8	20	
5	P06403	BOLT M10x20 GR. 8.8	4	
6	P09597	BOLT M8x25 GR. 8.8	8	
7	P15560	LIGHT BOARD FRH	1	
8	P15561	LIGHT BOARD FLH	1	
9	P17311	LIGHT MOUNT BOARD	2	
10	P17317	LIGHT ARM - FRONT ST	2	
11	P17318	SCREW M8x30 CSK	4	
12				
13				
14				
15				
16				
17				
18				
19				
20				
21				
22				
23				
24				
25				
26				
27				
28				
29				
30				
31				
32				
33				
34				
35				
36				
37				
38				
39				
40				
41				
42				
43				
44				
45				
46				
47				
48				
49				
50				

