

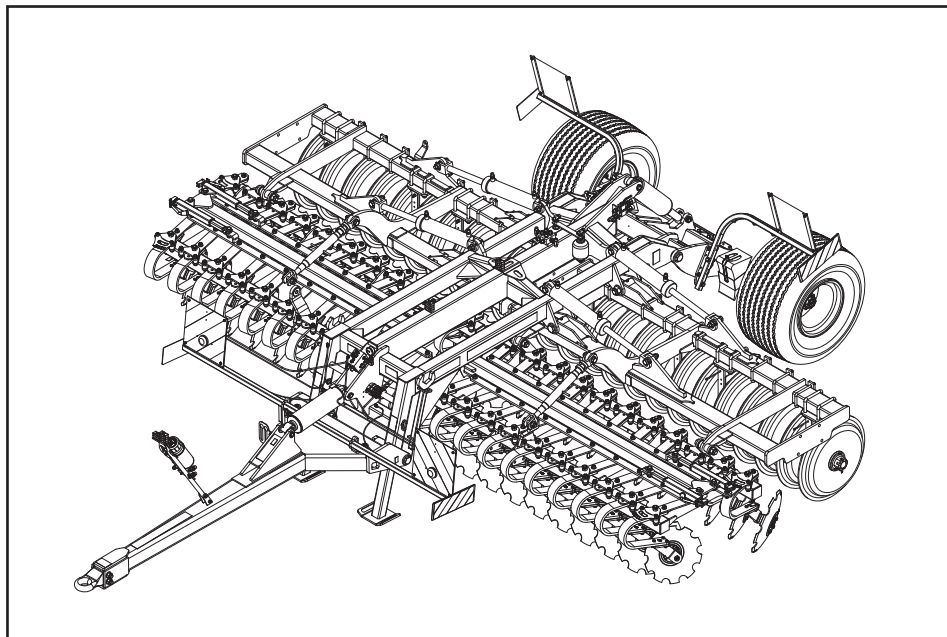
Parts Manual

Simba X-Press

 **Great Plains**
Manufacturing, Inc.
www.greatplainsmfg.com



Read the operators manual entirely. When you see this symbol, the subsequent instructions and warnings are serious - follow without exception. Your life and the lives of others depend on it!



Illustrations may show optional equipment not supplied with standard unit.

Contents

General Assembly

Drawbar Assembly.....	6
Hitches.....	8
Crossbar Linkage Pivot	10
Crossbar Linkages.....	12
Mainframe Assembly	14
Lift Axle Assembly.....	16
Braked Axle Assembly - 6 Stud	18
Rear Drawbar Assembly.....	20
Eradicator Tine Assembly	22
Wing Assembly LH	24
Wing Assembly RH.....	26
Loadbinder Assembly	28

Discs

Disc Frame Assembly LH (Limited Angle)	30
Disc Frame Assembly RH (Limited Angle).....	32
Disc Frame Assembly LH (Variable Angle).....	34
Disc Frame Assembly RH (Variable Angle)	36
Disc Frame Adjuster Assembly.....	38
Disc Arm Assembly (Single Hub).....	40
Disc Arm Assembly (Twin Hub)	42
Disc Hub Configurations.....	44
Disc Blades.....	46

Rollers

HD, V & ML Rollers	48
DDL600 Roll	50
Pillar for DDL600, ML, V & HD Rolls	52
Scraper Rail (For DDL600, ML & HD Roll).....	54
DD700 Roll Axles.....	56
DD700 Pillar	58
DD700 Scrapers	60

Electrics

Wiring Loom	62
-------------------	----

Brakes

Brakes - Air.....	64
Brakes - Hydraulic	66

Hydraulics

Hydraulic Lift Circuit.....	68
Hydraulic Fold Circuit (4.6m).....	70
Hydraulic Fold Circuit (5.5m & 6.6m).....	72

Misc

Standard Torques & Pressures.....	74
-----------------------------------	----

Contents (Alphabetical Order)

Braked Axle Assembly - 6 Stud	18
Brakes - Air	64
Brakes - Hydraulic	66
Crossbar Linkage Pivot	10
Crossbar Linkages.....	12
DD700 Pillar	58
DD700 Roll Axles.....	56
DD700 Scrapers.....	60
DDL600 Roll	50
Disc Arm Assembly (Single Hub).....	40
Disc Arm Assembly (Twin Hub)	42
Disc Blades.....	46
Disc Frame Adjuster Assembly.....	38
Disc Frame Assembly LH (Limited Angle)	30
Disc Frame Assembly LH (Variable Angle).....	34
Disc Frame Assembly RH (Limited Angle).....	32
Disc Frame Assembly RH (Variable Angle)	36
Disc Hub Configurations.....	44
Drawbar Assembly.....	6
Eradicator Tine Assembly	22
HD, V & ML Rollers	48
Hitches.....	8
Hydraulic Fold Circuit (4.6m).....	70
Hydraulic Fold Circuit (5.5m & 6.6m).....	72
Hydraulic Lift Circuit.....	68
Lift Axle Assembly.....	16
Loadbinder Assembly	28
Mainframe Assembly	14
Pillar for DDL600, ML, V & HD Rolls	52
Rear Drawbar Assembly.....	20
Scraper Rail (For DDL600, ML & HD Roll)	54
Standard Torques & Pressures.....	74
Wing Assembly LH	24
Wing Assembly RH.....	26
Wiring Loom	62

Using This Manual

This manual is divided into sections. The first section contains General Information, a Table of Contents and an Alphabetical Page Index. The remaining sections divide the machine into segments (i.e. Frames, Hydraulics, etc.) which illustrate and list all parts.

The Great Plains parts in this manual are specially designed for this machine and should be replaced with Great Plains parts only.

The information in this manual is current at printing. Some parts may change to assure top performance.

Right-hand and left-hand as used in this manual are determined by facing the direction the machine will travel while in use.

Below is an example of two facing pages from a parts manual. Familiarize yourself with the contents of these pages.

Manual Replacement

Replacement manuals are available. Refer to your dealer for additional information.

Manual Revisions

When this manual is revised, the modification date is printed on the front cover and on the revised page(s).

Touch-up Paint

Repaint parts where paint is worn or scratched to prevent rust. Aerosol touch-up paint is available. To order use Great Plains parts numbers below:

- GP Green 821-001C
- GP Black 821-002C

Illustration Title → Tine Mount - Shear Bolt

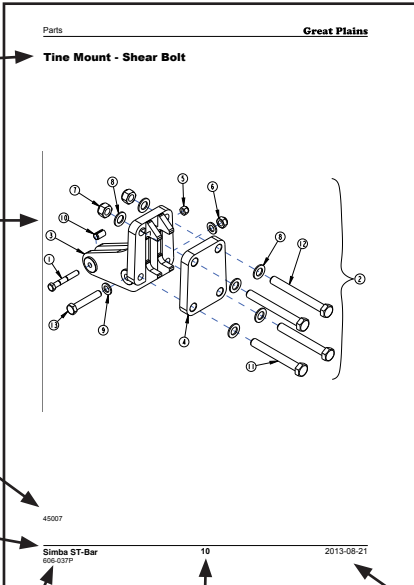


Illustration Number → 45007

Machine → Simba ST-Bar 606-037P

Manual Part Number → 10

Page number → 2013-08-21

Parts List →

Item	Part No.	Part Description	Comments
1	604-309D	HHCS M12X1.75X85 GR10.9 SPTHD	
2	606-038A	SHEAR BOLT UNIT CIVI C/PLATE	COMPLETE UNIT AS SHOWN
3	606-041H	TINE SHEAR CLAMP	
4	606-078D	PLATE 25MM	
5	803-281C	NUT HEX NYLOCK M12X1.75 FLT	
6	803-282C	NUT HEX M16X2.00 NYLON INSERT	
7	803-393C	NUT HEX NYLOCK M20X2.5	
8	804-244C	WASHER FLAT M20 FLT	
9	804-241C	WASHER FLAT M16 FLT	
10	827-143C	BUSH SPRUNG 4716.5X2013.5X26.15	
11	842-050C	HHCS M20X2.0X180 GR8.8	
12	842-051C	HHCS M20X2.0X180 GR8.8	
13	842-098C	HHCS M16X2X90 GR8.8 SPTHD	

Modification Date → 2013-08-21

Manual Part Number → 11

Machine → Simba ST-Bar 606-037P

Hardware Legend

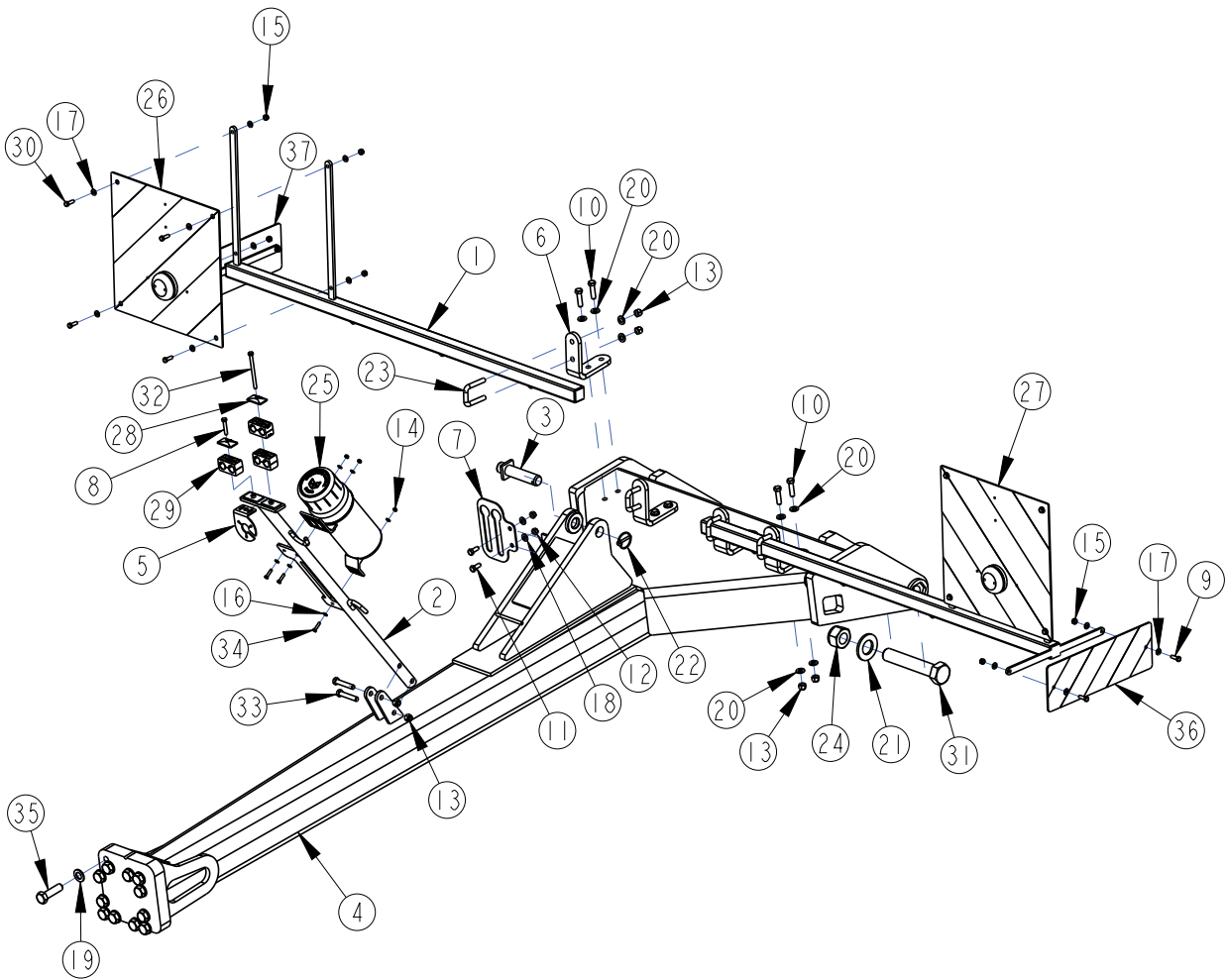
ADJ	Adjuster
AR	As Required
BSP	British Standard Pipe
C	Cap Screw
CP	Cotter Pin
CPHSSS	Cup Point Hex Socket Set Screw
CPSHSS	Cup Point Square Head Set Screw
CPSQHSS	Cup Point Square Head Set Screw
CRFCHMS	Cross Recess Flat Countersunk Head Mach. Screw
CRPHMS	Cross Recess Pan Head Machine Screw
CRPHTFS	Cross Recess Pan Head Thread Forming
CRRHMS	Cross Recess Round Head Machine Screw
CRTHMS	Cross Recess Truss Head Machine Screw
CSNB	Countersunk Square Neck Bolt
FHMS	Flat Head Machine Screw
FTC	Full Thread Cap Screw
H	Hex Nut
HCLN	Hex Center Lock Nut
HFLCS	Hex Flange Lock Cap Screw
HFS	Hex Flange Screw
HFSLN	Hex Flange Serrated Lock Nut
HFSS	Hex Flange Serrated Screw
HHCS	Hex Head Cap Screw or Metric Bolt
HSBHCS	Hex Socket Button Head Cap Screw
HSFCHCS	Hex Socket Flat Countersunk Head Cap Screw
HSHCS	Hex Socket Head Cap Screw
HSSS	Hex Socket Head Screw
HTLN	Hex Top Lock Nut
HWHCS	Hex Washer Head Cap Screw

HWHMS	Hex Washer Head Machine Screw
HXBHCS	Hex Socket Button Head Cap Screw
J	Hex Jam Nut
JIC	37 Degree Tapered Thread
L	Helical Spring Lock Washer
LH	Left Hand
LUG	Lug Bolt
NFC	National Fine Cap Screw
NPSM	National Pipe Straight Mechanical
NPTF	National Pipe Taper Fuel
P	Wide Plain Washer
PHMS	Pan Head Machine Screw
PLOW	Plow Bolt
QRC	Quick Release Coupling
RH	Right Hand
RHMS	Round Head Machine Screw
RHSNB	Round Head Square Neck Bolt
SFCHMS	Slotted Flat Countersunk Head Machine Screw
SFHMS	Slotted Fillister Head Machine Screw
SP	Special
SP SCREW	Special Screw
SQHSS	Square Head Set Screw
SRHMS	Slotted Round Head Machine Screw
SSS	Socket Set Screw
STCS	Self Tapping Cap Screw
STHMS	Slotted Truss Head Machine Screw
WHEEL	Wheel Studs and Hub Long Bolts
WING	Wing Bolt

Replacement Hardware

The Hardware Legend above lists hardware abbreviations used in the parts lists. The use of improper grades of hardware can result in personal injury, damage to equipment, or loss of property.

Drawbar Assembly

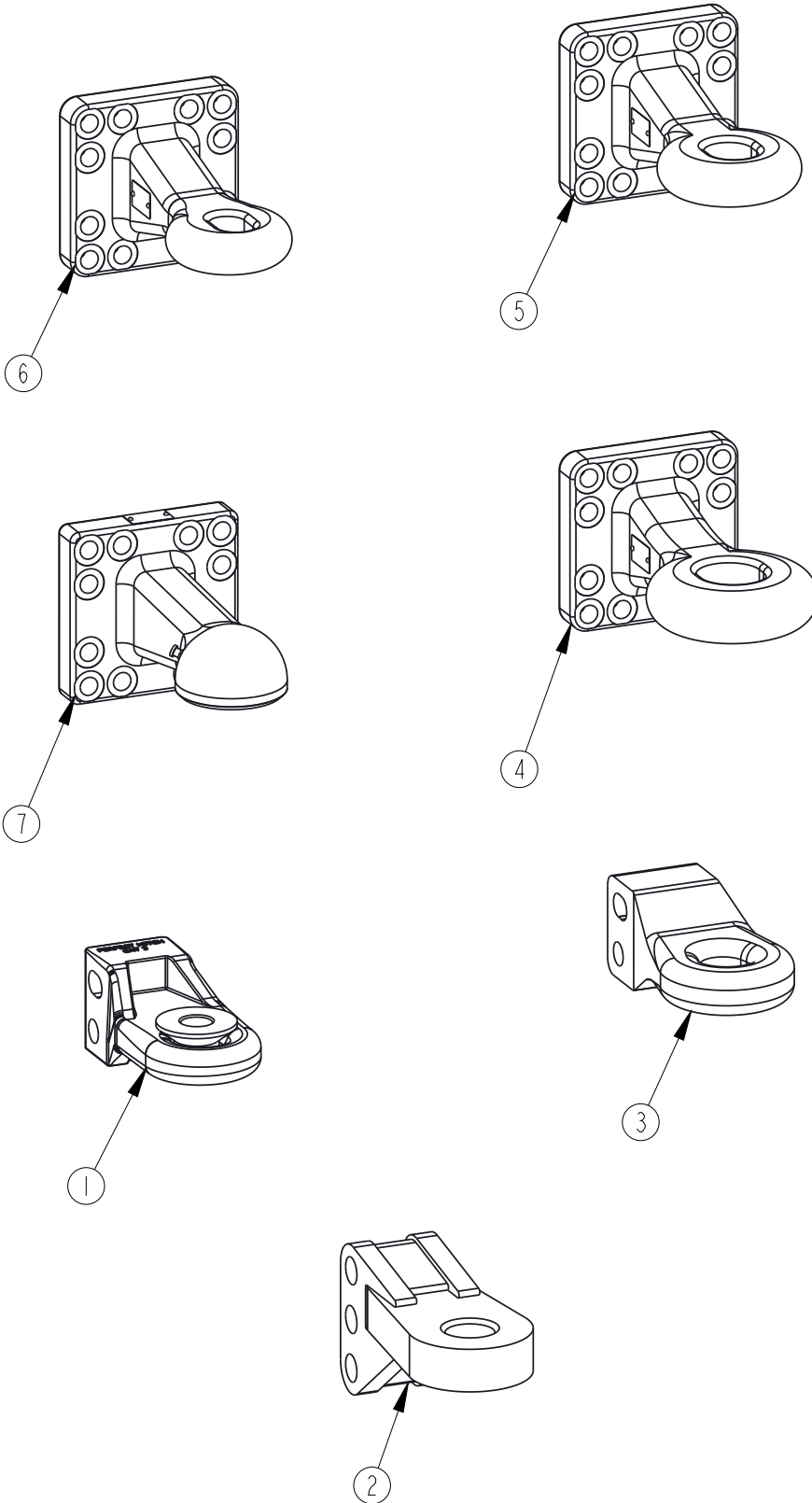


53007

Drawbar Assembly

Item	Part No.	Part Description	Comments
1	601-092H	FRONT LIGHT MOUNT	
2	601-150H	HOSE MAST - X-PRESS	
3	601-219H	PIN Ø30X138	
4	601-310H	X-PRESS DRAWBAR ISO PLATE	
5	601-415D	SOCKET PLATE 12N	
6	601-417D	LIGHT ARM MOUNT	
7	611-156D	HOSE STOWAGE PLATE	
8	802-683C	HHCS M8X1.25X45 GR8.8	
9	802-714C	HHCS M8X1.25X25 GR8.8	
10	802-723C	HHCS M12X1.75X45 YELW DIE G8.8	
11	802-997C	HHCS M10X1.5X25 GR8.8	
12	803-280C	NUT HEX NYLOCK M10X1.5 PLT	
13	803-281C	NUT HEX NYLOCK M12X1.75 PLT	
14	803-354C	NUT HEX M6-1	
15	803-422C	NUT HEX M8X2.00 NYLON INSERT	
16	804-160C	WASHER FLAT M6 PLT	
17	804-161C	WASHER FLAT M8 PLT	
18	804-162C	WASHER FLAT M10 PLT	
19	804-244C	WASHER FLAT M20 PLT	
20	804-246C	WASHER FLAT M12 PLT	
21	804-265C	WASHER FLAT M39	
22	805-448C	LYNCH PIN CAT 1	
23	806-239C	U-BOLT M12X1.75 X 42 X 70	
24	814-460C	NUT HEX M36X4 NYL INSERT	
25	817-928C	MANUAL HOLDER	
26	833-610C	LIGHT BOARD FRH	
27	833-611C	LIGHT BOARD FLH	
28	841-660C	STAUFF CLAMP-TOP PLATE	
29	841-662C	STAUFF CLAMP-1/2" PAIR	
30	842-023C	HHCS M8X1.25X25 GR8.8 FTTHD	
31	842-105C	HHCS M36X4X200 GR8.8	
32	842-117C	HHCS M8X1.25X110 GR8.8	
33	842-119C	HHCS M12X1.75X65 GR8.8	
34	842-120C	HHCS M6X1X25 GR8.8 FTTHD	
35	842-201C	HHCS M20X2.5X70 GR10.9	
36	891-291C	SIDE MARKER LH	
37	891-292C	SIDE MARKER RH	

Hitches

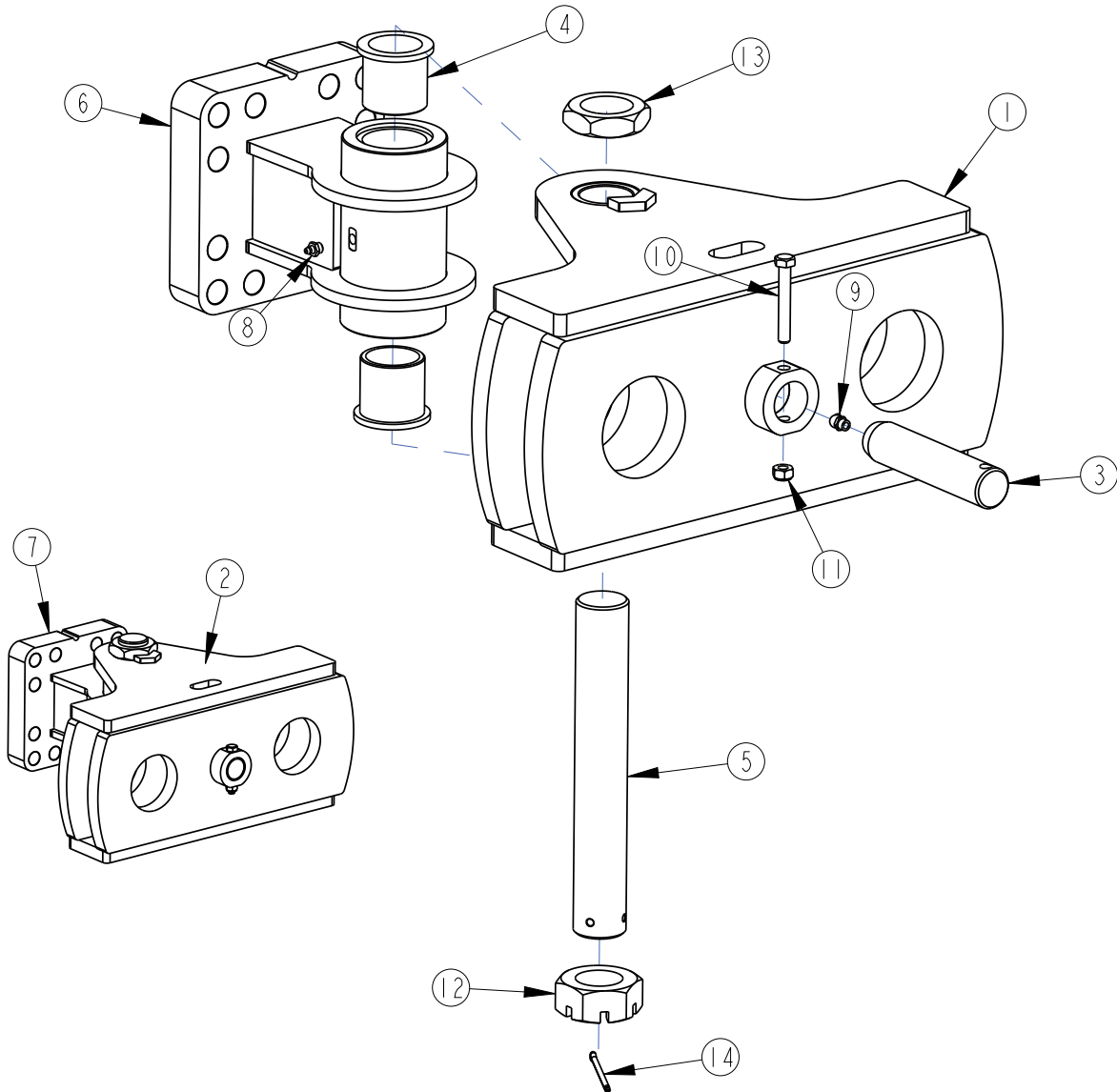


45020

Hitches

Item	Part No.	Part Description	Comments
1	608-095V	HITCH CAT 3 WITH ADAPTOR	
2	608-177H	FABRICATED HITCH	
3	812-438C	HITCH CAT4 ECONOMY - SLOTTED	
4	891-275C	CAT 5 RING-SCHARMULLER	
5	891-276C	CAT 4 RING-SCHARMULLER	
6	891-277C	CAT 3 RING-SCHARMULLER	
7	891-278C	SCHARMULLER K80	

Crossbar Linkage Pivot



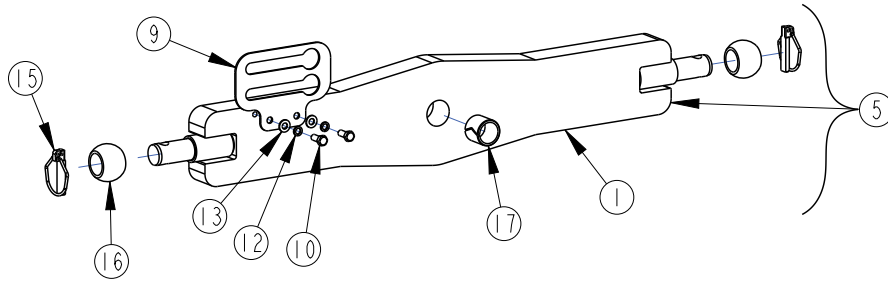
53032

Linkage Pivot

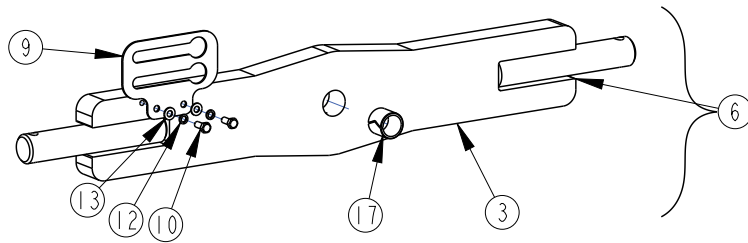
Item	Part No.	Part Description	Comments
1	603-001H	LINKAGE ADAPTOR	
2	603-197K	LINKAGE ADAPTOR ASSEMBLY	
3	603-511D	LINKAGE PIN GREASABLE	
4	603-530D	BUSH Ø65XØ45X5	
5	603-656D	BAR DIA. 45MM	
6	604-047H	LINKAGE HITCH TONGUE - DTX-TK	
7	604-122V	LINKAGE TONGUE ASSEMBLY	
8	800-417C	GREASE NIPPLE 1/8BSP	
9	800-437C	1/8" BSP GREASE NIPPLE 45°	
10	802-975C	HHCS M10X1.5X70 GR8.8	
11	803-280C	NUT HEX NYLOCK M10X1.5 PLT	
12	803-437C	NUT SLOTTED M45X3	
13	803-447C	NUT HEX THIN M45X3 PLT	
14	805-467C	PIN SPLIT Ø5X75	

Crossbar Linkages

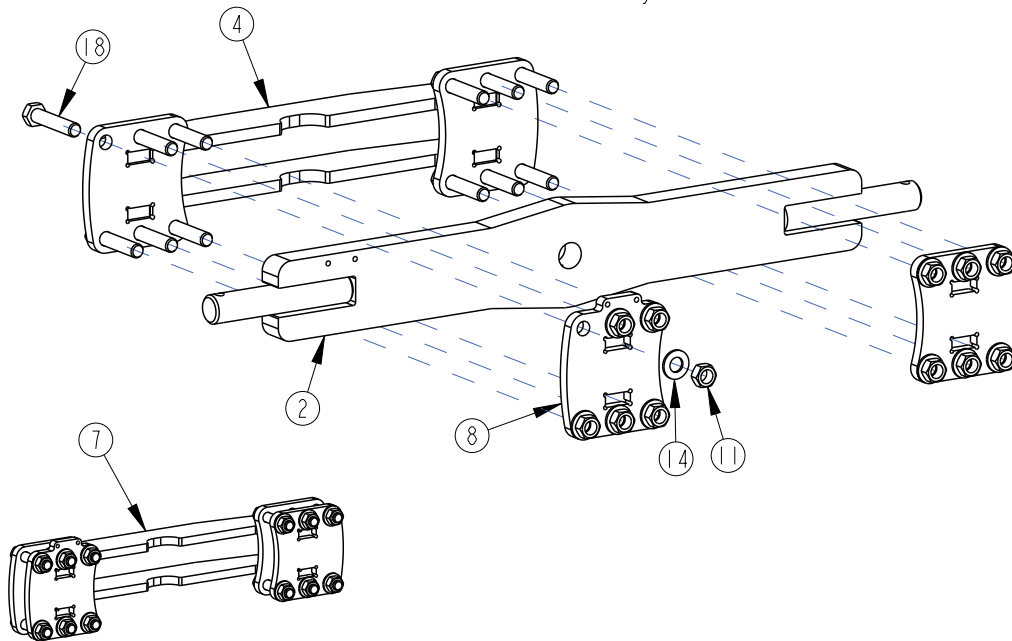
CAT 3



CAT 4



CAT 5 & Brace Assy

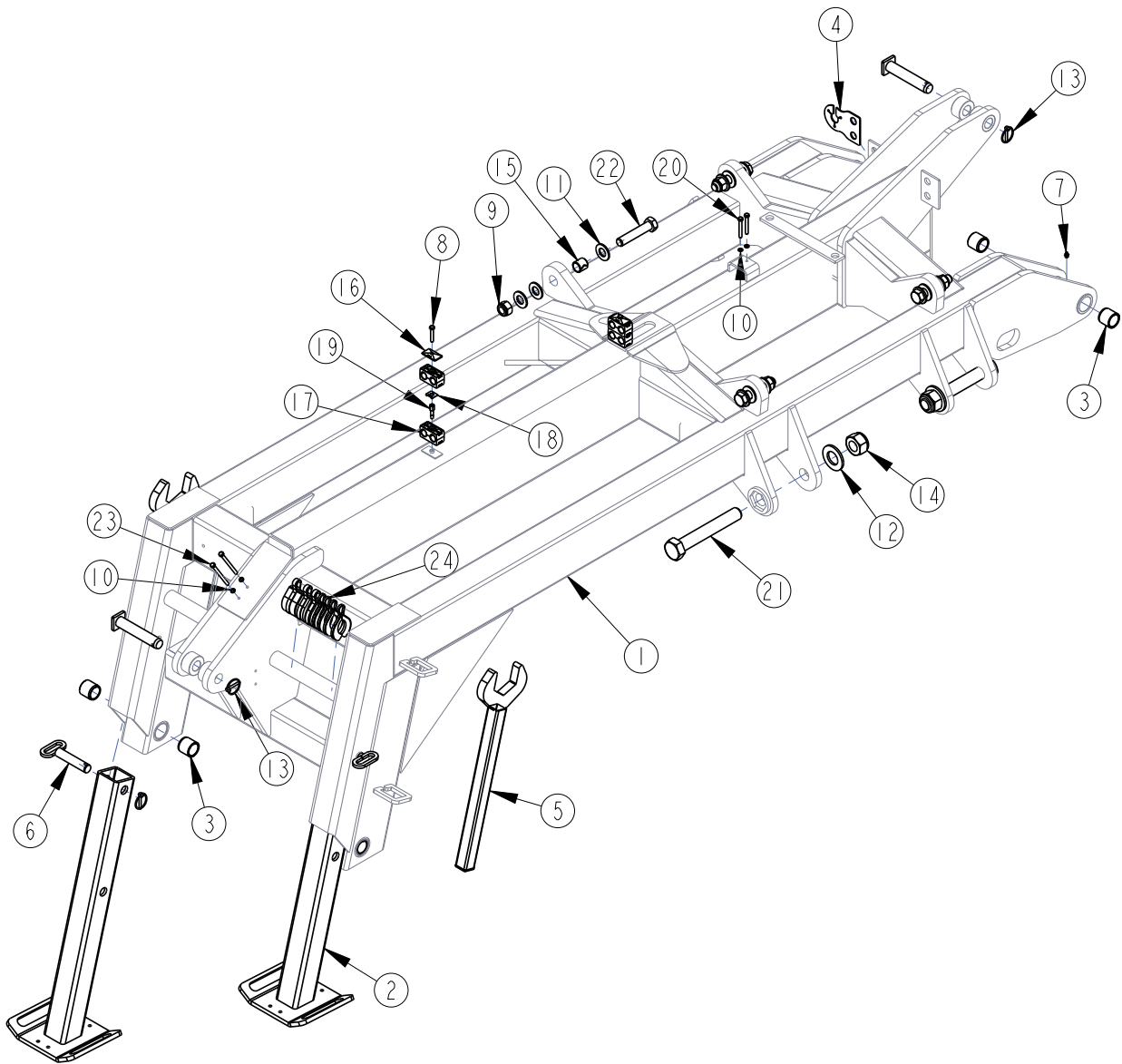


45021

Crossbar Linkages

Item	Part No.	Part Description	Comments
1	603-084H	HITCH CROSSBAR - CAT 3	
2	603-085H	HITCH CROSSBAR - CAT 4	
3	603-091H	HITCH PLATE CAT 4N	
4	603-092H	YOKE BRACE CAT 4	
5	603-198V	CAT 3 HITCH PLATE ASSEMBLY	
6	603-199V	CAT 4 HITCH PLATE ASSEMBLY	
7	603-200K	CAT 4 YOKE BRACE ASSEMBLY	
8	603-516D	CLAMP PLATE C/W HOLES	
9	611-156D	HOSE STOWAGE PLATE	
10	802-997C	HHCS M10X1.5X25 GR8.8	
11	803-438C	NUT HEX M24X3 PLT	
12	804-158C	WASHER SPRING LOCK M10 PLT	
13	804-162C	WASHER FLAT M10 PLT	
14	804-255C	WASHER FLAT M24 - OD50MM	
15	805-468C	LYNCH PIN CAT 3	
16	827-113C	BALL CAT 3 LOWER Ø37	
17	827-129C	BUSH SPRUNG - Ø45XØ36X40	
18	842-131C	HHCS M24X3X120 GR8.8	

Mainframe Assembly

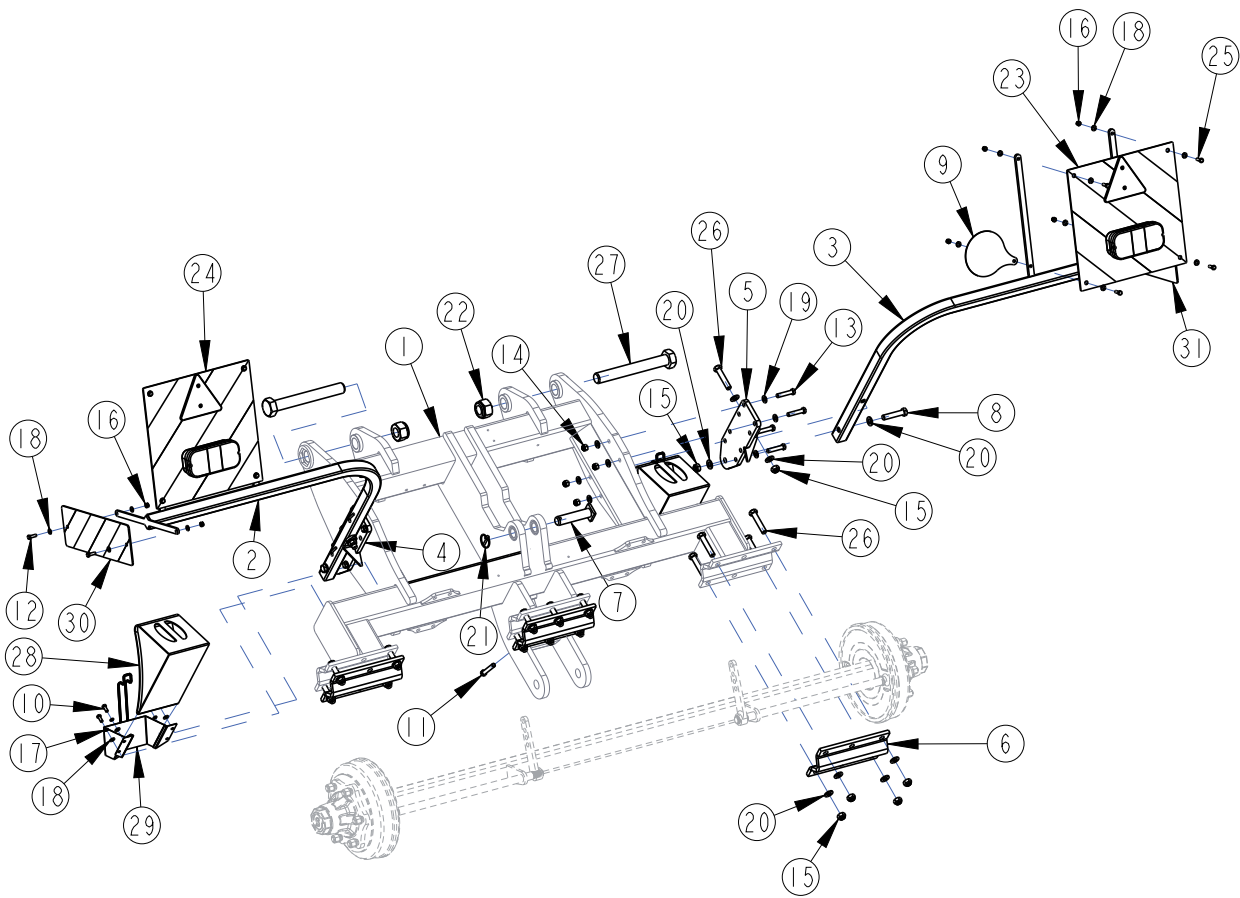


53003

Mainframe Assembly

Item	Part No.	Part Description	Comments
1	601-057H	CHASSIS	
2	601-059H	PARKING STAND - X-PRESS	
3	601-418D	BUSH Ø45 X Ø36.5 X 40	
4	601-419D	TRAILER SOCKET BULKHEAD	
5	601-438K	SPANNER - M60	
6	604-052H	PIN Ø25X118 HANDLED	
7	800-417C	GREASE NIPPLE 1/8BSP	
8	802-683C	HHCS M8X1.25X45 GR8.8	
9	803-412C	NUT HEX M24X3 NYLON INSERT	
10	804-157C	WASHER SPRING LOCK M8 PLT	
11	804-255C	WASHER FLAT M24 - OD50MM	
12	804-265C	WASHER FLAT M39	
13	805-448C	LYNCH PIN CAT 1	
14	814-460C	NUT HEX M36X4 NYL INSERT	
15	827-116C	BUSH SPRUNG - Ø32 X Ø26 X 30	
16	841-660C	STAUFF CLAMP-TOP PLATE	
17	841-662C	STAUFF CLAMP-1/2" PAIR	
18	841-665C	STAUFF CLAMP-LOCK CLIP	
19	841-666C	STAUFF CLAMP-STACK BOLT M8	
20	842-017C	HHCS M8X1.25X60 GR8.8	
21	842-085C	HHCS M36X4X240 GR8.8	
22	842-116C	HHCS M24X3X120 GR10.9 SPTH	
23	842-117C	HHCS M8X1.25X110 GR8.8	
24	891-307C	SHIM KIT 7 PIECE	

Lift Axle Assembly



53009

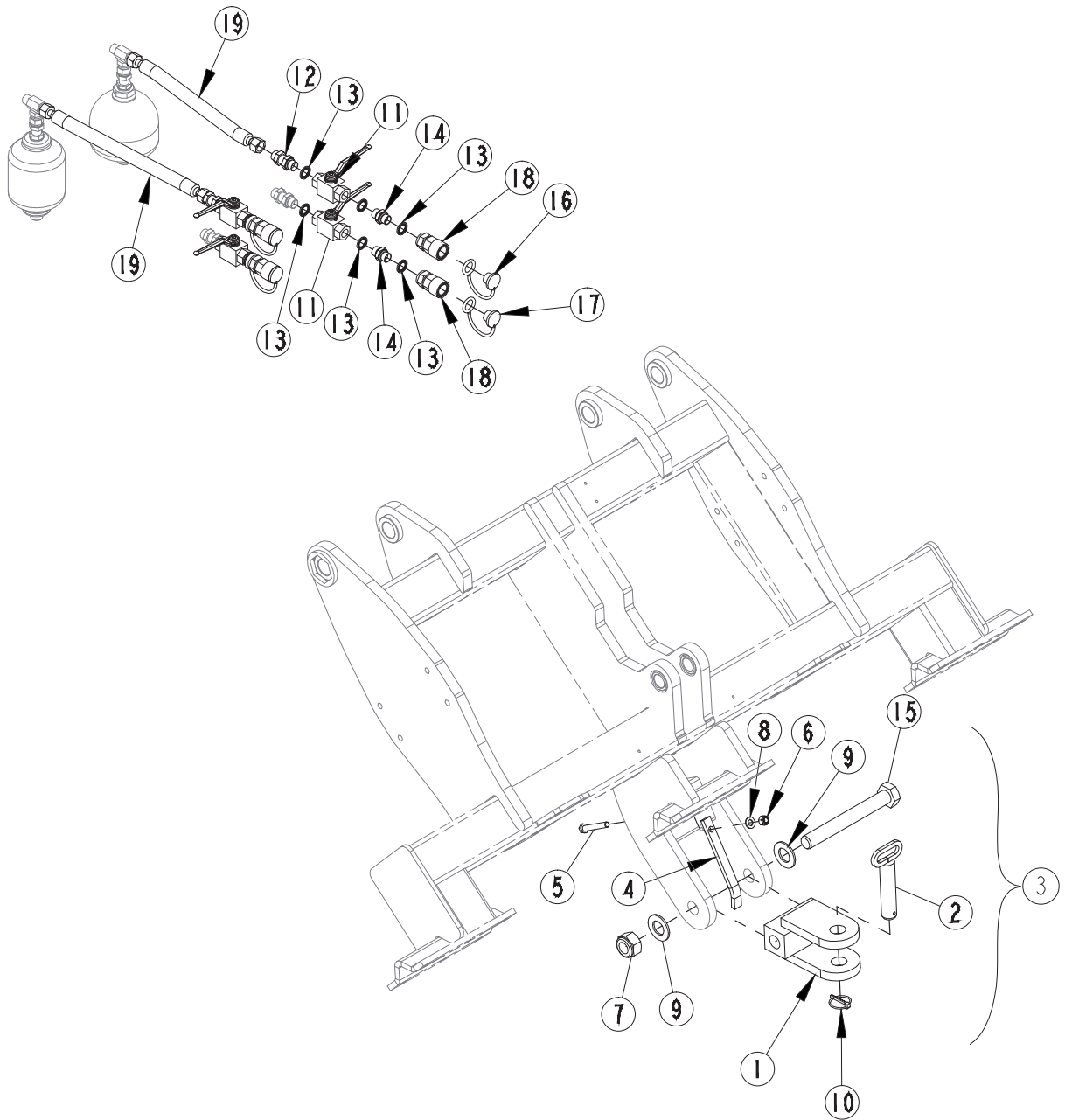
Lift Axle Assembly

Item	Part No.	Part Description	Comments
1	601-060H	LIFT AXLE	
2	601-061H	LIGHT ARM REAR LH	
3	601-062H	LIGHT ARM REAR RH	
4	601-090H	LIGHT ARM MOUNT LH	
5	601-091H	LIGHT ARM MOUNT RH	
6	601-123D	PLATE 12MM	
7	601-220H	PIN Ø30X129	
8	601-237V	REAR LIGHTS - TRAILED XP	
9	603-563D	DECAL MOUNT - SPEED	
10	802-314C	HHCS M8X1.25X20 GR8.8	
11	802-486C	HHCS M12X1.75X80 GR8.8 PLT	
12	802-714C	HHCS M8X1.25X25 GR8.8	
13	802-979C	HHCS M12X1.75X60 GR8.8	
14	803-281C	NUT HEX NYLOCK M12X1.75 PLT	
15	803-282C	NUT HEX M16X2.00 NYLON INSERT	
16	803-422C	NUT HEX M8X2.00 NYLON INSERT	
17	804-157C	WASHER SPRING LOCK M8 PLT	
18	804-161C	WASHER FLAT M8 PLT	
19	804-246C	WASHER FLAT M12 PLT	
20	804-247C	WASHER FLAT M16 PLT	
21	805-448C	LYNCH PIN CAT 1	
22	814-460C	NUT HEX M36X4 NYL INSERT	
23	833-608C	LIGHT BOARD RRH	
24	833-609C	LIGHT BOARD RLH	
25	842-023C	HHCS M8X1.25X25 GR8.8 FTTHD	
26	842-034C	HHCS M16X2X80 GR8.8	
27	842-121C	HHCS M36X4X280 GR8.8	
28	891-273C	CHOCK TYPE UK46ST	
29	891-274C	CHOCK CARRIER UK46ST	
30	891-291C	SIDE MARKER LH	
31	891-292C	SIDE MARKER RH	

Braked Axle Assembly - 6 Stud

Item	Part No.	Part Description	Comments
1	603-570D	NIPPLE - GREASE M8	
2	800-446C	CIRCLIP Ø32X1.5MM	
3	800-447C	CIRCLIP Ø32X1.5MM	
4	803-430C	WHEEL NUT M18X1.5	
5	807-323C	TENSION SPRING YELLOW	
6	807-448C	TENSION SPRING YELLOW	
7	815-405C	AXLE	
8	815-406C	HUB 6 STUD	
9	815-409C	DUST CAP 6 STUD	
10	815-410C	BRAKE ARM 10 STUD BRAKED	
11	815-411C	HUB 6 STUD	
12	815-412C	BOTTOM AXLE	
13	815-413C	SHIM WASHER Ø120XØ74	
14	815-414C	BEARING 30213 Ø120XØ65	
15	815-415C	GREASE SEAL Ø120XØ67	
16	815-416C	SHIM WASHER Ø80XØ52	
17	815-417C	BEARING 30213 Ø120XØ65	
18	815-419C	NUT CASTLE M39X1.5	
19	815-420C	SPRING CLIP Ø4X67	
20	815-421C	BRAKE SHOE 60X300	
21	815-422C	LOCATION SPIGOT	
22	815-423C	ACTUATOR CAM 645MM	
23	815-424C	SHIELD	
24	842-106C	HUB STUD M18X1.5	

Rear Drawbar Assembly

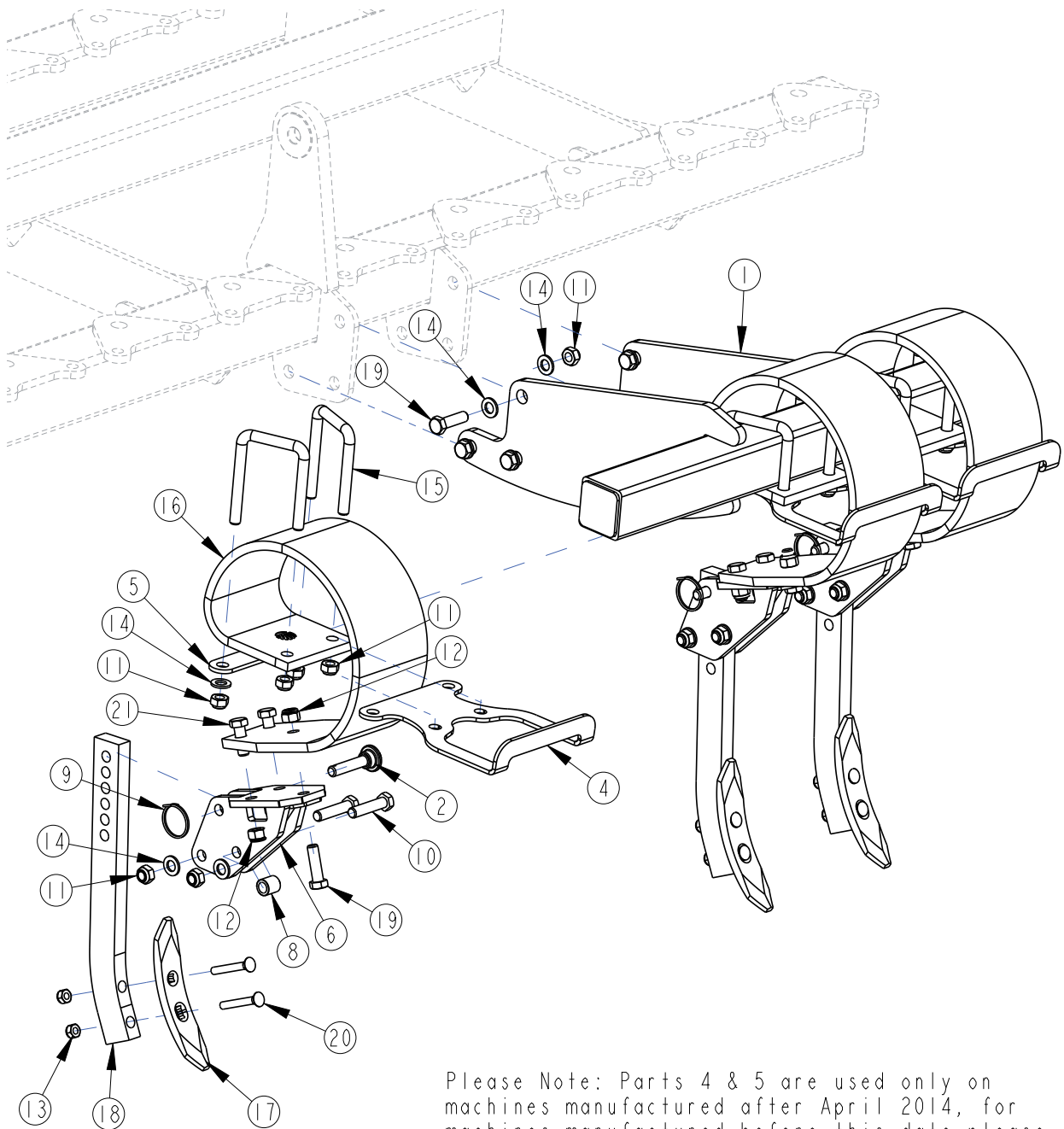


53027

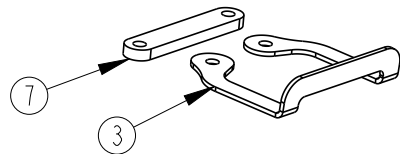
Rear Drawbar Assembly

Item	Part No.	Part Description	Comments
1	601-016H	REAR HITCH	
2	601-063H	PIN Ø32X138 HANDLED	
3	601-228K	REAR DRAWBAR ASSEMBLY	
4	601-241D	HELPER LEAF	
5	802-486C	HHCS M12X1.75X80 GR8.8 PLT	
6	803-281C	NUT HEX NYLOCK M12X1.75 PLT	
7	803-416C	NUT HEX M30X3.5 NYLON INSERT	
8	804-246C	WASHER FLAT M12 PLT	
9	804-257C	WASHER FLAT M30 - OD60MM PLT	
10	805-448C	LYNCH PIN CAT 1	
11	810-812C	VLV BALL 1/2FBSP BLOCK	
12	841-787C	AD 1/2MBSPP BLKHD W/LN	
13	841-792C	WASHER 1/2BSPP BONDED	
14	841-800C	AD 1/2MBSPP 1/2MBSPP	
15	842-067C	HHCS M30X3.5X240 GR8.8 SPTHD	
16	851-155C	QUICK RELEASE FEMALE 1/2BSP	
17	851-158C	CAP FOR FEMALE - YELLOW	
18	851-160C	CAP FOR FEMALE - RED	
19	851-320C	HH1/2R2 300MM 1/2FBSP/1/2FBSP	

Eradicator Tine Assembly



Please Note: Parts 4 & 5 are used only on machines manufactured after April 2014, for machines manufactured before this date please see items below; Parts 7 & 3.

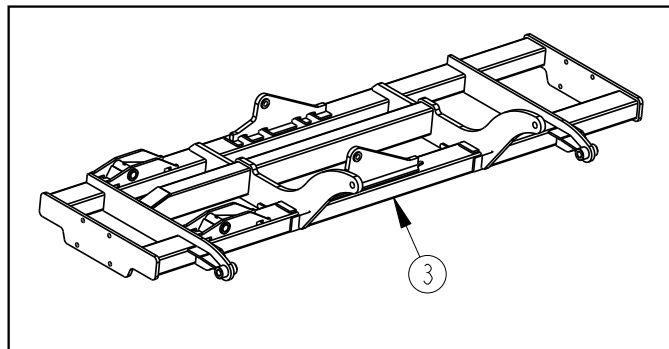
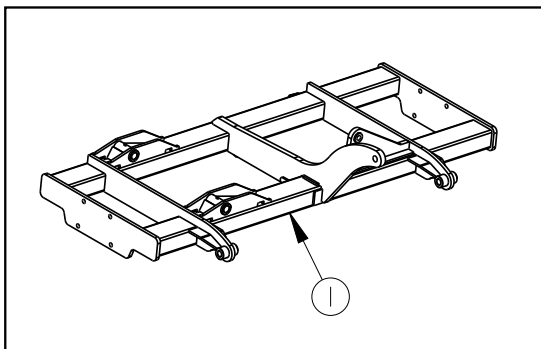
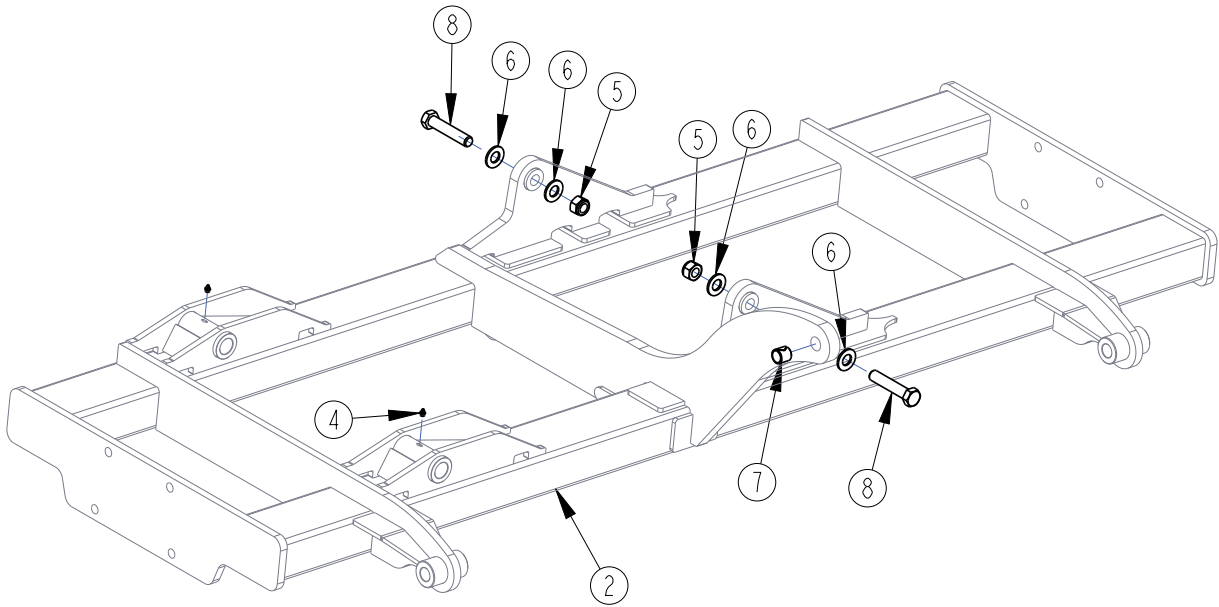


53021

Eradicator Tine Assembly

Item	Part No.	Part Description	Comments
1	601-099H	ERADICATOR TINE BEAM	
2	606-053D	PIN Ø16X73	
3	607-190D	SPRING HELPER	
4	607-194D	SPRING HELPER	
5	607-195D	RETAINING PLATE	
6	608-001H	TINE CLAMP UNIT	
7	608-004D	RETAINING PLATE	
8	608-005D	BUSH Ø25XØ16.5X26	
9	800-430C	CIRCLE COTTER 52X2.6	
10	802-983C	HHCS M16X2X70 GR8.8	
11	803-282C	NUT HEX M16X2.00 NYLON INSERT	
12	803-419C	NUT LOCK M16 PHILIDAS	
13	803-431C	NUT HEX NYLOCK 7/16-20 UNF	
14	804-247C	WASHER FLAT M16 PLT	
15	806-245C	U-BOLT M16X2 X 86 X 130 GR8.8	
16	807-312C	SPRING COMP 150X14MM	
17	820-488C	POINT 1½" REVERSIBLE	
18	820-489C	TINE 2X1 SHORT	
19	842-066C	HHCS M16X2X55 GR8.8	
20	842-108C	PLOW 7/16-20X2 3/4 UNF	
21	842-115C	HHCS M16X2X45 GR8.8 SPTHD	

Wing Assembly LH

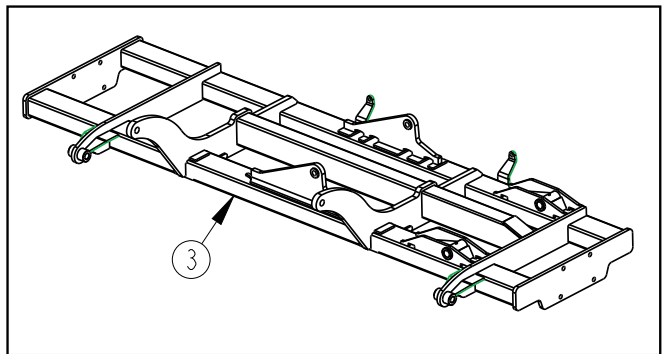
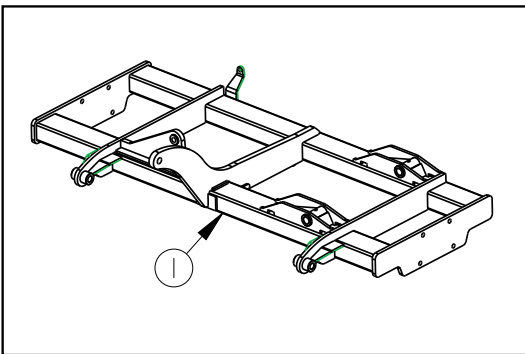
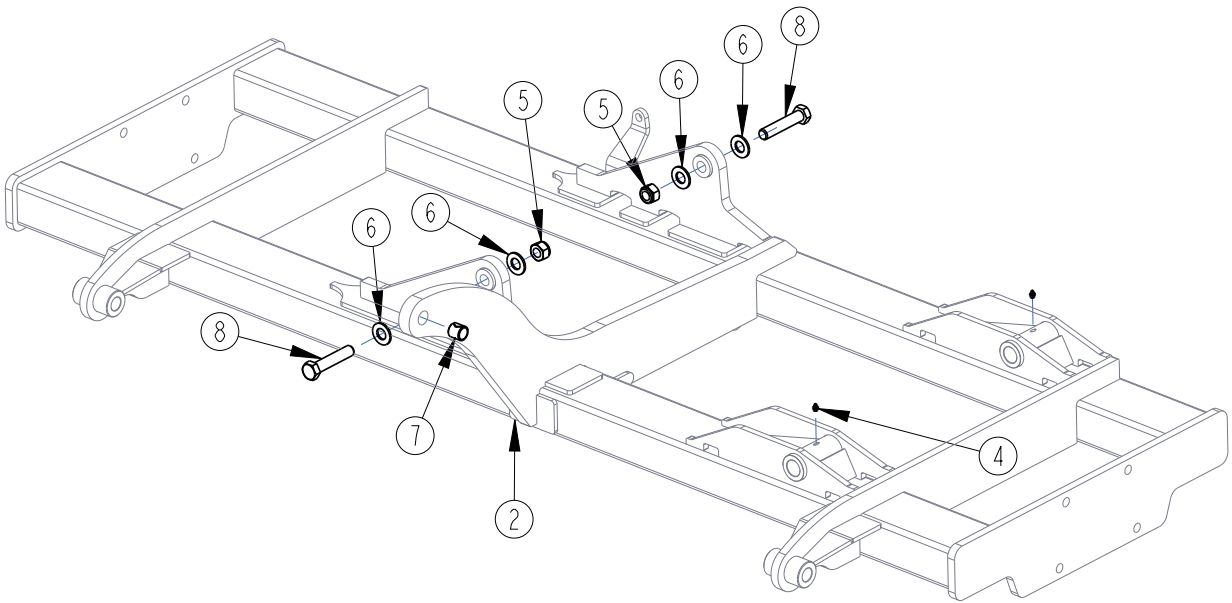


53005

Wing Assembly LH

Item	Part No.	Part Description	Comments
1	601-069H	WING LH 4.6M	
2	601-076H	WING LH 5.5M	
3	601-078H	WING LH 6.6M	
4	800-417C	GREASE NIPPLE 1/8BSP	
5	803-412C	NUT HEX M24X3 NYLON INSERT	
6	804-255C	WASHER FLAT M24 - OD50MM	
7	827-116C	BUSH SPRUNG - Ø32 X Ø26 X 30	
8	842-116C	HHCS M24X3X120 GR10.9 SPTH	

Wing Assembly RH

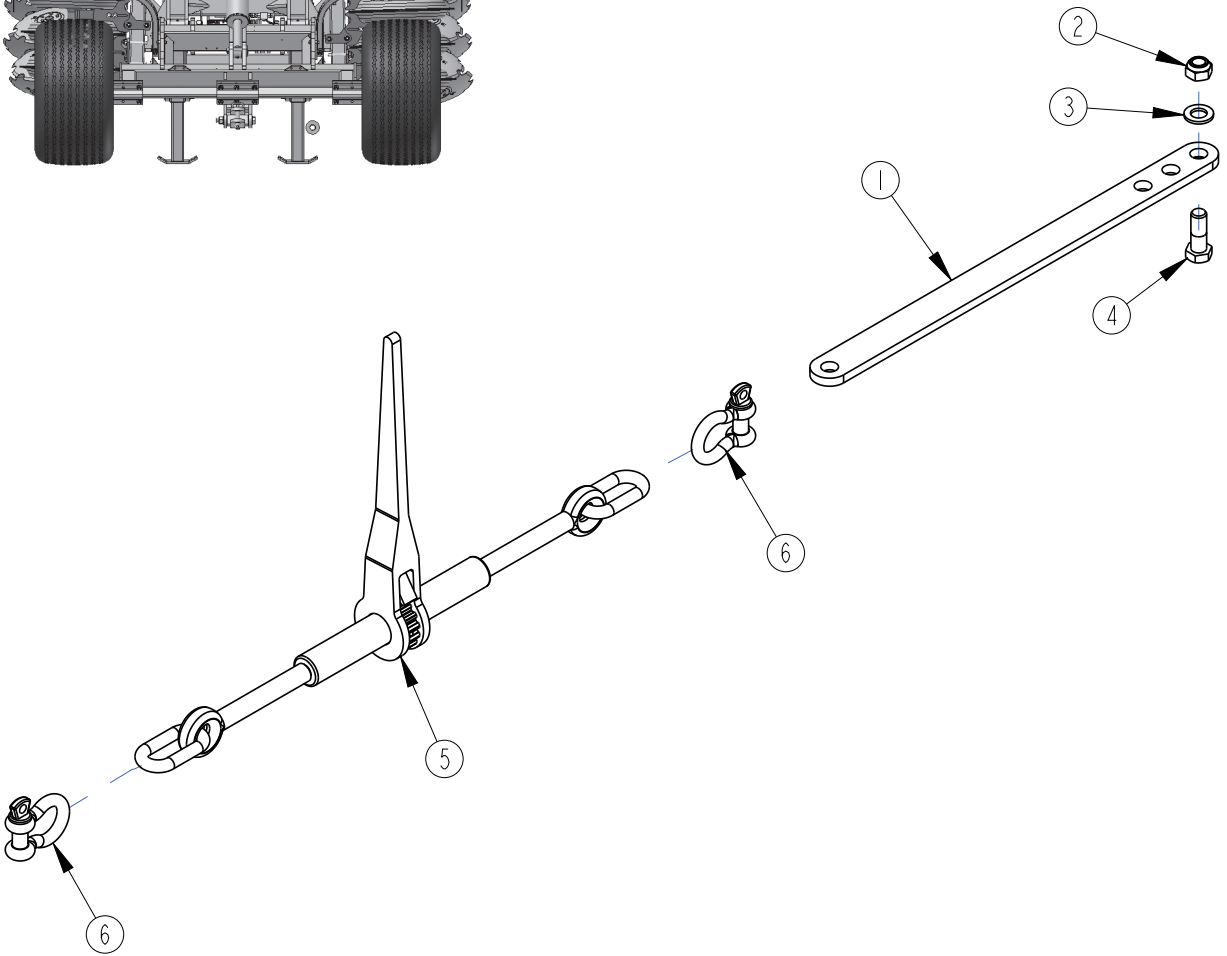
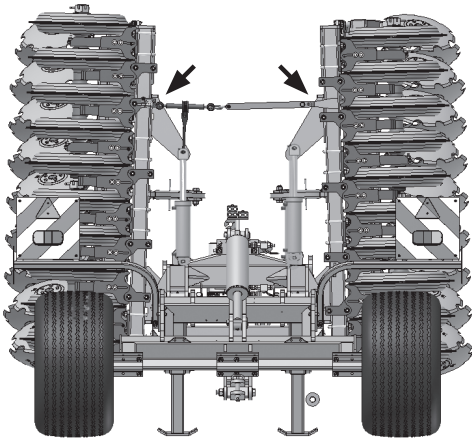


53004

Wing Assembly RH

Item	Part No.	Part Description	Comments
1	601-068H	WING RH 4.6M	
2	601-070H	WING RH 5.5M	
3	601-077H	WING RH 6.6M	
4	800-417C	GREASE NIPPLE 1/8BSP	
5	803-412C	NUT HEX M24X3 NYLON INSERT	
6	804-255C	WASHER FLAT M24 - OD50MM	
7	827-116C	BUSH SPRUNG - Ø32 X Ø26 X 30	
8	842-116C	HHCS M24X3X120 GR10.9 SPTH	

Loadbinder Assembly

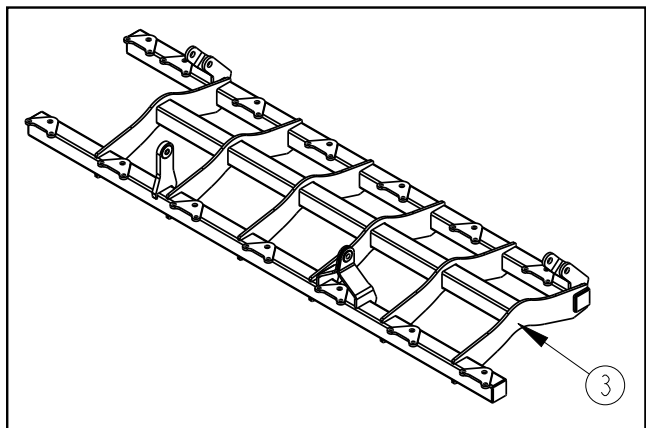
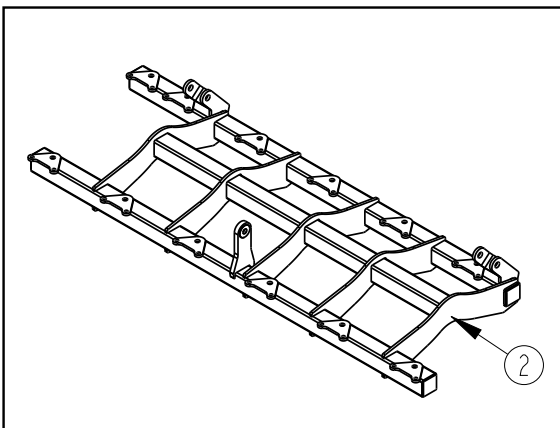
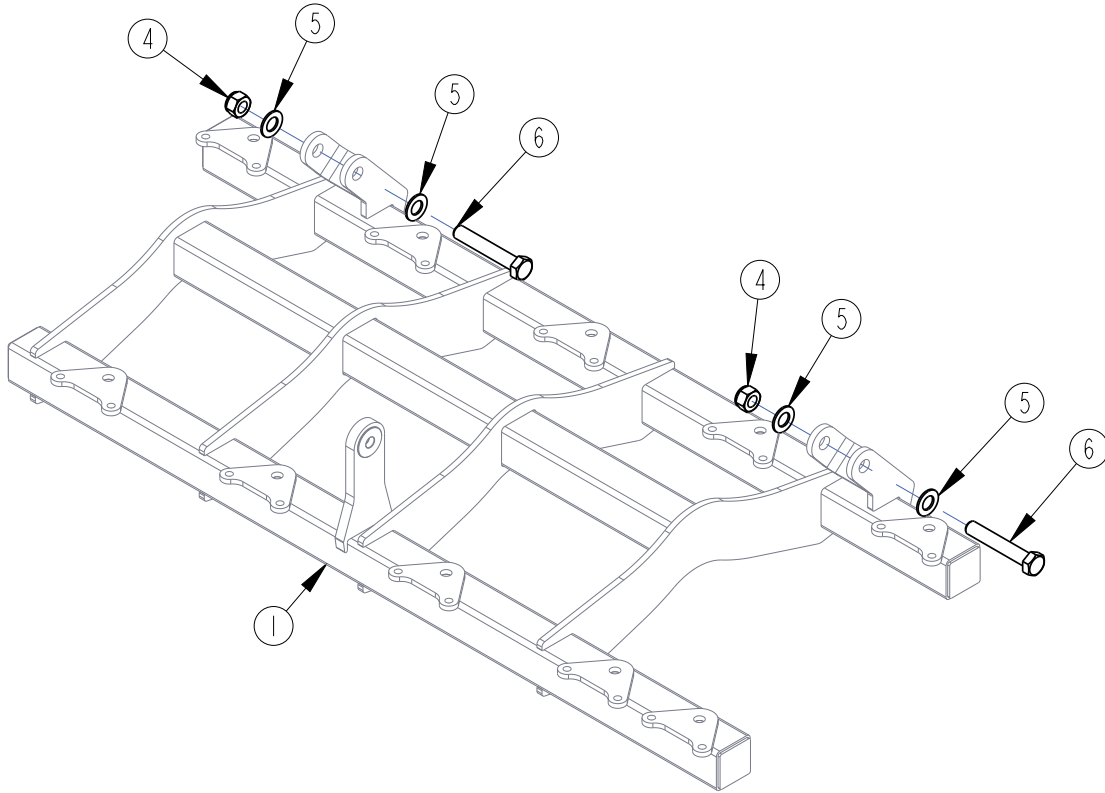


53020

Loadbinder Assembly

Item	Part No.	Part Description	Comments
1	601-421D	LOADBINDER LINK 530MM	
2	803-282C	NUT HEX M16X2.00 NYLON INSERT	
3	804-247C	WASHER FLAT M16 PLT	
4	842-115C	HHCS M16X2X45 GR8.8 SPTH	
5	891-330C	RATCHET LOADBINDER	
6	891-331C	LOADBINDER SHACKLE	

Disc Frame Assembly LH (Limited Angle)

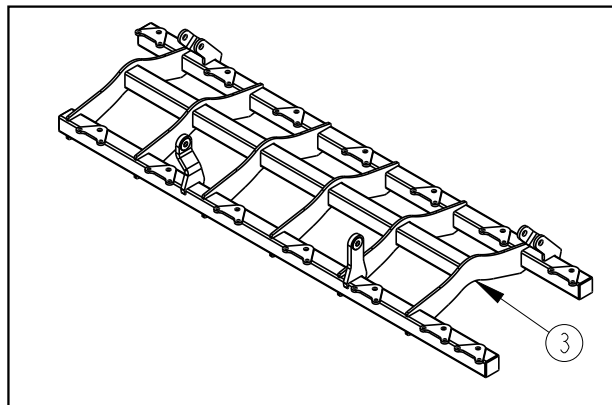
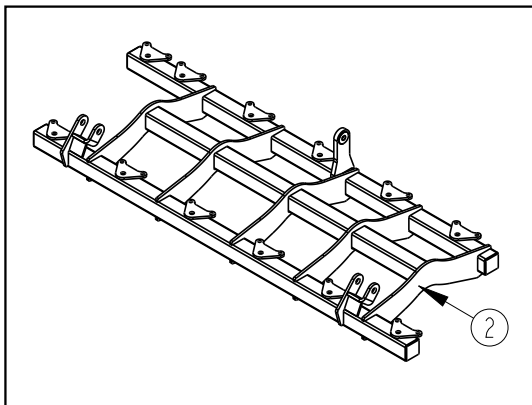
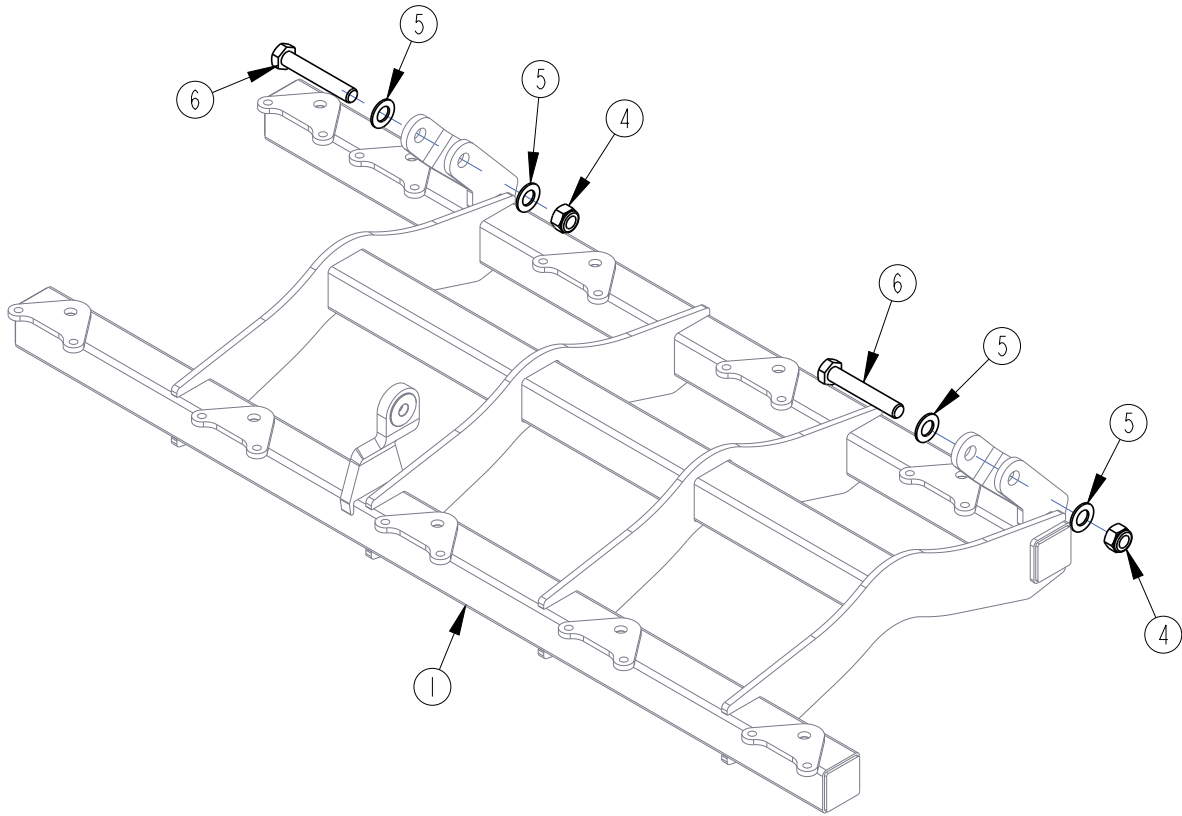


53013

Disc Frame Assembly LH (Limited Angle)

Item	Part No.	Part Description	Comments
1	601-409H	4.6M LH TRXP DISC FRAME FA	
2	601-411H	5.5M LH TRXP DISC FRAME FA	
3	601-413H	6.6M LH TRXP DISC FRAME FA	
4	803-416C	NUT HEX M30X3.5 NYLON INSERT	
5	804-257C	WASHER FLAT M30 - OD60MM PLT	
6	842-043C	HHCS M30X3.5X180 GR8.8	

Disc Frame Assembly RH (Limited Angle)

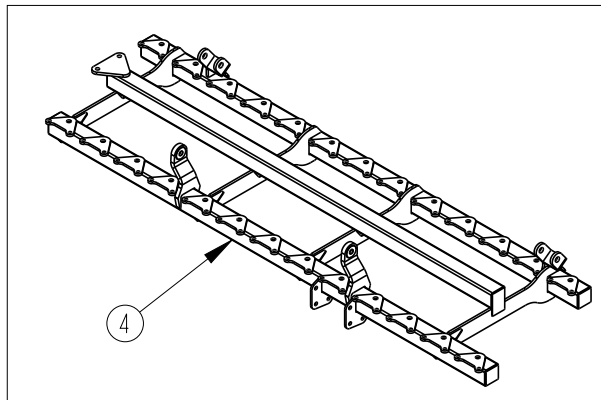
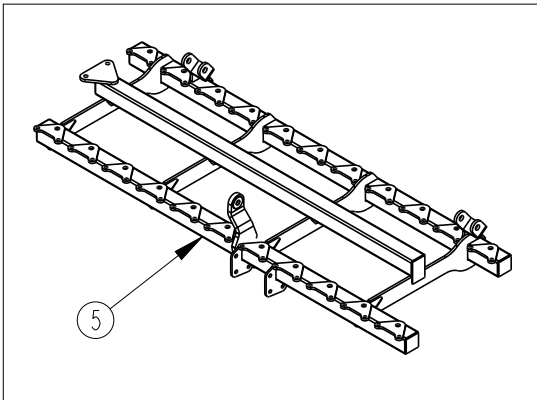
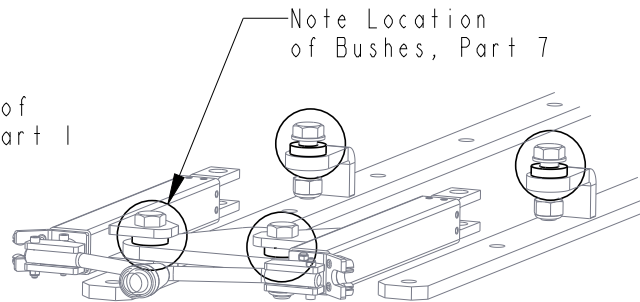
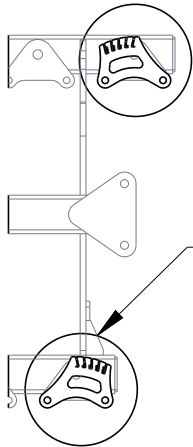
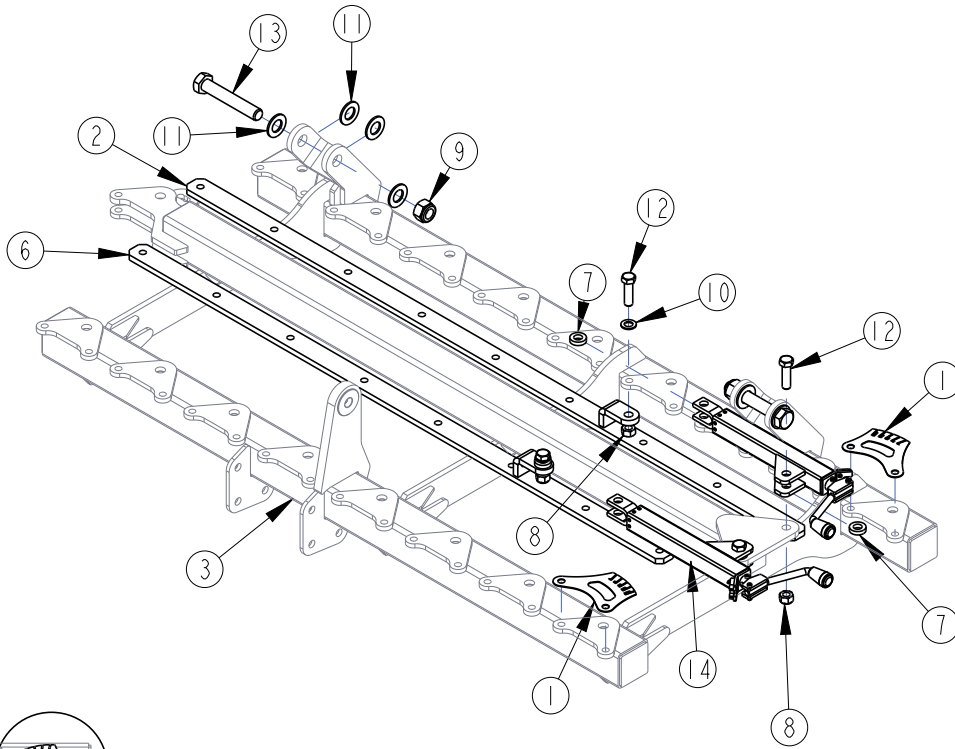


53012

Disc Frame Assembly RH (Limited Angle)

Item	Part No.	Part Description	Comments
1	601-408H	4.6M RH TRXP DISC FRAME FA	
2	601-410H	5.5M RH TRXP DISC FRAME FA	
3	601-412H	6.6M RH TRXP DISC FRAME FA	
4	803-416C	NUT HEX M30X3.5 NYLON INSERT	
5	804-257C	WASHER FLAT M30 - OD60MM PLT	
6	842-043C	HHCS M30X3.5X180 GR8.8	

Disc Frame Assembly LH (Variable Angle)

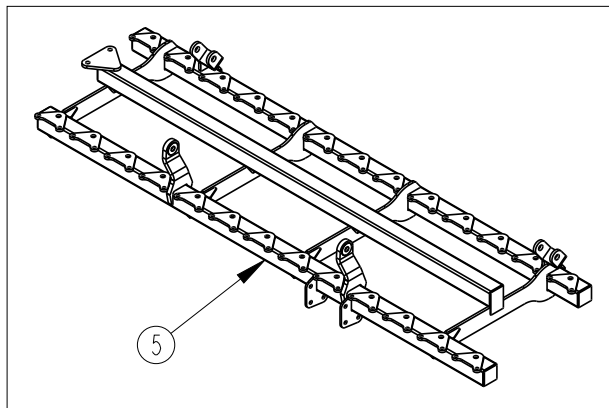
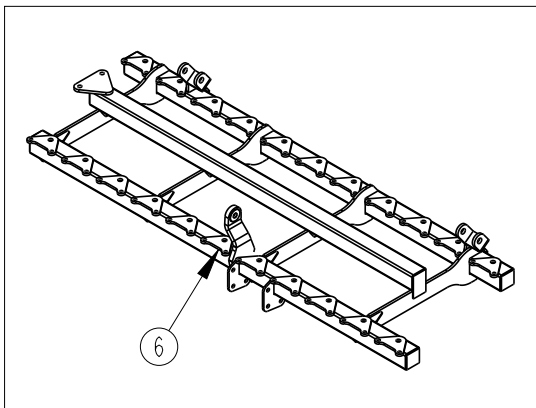
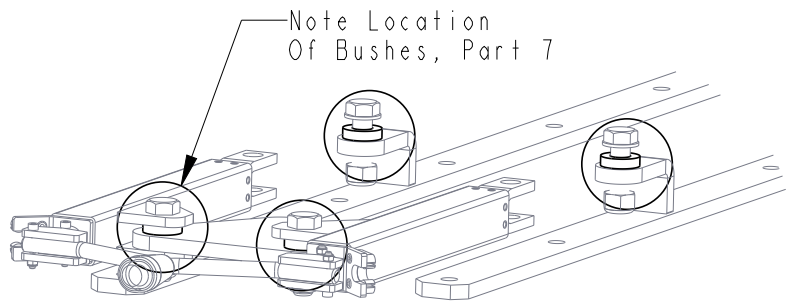
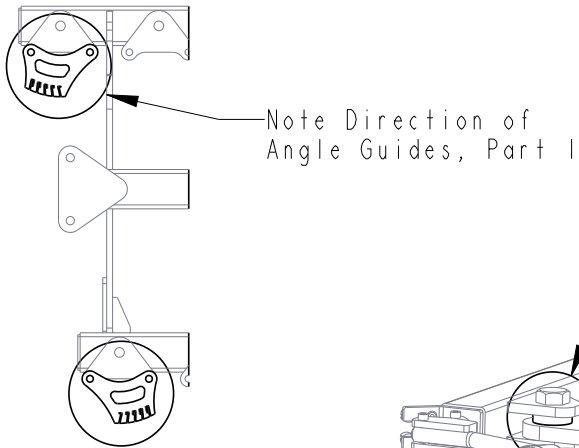
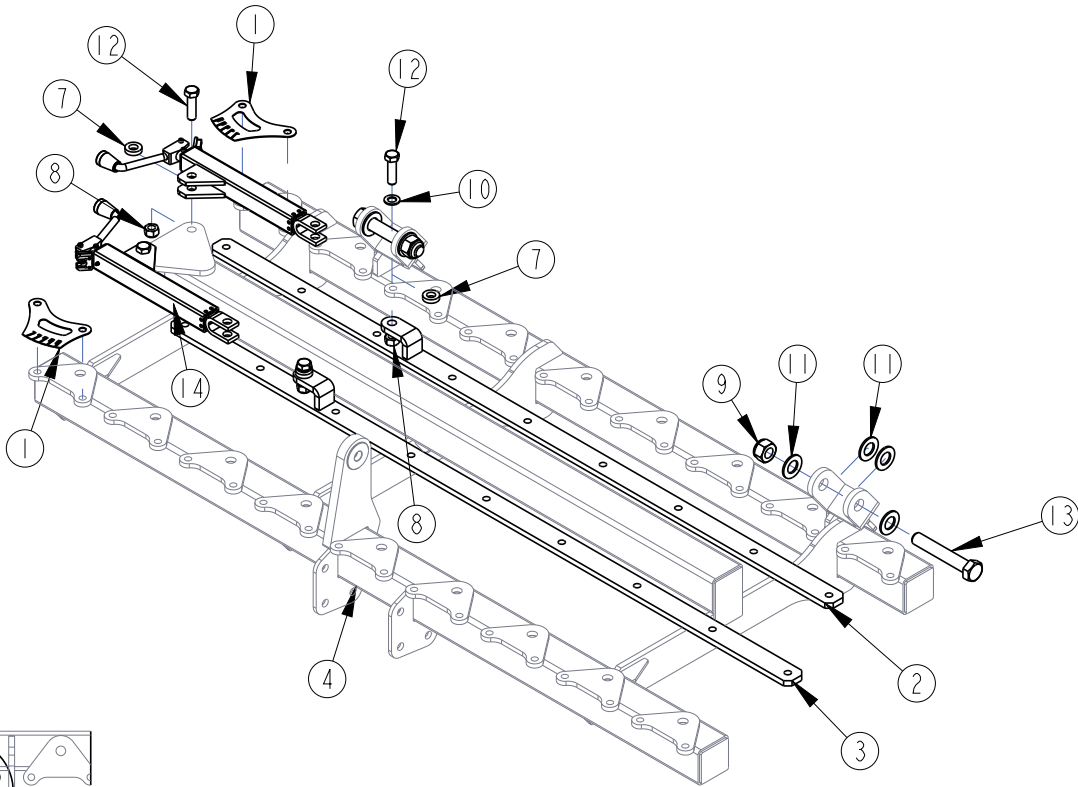


53011

Disc Frame Assembly LH (Variable Angle)

Item	Part No.	Part Description	Comments
1	601-060D	ANGLE GUIDE	
2	601-064H	TRACKROD LH REAR	FOR 4.6M MACHINE
	601-047H	TRACKROD LH REAR	FOR 5.5M MACHINE
	601-163H	TRACKROD LH REAR	FOR 6.6M MACHINE
3	601-066H	DISC FRAME 4.6M LH	
4	601-081H	DISC FRAME 6.6M LH	
5	601-083H	DISC FRAME 5.5M LH	
6	601-127H	TRACKROD LH FRONT	FOR 4.6M MACHINE
	601-161H	TRACKROD LH FRONT	FOR 5.5M MACHINE
	601-164H	TRACKROD LH FRONT	FOR 6.6M MACHINE
7	604-028D	BAR DIA. 40MM	
8	803-393C	NUT HEX NYLOCK M20X2.5	
9	803-416C	NUT HEX M30X3.5 NYLON INSERT	
10	804-244C	WASHER FLAT M20 PLT	
11	804-257C	WASHER FLAT M30 - OD60MM PLT	
12	842-032C	HHCS M20X2.5X70 GR8.8	
13	842-043C	HHCS M30X3.5X180 GR8.8	
14	891-301C	ADJUSTER 350-600	

Disc Frame Assembly RH (Variable Angle)

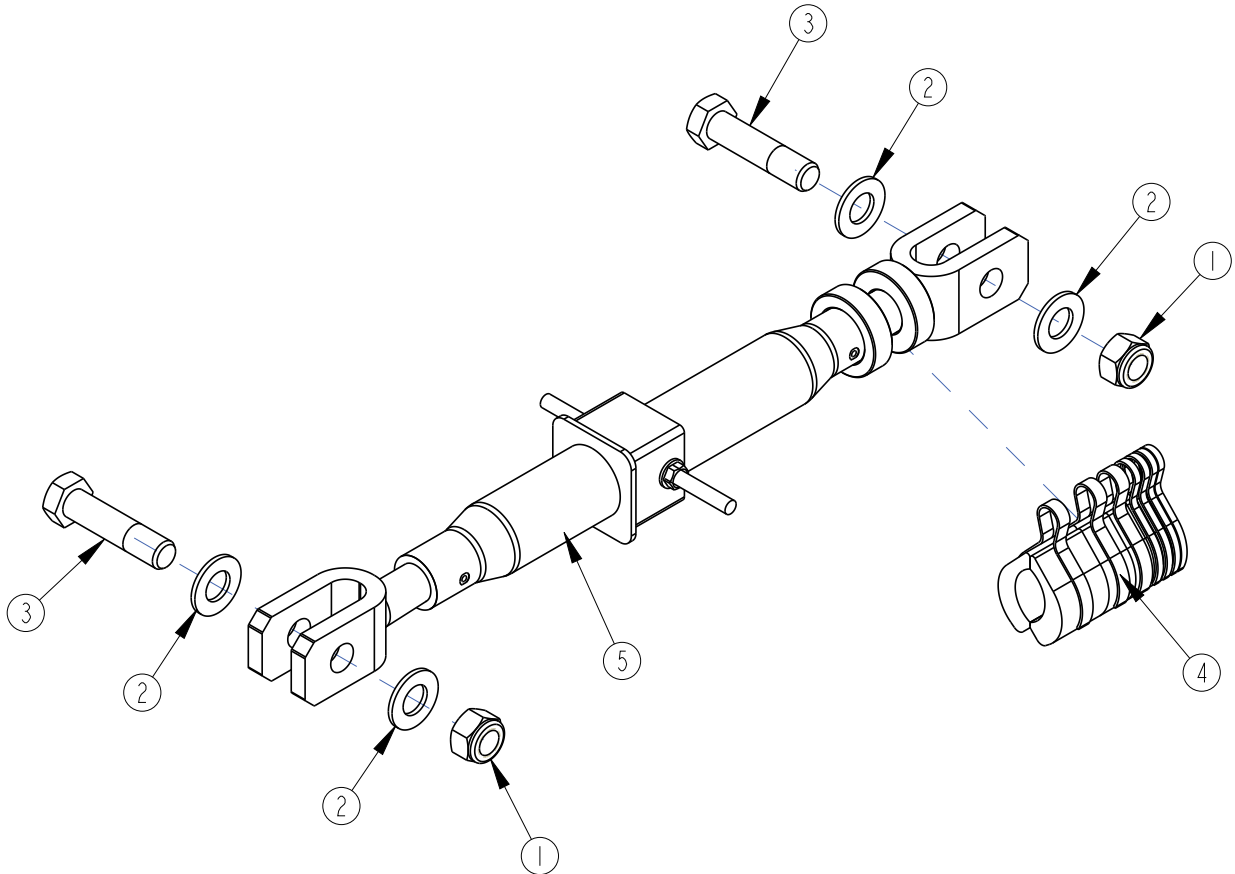


53010

Disc Frame Assembly RH (Variable Angle)

Item	Part No.	Part Description	Comments
1	601-060D	ANGLE GUIDE	
2	601-064H	TRACKROD RH REAR	FOR 4.6M MACHINE
	601-047H	TRACKROD RH REAR	FOR 5.5M MACHINE
	601-163H	TRACKROD RH REAR	FOR 6.6M MACHINE
3	601-065H	TRACKROD RH FRONT	FOR 4.6M MACHINE
	601-048H	TRACKROD RH FRONT	FOR 5.5M MACHINE
	601-162H	TRACKROD RH FRONT	FOR 6.6M MACHINE
4	601-067H	DISC FRAME 4.6M RH	
5	601-080H	DISC FRAME 6.6M RH	
6	601-082H	DISC FRAME 5.5M RH	
7	604-028D	BAR DIA. 40MM	
8	803-393C	NUT HEX NYLOCK M20X2.5	
9	803-416C	NUT HEX M30X3.5 NYLON INSERT	
10	804-244C	WASHER FLAT M20 PLT	
11	804-257C	WASHER FLAT M30 - OD60MM PLT	
12	842-032C	HHCS M20X2.5X70 GR8.8	
13	842-043C	HHCS M30X3.5X180 GR8.8	
14	891-301C	ADJUSTER 350-600	

Disc Frame Adjuster Assembly

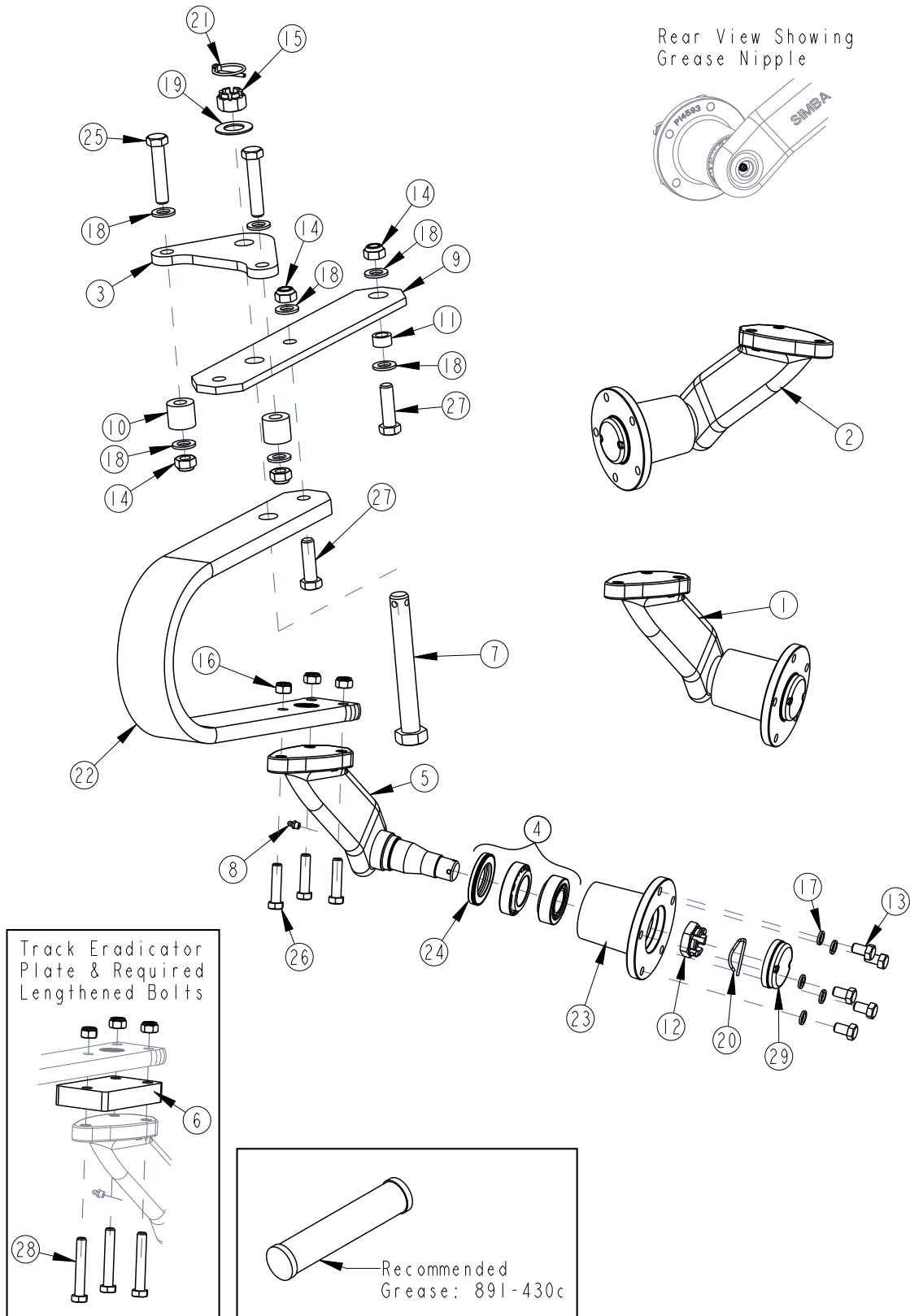


53019

Disc Frame Adjuster Assembly

Item	Part No.	Part Description	Comments
1	803-412C	NUT HEX M24X3 NYLON INSERT	
2	804-255C	WASHER FLAT M24 - OD50MM	
3	842-135C	HHCS M24X3X100 GR10.9 SPTH	
4	891-307C	SHIM KIT 7 PIECE	
5	891-332C	TOPLINK CAT 3 CLEVIS ENDS	

Disc Arm Assembly (Single Hub)

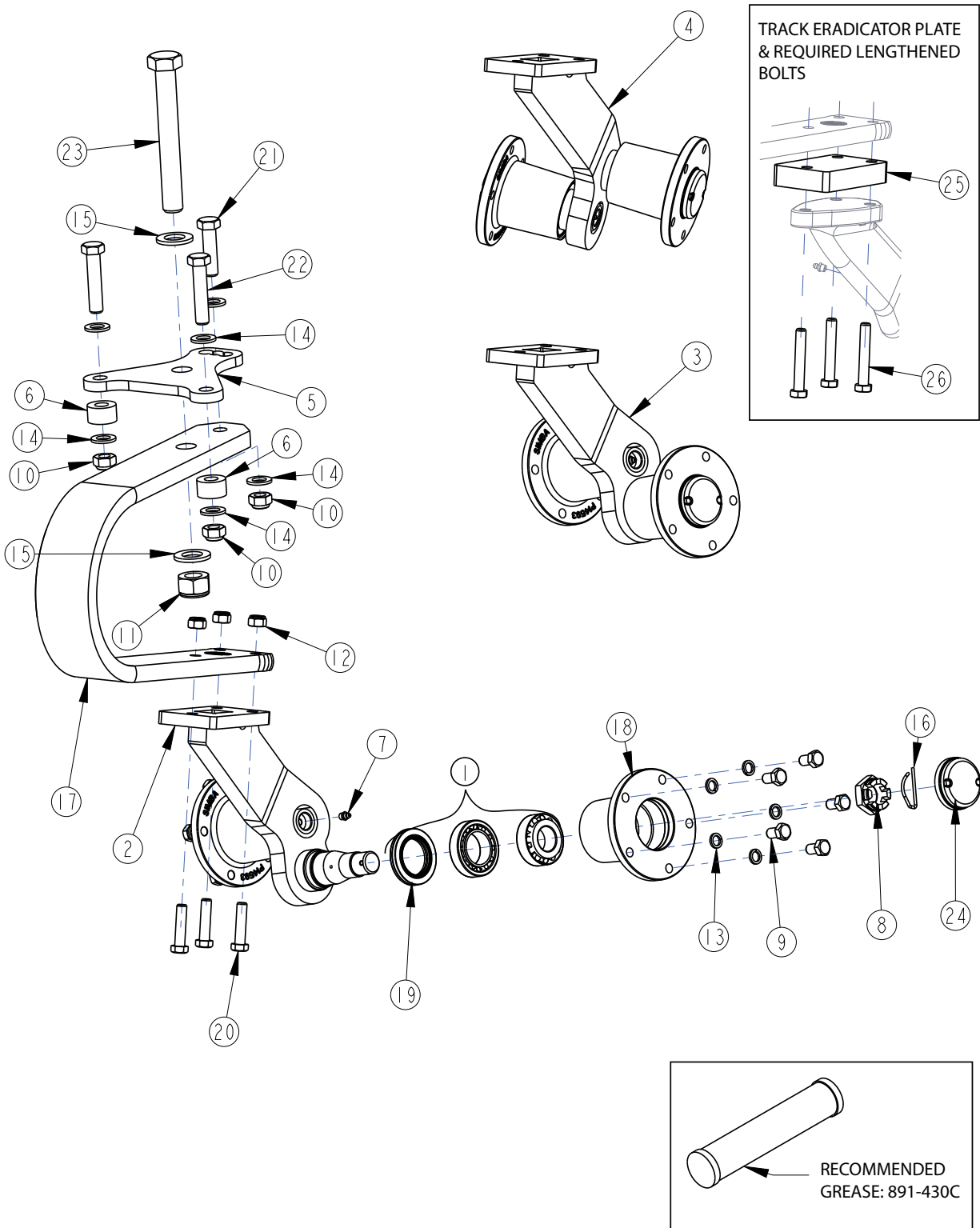


45003

Disc Arm Assembly (Single Hub)

Item	Part No.	Part Description	Comments
1	601-012S	DISC UNIT RH	COMPLETE
2	601-013S	DISC UNIT LH	COMPLETE
3	601-024D	PLATE 12MM	
4	601-027V	BEARING + SEAL KIT COMPLETE	
5	601-011H	DISC ARM LH	
	601-010H	DISC ARM RH	(NOT SHOWN)
6	601-394D	X-PRESS LEAF SPACER	
7	601-440D	HHCS M24X3X185 GR8.8 SPTH	
8	603-570D	NIPPLE - GREASE M8	
9	604-062D	TRACK ARM	
10	604-063D	BUSH Ø36XØ16.5X31MM	
11	604-064D	BUSH Ø24XØ16X13MM	
12	800-424C	NUT-CASTLE M27X1.5	
13	802-976C	HHCS M12X1.25X20 GR8.8	
14	803-282C	NUT HEX M16X2.00 NYLON INSERT	
15	803-413C	NUT CASTLE M24X3	
16	803-415C	NUT HEX M12X1.5 NYLON INSERT	
17	804-159C	WASHER SPRING LOCK M12 PLT	
18	804-247C	WASHER FLAT M16 PLT	
19	804-271C	WASHER MACH 48X26.5X2 PLT	
20	805-445C	SPRING PIN	
21	805-465C	LYNCH PIN CAT 0	
22	807-313C	SPRING COMP 80 X 20MM	
23	812-405C	HUB CASTING	
24	822-269C	SEAL 64X45X9.5	
25	842-034C	HHCS M16X2X80 GR8.8	
26	842-038C	HHCS M12X1.5X50 GR10.9 SPTH	
27	842-066C	HHCS M16X2X55 GR8.8	
28	842-223C	HHCS M12X1.75X75 GR10.9	
29	891-262C	HUB CAP	

Disc Arm Assembly (Twin Hub)



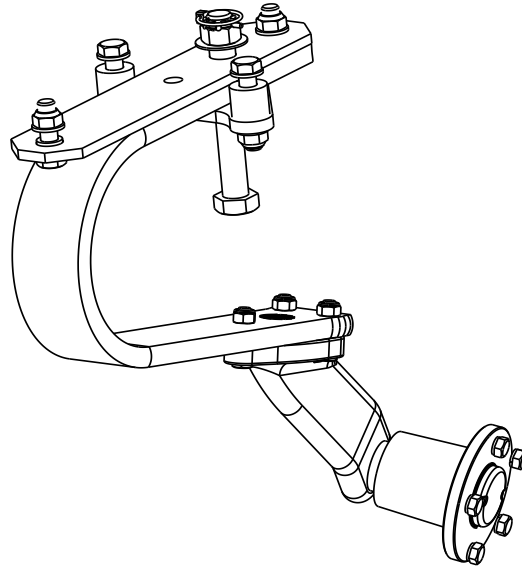
45006

Disc Arm Assembly

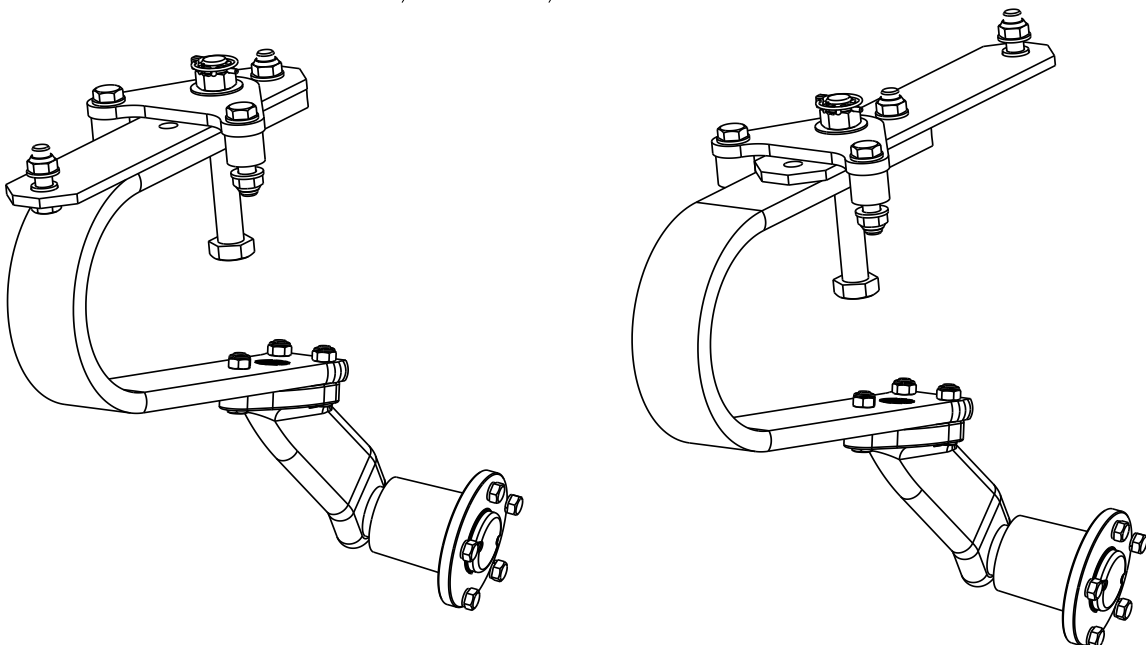
Item	Part No.	Part Description	Comments
1	601-027V	BEARING + SEAL KIT COMPLETE	
2	601-208H	DOUBLE DISC ARM	
3	601-209V	TWIN HUB RH	
4	601-362V	TWIN HUB LH	
5	601-571D	PLATE 12MM	
6	601-572D	BUSH Ø35XØ16.5X20MM	
7	603-570D	NIPPLE - GREASE M8	
8	800-424C	NUT-CASTLE M27X1.5	
9	802-976C	HHCS M12X1.25X20 GR8.8	
10	803-282C	NUT HEX M16X2.00 NYLON INSERT	
11	803-412C	NUT HEX M24X3 NYLON INSERT	
12	803-415C	NUT HEX M12X1.5 NYLON INSERT	
13	804-159C	WASHER SPRING LOCK M12 PLT	
14	804-247C	WASHER FLAT M16 PLT	
15	804-251C	WASHER FLAT M24 PLT	
16	805-445C	SPRING PIN	
17	807-313C	SPRING COMP 80 X 20MM	
18	812-405C	HUB CASTING	
19	822-269C	BEARING SEAL	
20	842-038C	HHCS M12X1.5X50 GR10.9 SPTH	
21	842-049C	HHCS M16X2X60 GR8.8	
22	842-073C	HHCS M16X2X75 GR8.8	
23	842-191C	HHCS M24X3X180 GR8.8	
24	891-262C	HUB CAP	
25	601-394D	TRACK ERADICATOR SPACER	
26	842-223C	HHCS M12X1.5X75 GR10.9	

Disc Hub Configurations

SLD/SL700 ASSEMBLY



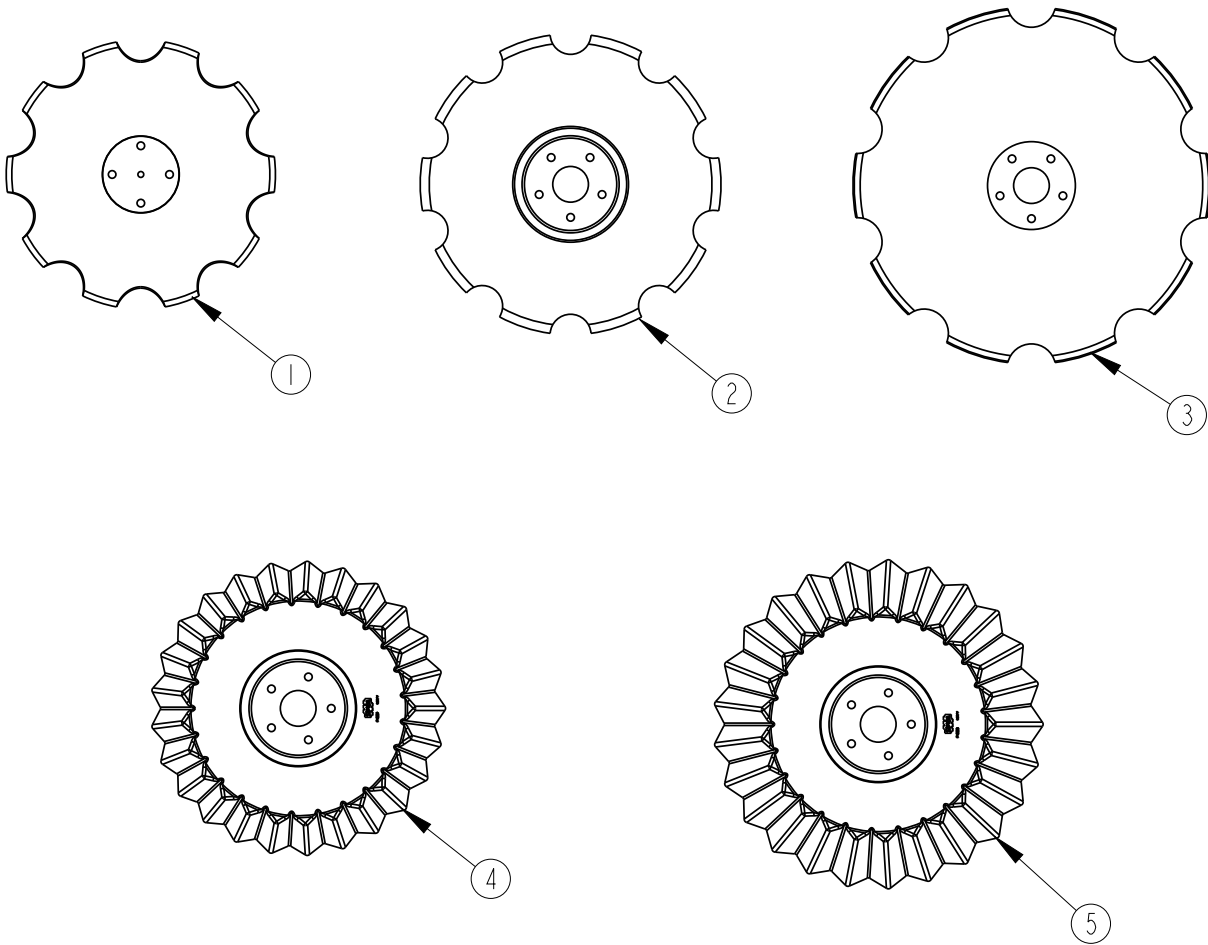
SL 4/5/6, ALL MXP, TRXP & DTX ASSEMBLY



45009

This Page Intentionally Blank

Disc Blades

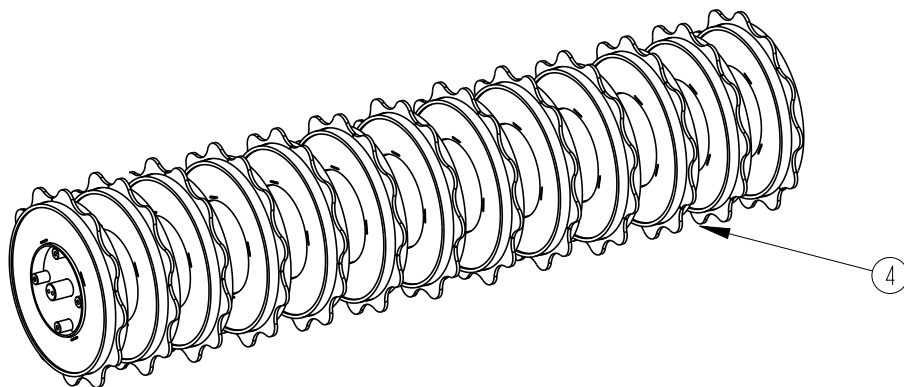
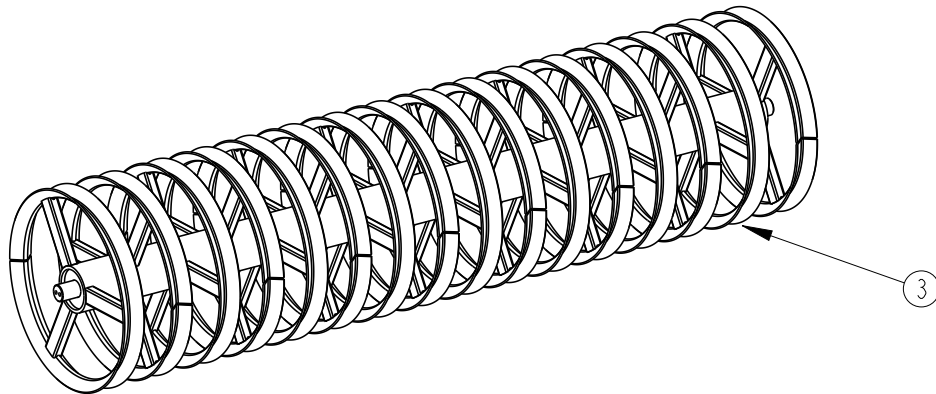
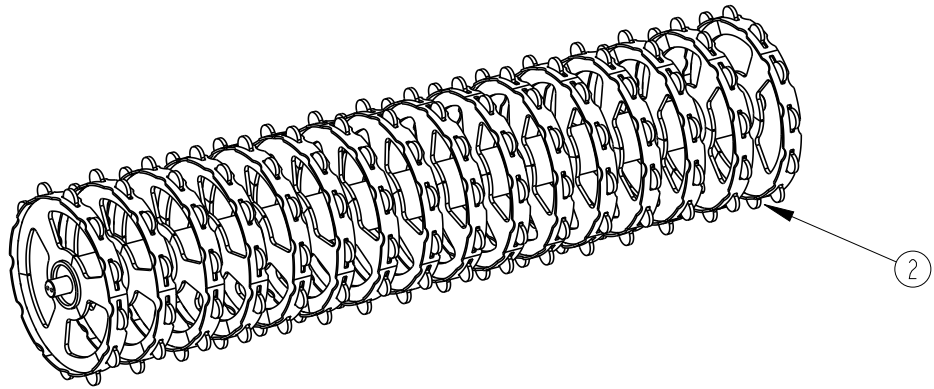


45014

Disc Blades

Item	Part No.	Part Description	Comments
1	820-462C	DISC BLADE - Ø460	TO SUIT TL
2	820-460C	DISC BLADE - Ø510	TO SUIT X-PRESS, SL400-600, DTX
3	820-461C	DISC BLADE - Ø610	TO SUIT SLD, SL700
4	820-534C	SOILRAZOR - Ø510	TO SUIT X-PRESS, SL400-600, DTX
5	820-542C	SOILRAZOR - Ø560	TO SUIT SLD, SL700

HD, V & ML Rollers

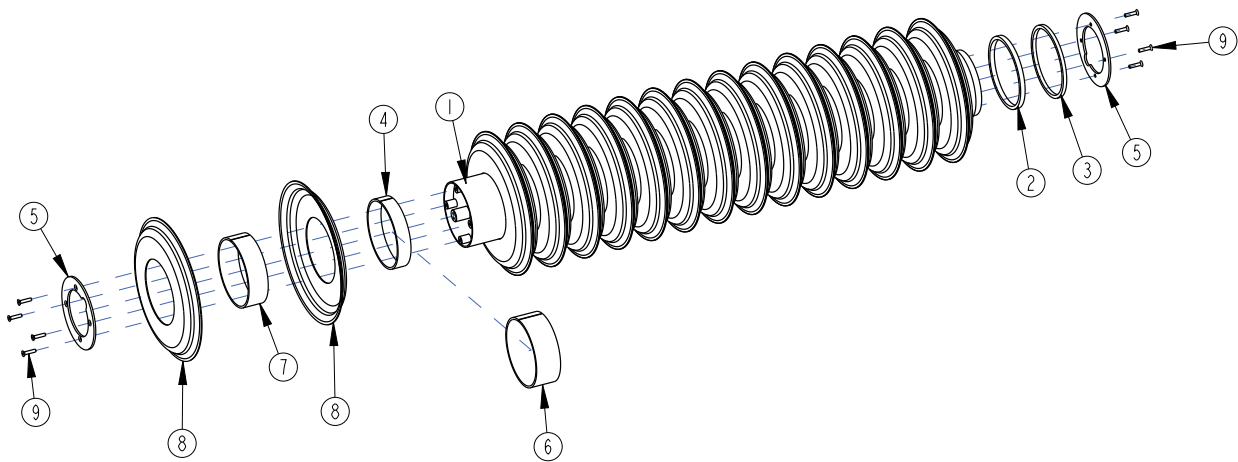


45010

HD, V & ML Rollers

Item	Part No.	Part Description	Comments
1	-	-	-
2	601-386H	ML ROLLER - 4.6M	x2 QTY TO SUIT 4.6m MACHINE
	601-318H	ML ROLLER - 5.5M	x2 QTY TO SUIT 5.5m MACHINE
	601-388H	ML ROLLER - 6.6M	x2 QTY TO SUIT 6.6m MACHINE
3	601-383H	V ROLLER - 4.6M	x2 QTY TO SUIT 4.6m MACHINE
	601-316H	V ROLLER - 5.5M	x2 QTY TO SUIT 5.5m MACHINE
	601-385H	V ROLLER - 6.6M	x2 QTY TO SUIT 6.6m MACHINE
4	601-380H	HD ROLLER - 4.6M	x2 QTY TO SUIT 4.6m MACHINE
	601-381H	HD ROLLER - 5.5M	x2 QTY TO SUIT 5.5m MACHINE
	601-382H	HD ROLLER - 6.6M	x2 QTY TO SUIT 6.6m MACHINE

DDL600 Roll

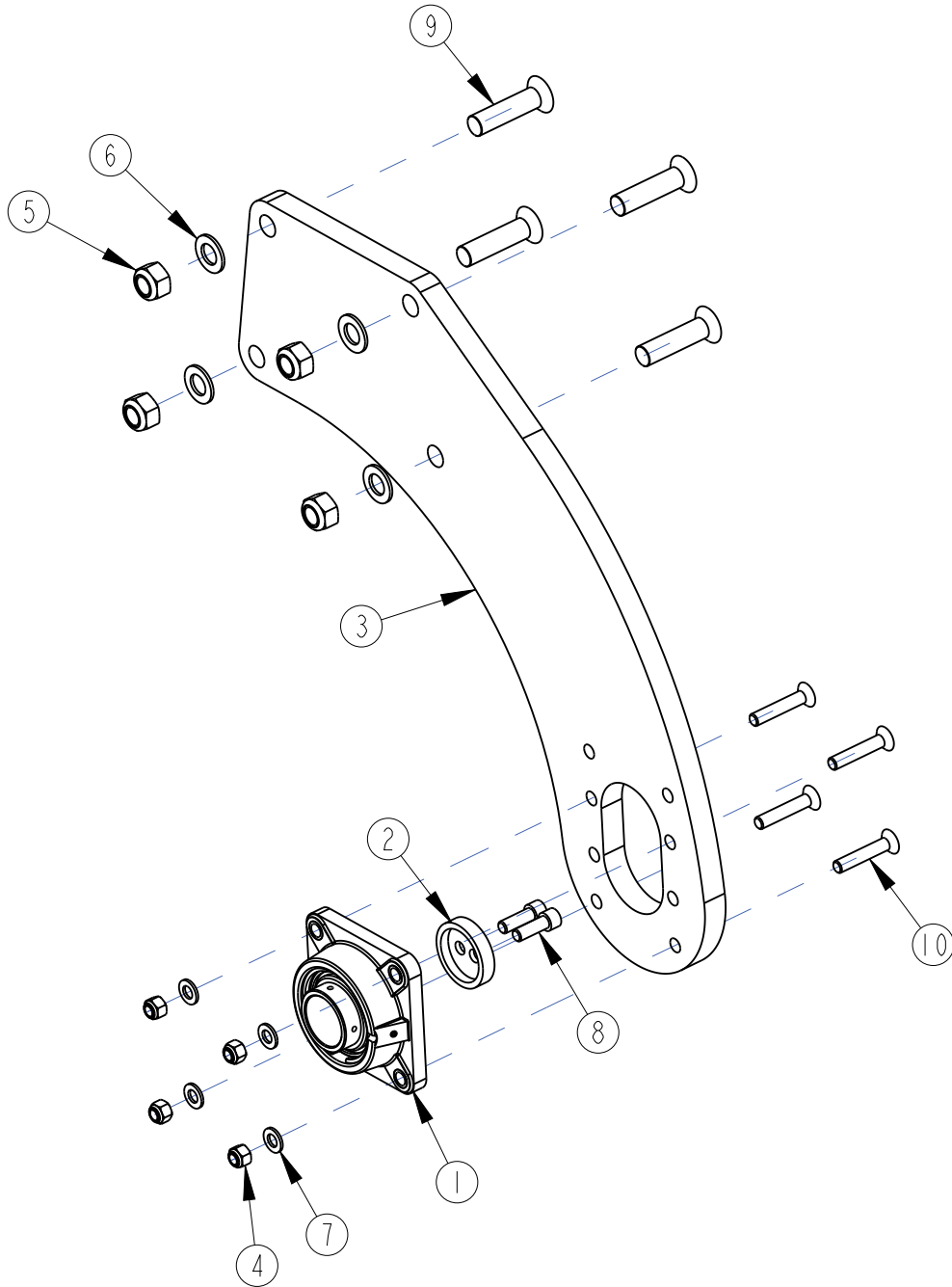


53014

DDL600 Roll

Item	Part No.	Part Description	Comments
1	601-165H	ROLL TUBE - 2280MM	FOR 4.6M MACHINE (x2 QTY)
	601-166H	ROLL TUBE - 2705MM	FOR 5.5M MACHINE (x2 QTY)
	601-167H	ROLL TUBE - 3285MM	FOR 6.6M MACHINE (x2 QTY)
2	601-430D	END SPACER RING 20MM	
3	603-531D	15MM END SPACER RING	
4	603-532D	DDL 600 SPACER 8X58MM	FOR 150MM SPACED ROLLS
5	604-242D	RETAINING PLATE	
6	604-243D	DDL 600 SPACER 107MM	FOR 200MM SPACED ROLLS
7	604-244D	INTRNL SPACER 86 X 8MM	
8	820-482C	RING-DD600X5MM	
9	842-037C	HSFCHCS M12X1.75X55 GR10.9	

Pillar for DDL600, ML, V & HD Rolls



53016

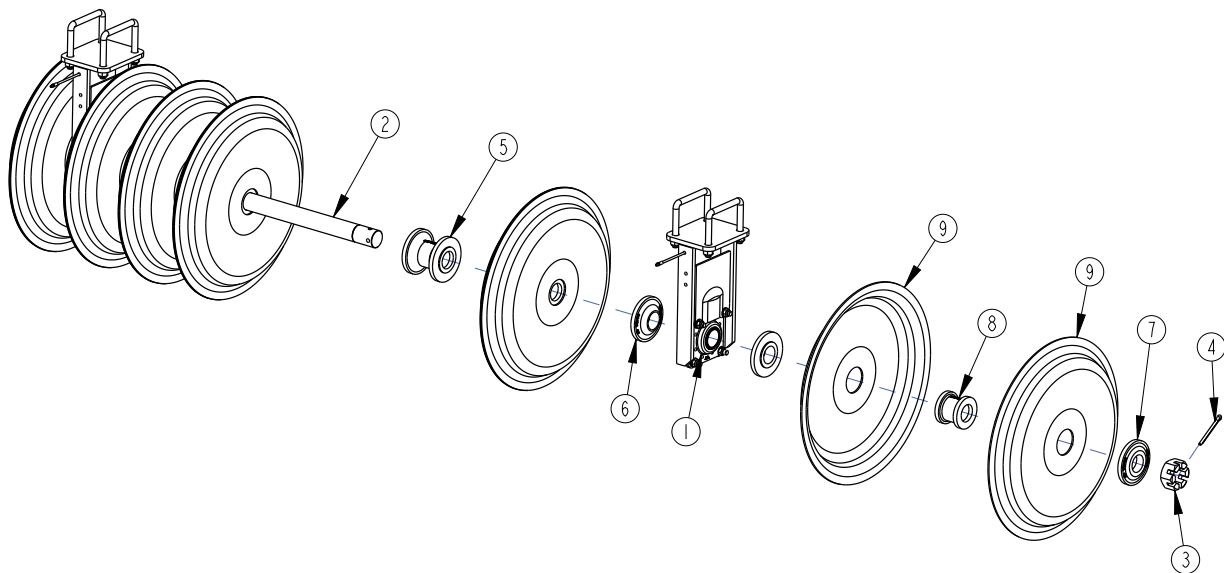
Pillar for DDL600, ML, V & HD Rolls

Item	Part No.	Part Description	Comments
1	601-015S	SCJ50 BEARING COMPLETE	
2	601-150D	STUB AXLE END WASHER	
3	601-309D	PILLAR RH	SHOWN
	601-312	PILLAR LH	
4	803-281C	NUT HEX NYLOCK M12X1.75 PLT	
5	803-393C	NUT HEX NYLOCK M20X2.5	
6	804-244C	WASHER FLAT M20 PLT	
7	804-246C	WASHER FLAT M12 PLT	
8	842-024C	HSHCS M12X1.75X35 GR8.8	
9	842-101C	HSFCHCS M20X2.5X80 GR8.8	
10	842-192C	HSFCHCS M12X1.75X65 GR10.9	

Scraper Rail (For DDL600, ML & HD Roll)

Item	Part No.	Part Description	Comments
1	601-084H	SCRAPER RAIL RH - 2300MM	
	601-085H	SCRAPER RAIL LH - 2300MM	
	601-086H	SCRAPER RAIL RH - 2850MM	
	601-087H	SCRAPER RAIL LH - 2850MM	
	601-088H	SCRAPER RAIL RH - 3305MM	
	601-089H	SCRAPER RAIL LH - 3305MM	
2	603-534D	SCRAPER PLATE 150MM	
3	604-037K	SCRAPER ASSEMBLY DDL150	COMPLETE (SUITS ML & HD ROLLS)
4	604-083K	SCRAPER ASSEMBLY DDL200	COMPLETE
5	604-247D	SCRAPER PLATE	
6	803-280C	NUT HEX NYLOCK M10X1.5 PLT	
7	803-281C	NUT HEX NYLOCK M12X1.75 PLT	
8	803-282C	NUT HEX M16X2.00 NYLON INSERT	
9	804-162C	WASHER FLAT M10 PLT	
10	804-246C	WASHER FLAT M12 PLT	
11	804-247C	WASHER FLAT M16 PLT	
12	806-236C	U-BOLT M16-2.00 X 101 X 190	
13	812-414C	SCRAPER CLAMP PLATE	
14	812-415C	SCRAPER STEM	
15	842-025C	HHCS M10X1.5X45 GR8.8	
16	842-026C	HHCS M12X1.75X100 GR8.8	

DD700 Roll Axles

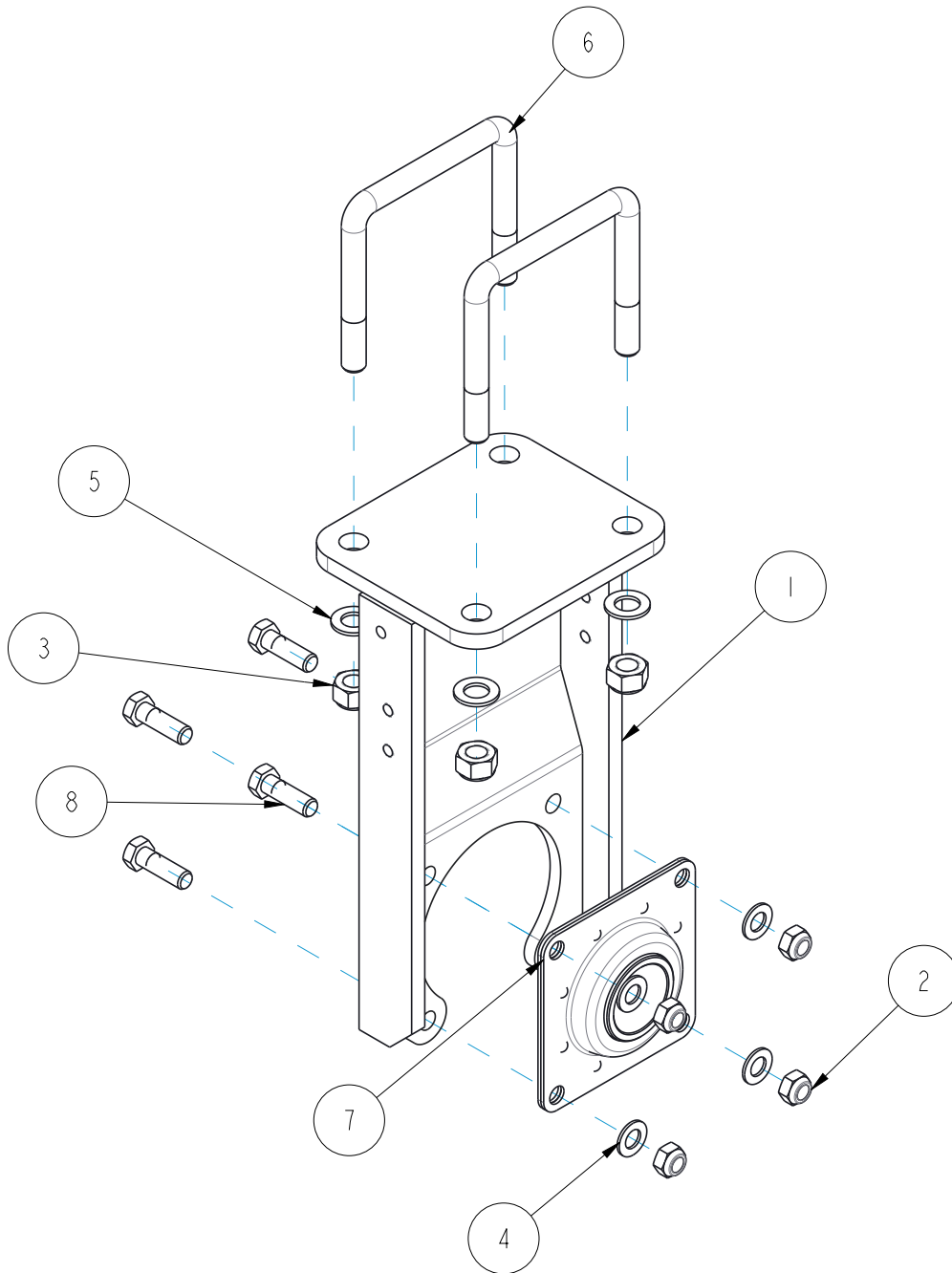


45017

DD700 Roll Axles

Item	Part No.	Part Description	Comments
1	602-220K	PILLAR ASSEMBLY SFL BRG	
2	602-035H	DD AXLE Ø60X1135MM	FOR 4.6M MACHINE (x4 QTY)
	602-039H	DD AXLE Ø60X1369MM	FOR 5.5M MACHINE (x4 QTY)
	602-034H	DD AXLE Ø60X1623MM	FOR 6.6M MACHINE (x4 QTY)
3	803-424C	NUT CASTLE M60X5.5	
4	805-469C	PIN SPLIT Ø10X100	
5	812-408C	DD600 - SPOOL	
6	812-409C	DD600 - BEARING SPOOL	
7	812-410C	DD600 - NUT SPOOL	
8	812-411C	DD600 - INTERNAL SPACER	
9	820-466C	RING-DD700X5MM	

DD700 Pillar

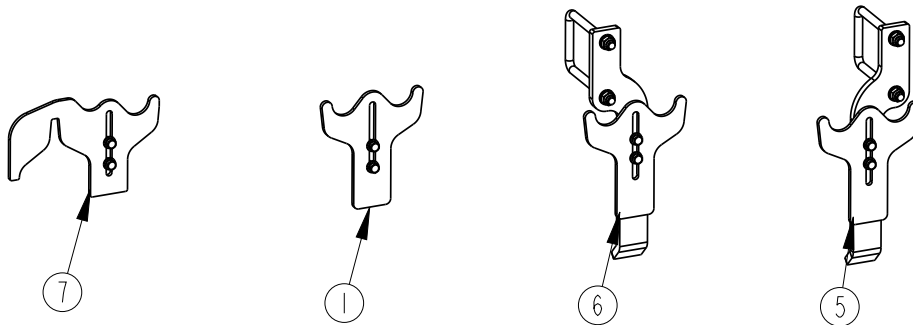
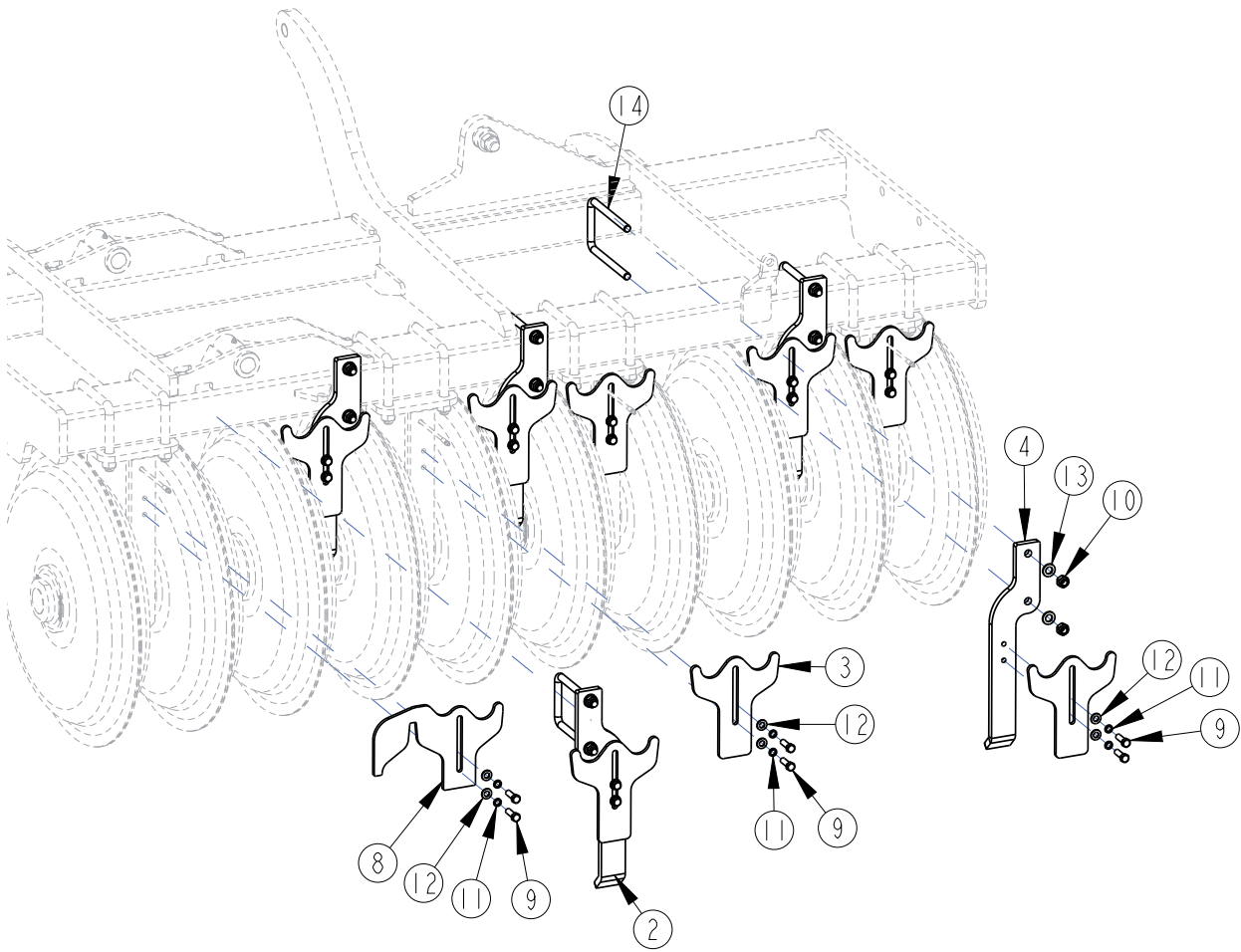


45025

DD700 Pillar

Item	Part No.	Part Description	Comments
1	602-004H	PRESS ROLL PILLAR	
2	803-282C	NUT HEX M16X2.00 NYLON INSERT	
3	803-393C	NUT HEX NYLOCK M20X2.5	
4	804-005C	FLAT WASHER M16 NARROW PLT	
5	804-244C	WASHER FLAT M20 PLT	
6	806-243C	U-BOLT M20X2.5 X 152 X 145	
7	822-282C	BEARING - PRESSED Ø61X56 SFL	
8	842-033C	HHCS M16X2X50 GR8.8	

DD700 Scrapers

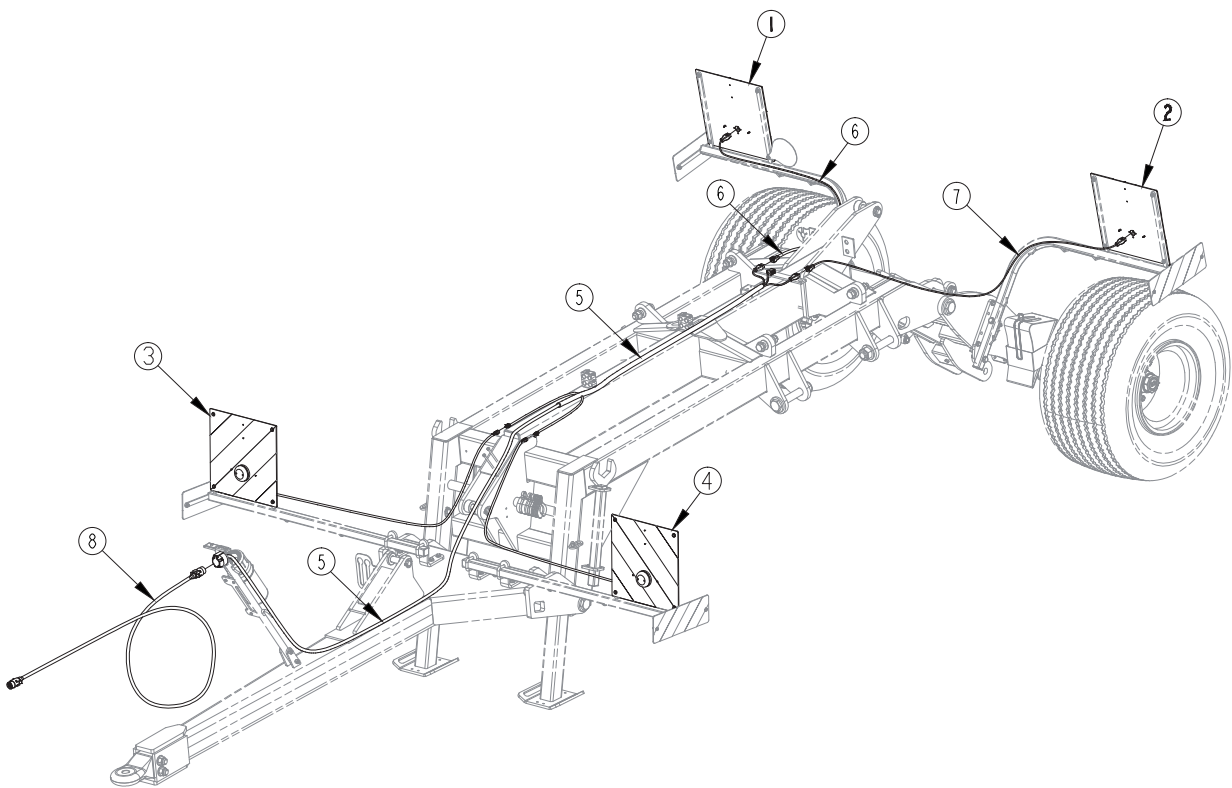


53022

DD700 Scrapers

Item	Part No.	Part Description	Comments
1	601-221V	SCRAPER 1 ASSEMBLY	
2	601-426D	SCRAPER STEM LH	
3	601-427D	SCRAPER PLATE	
4	601-428D	SCRAPER STEM RH	
5	608-109V	SCRAPER ASSEMBLY RH	
6	608-110V	SCRAPER ASSEMBLY LH	
7	608-111V	SCRAPER ASSEMBLY 1 1/12	
8	611-208D	PLATE 8MM	
9	802-977C	HHCS M12X1.75X40 GR8.8	
10	803-282C	NUT HEX M16X2.00 NYLON INSERT	
11	804-159C	WASHER SPRING LOCK M12 PLT	
12	804-246C	WASHER FLAT M12 PLT	
13	804-247C	WASHER FLAT M16 PLT	
14	806-236C	U-BOLT M16-2.00 X 101 X 190	

Wiring Loom

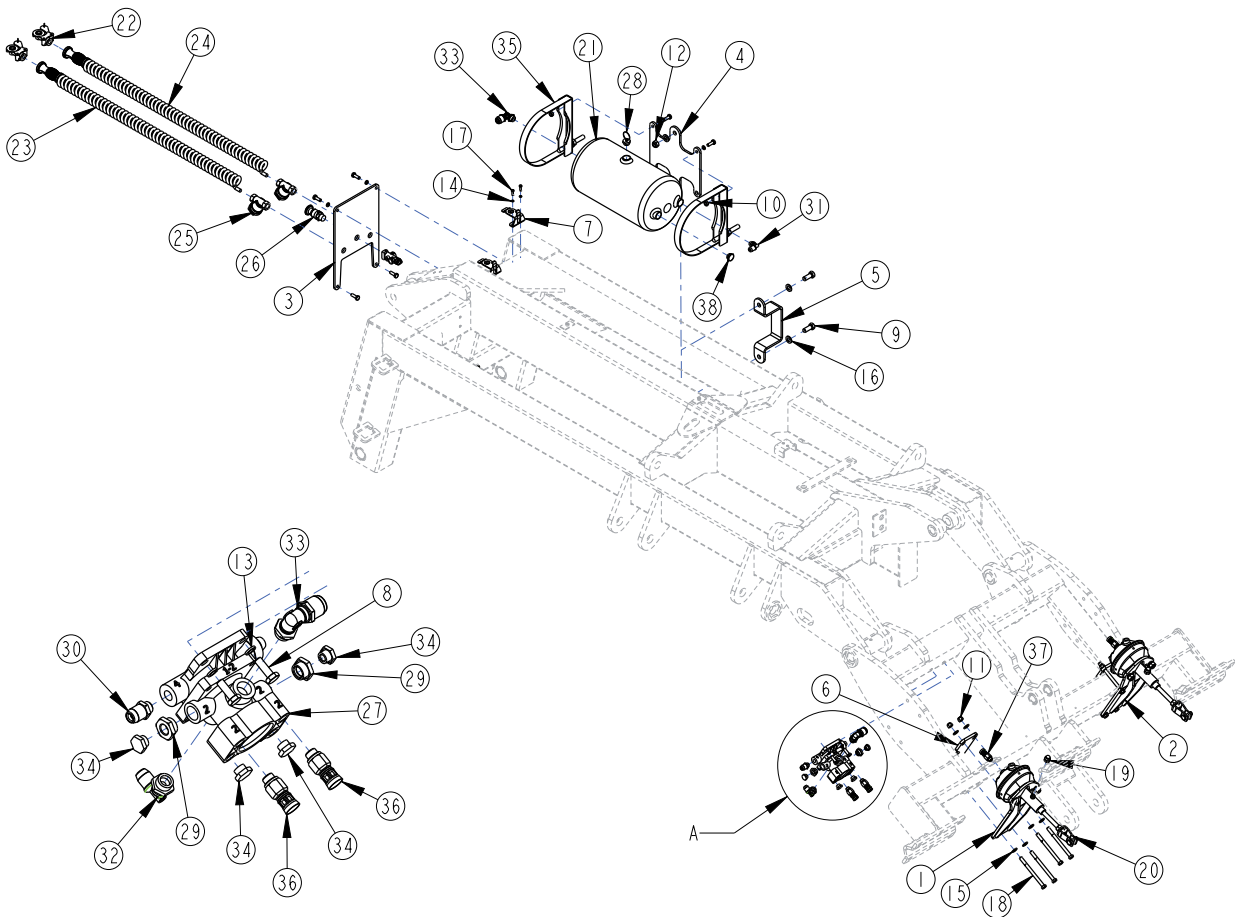


53030

Wiring Loom

Item	Part No.	Part Description	Comments
1	833-608C	LIGHT BOARD RRH	
2	833-609C	LIGHT BOARD RLH	
3	833-610C	LIGHT BOARD FRH	
4	833-611C	LIGHT BOARD FLH	
5	833-725C	TRXP CENTRE HARNESS	
6	833-726C	TRXP RH TAIL LIGHT LOOM	
7	833-727C	TRXP LH TAIL LIGHT LOOM	
8	833-728C	TRXP TRACTOR PLUG LEAD	

Brakes - Air

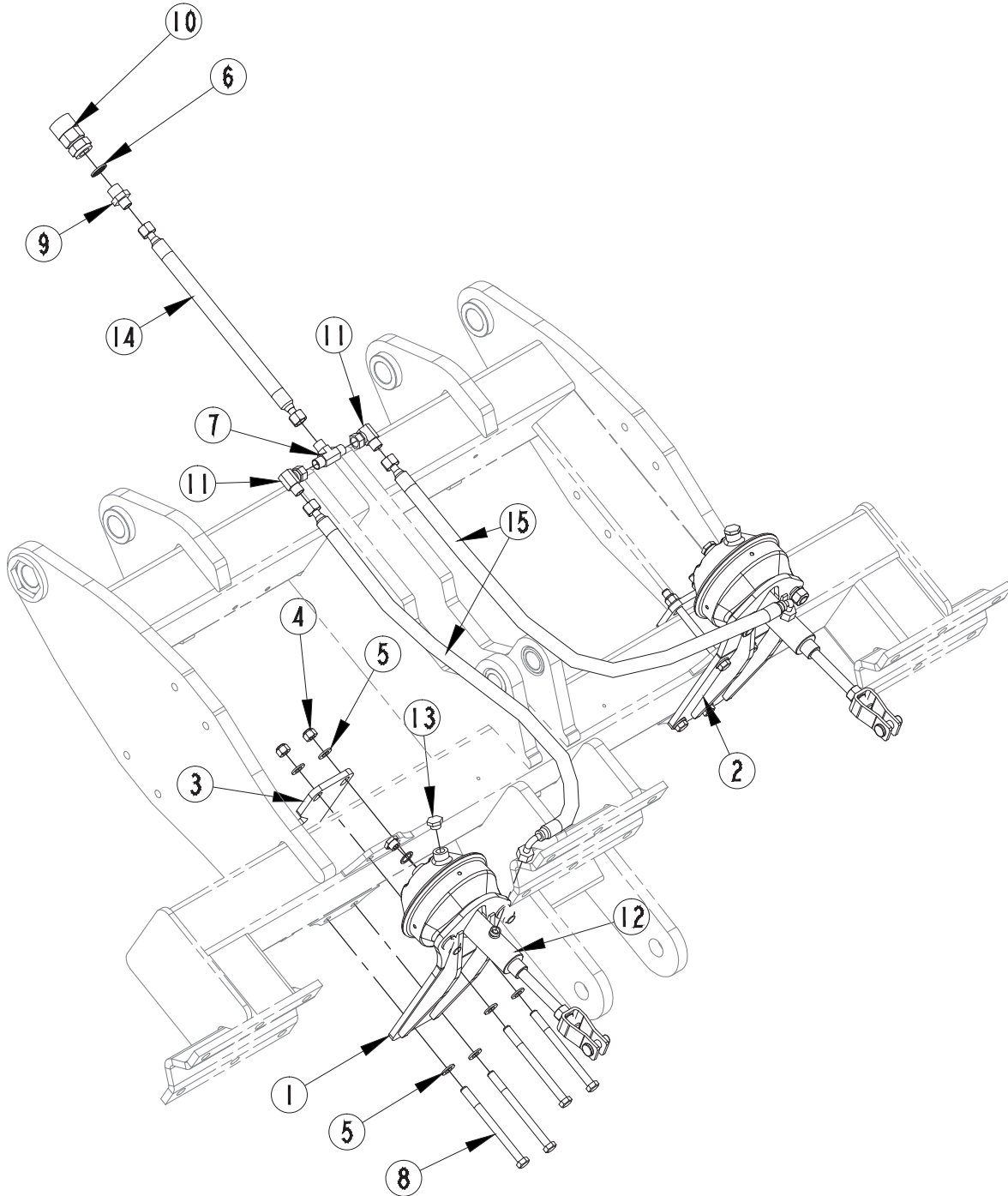


53028

Brakes - Air

Item	Part No.	Part Description	Comments
1	601-093H	CHAMBER MOUNT LH	
2	601-094H	CHAMBER MOUNT RH	
3	601-319D	BULKHEAD	
4	601-354D	PLATE 8MM	
5	601-355D	PLATE 8MM	
6	601-433D	RETAINING PLATE	
7	601-434D	PALM COUPLER STOWAGE	
8	802-609C	HHCS M10X1.5X30 GR8.8	
9	802-703C	HHCS M16X2.0X40 GR8.8	
10	803-279C	NUT HEX M10X1.5 PLT	
11	803-281C	NUT HEX NYLOCK M12X1.75 PLT	
12	803-282C	NUT HEX M16X2.00 NYLON INSERT	
13	804-158C	WASHER SPRING LOCK M10 PLT	
14	804-226C	WASHER LOCK M6 PLT	
15	804-246C	WASHER FLAT M12 PLT	
16	804-247C	WASHER FLAT M16 PLT	
17	842-021C	HHCS M6X1X20 GR8.8	
18	842-171C	HHCS M12X1.75X150 GR8.8	
19	851-079C	CAP 3/8 F BSPP	
20	891-311C	BRAKE CHAMBER	
21	891-312C	AIR TANK - 20L	
22	891-366C	PALM COUPLING	
23	891-368C	AIR COIL	
24	891-369C	AIR COIL	
25	891-370C	LINE FILTER	
26	891-373C	SHUNT VALVE	
27	891-374C	RELAY-EMERGENCY VALVE	
28	891-375C	RESERVOIR DRAIN VALVE	
29	891-377C	M22M X M16F REDUCER	
30	891-378C	STUD COUPLING	
31	891-379C	SWIVEL ELBOW	
32	891-380C	SWIVEL ELBOW	
33	891-381C	SWIVEL ELBOW	
34	891-382C	BLANKING PLUG	
35	891-390C	AIR TANK MOUNTING STRAP	
36	891-435C	AIR HOSE FITTING M16 FIXED	
37	891-436C	AIR HOSE FITTING M16 SWIVEL	
38	891-437C	BLANKING PLUG M22	

Brakes - Hydraulic

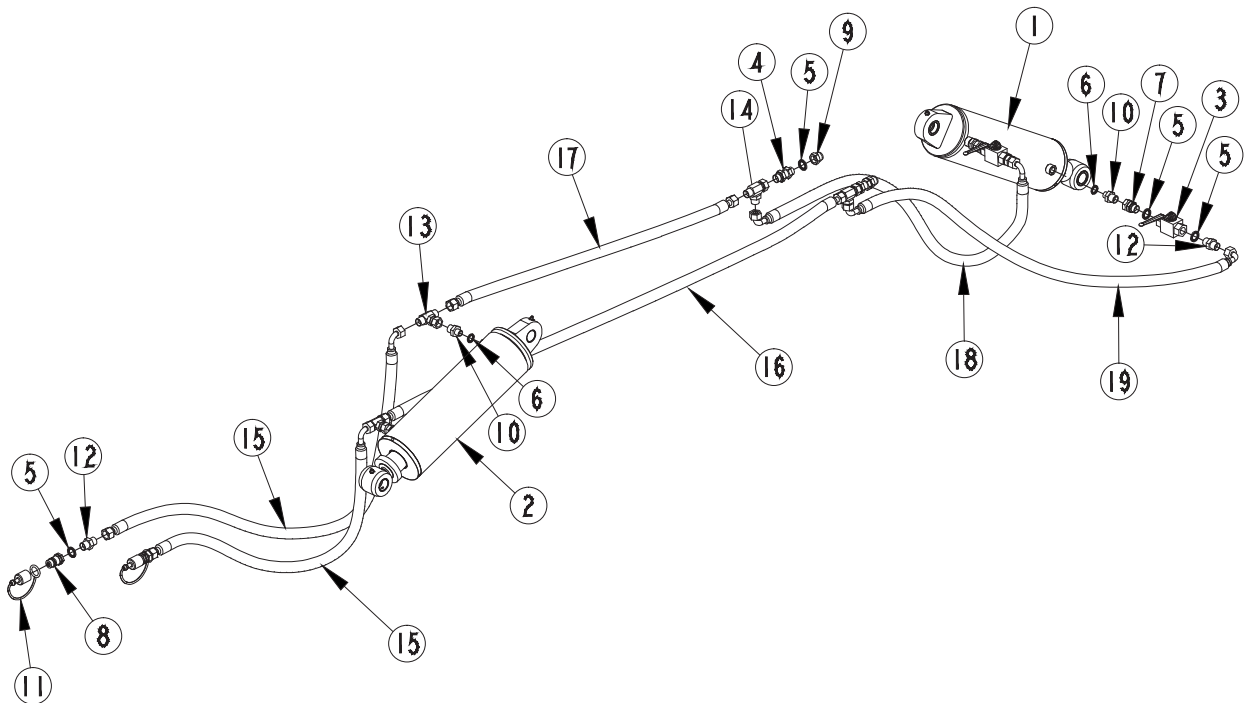


53029

Brakes - Hydraulic

Item	Part No.	Part Description	Comments
1	601-093H	CHAMBER MOUNT LH	
2	601-094H	CHAMBER MOUNT RH	
3	601-433D	RETAINING PLATE	
4	803-281C	NUT HEX NYLOCK M12X1.75 PLT	
5	804-246C	WASHER FLAT M12 PLT	
6	841-792C	WASHER 1/2BSPP BONDED	
7	841-808C	TEE 3/8MBSPP 3/8MBSPP 3/8MBSPP	
8	842-171C	HHCS M12X1.75X150 GR8.8	
9	851-149C	AD 1/2MBSPP 3/8MBSPP	
10	851-155C	QUICK RELEASE FEMALE 1/2BSP	
11	851-223C	CPEL 3/8MBSP 3/8FBSP	
12	891-311C	BRAKE CHAMBER	
13	891-382C	BLANKING PLUG	
14	851-315C	HH3/8R2 7900MM 3/8FBSP3/8FBSP	
15	851-314C	HH3/8R2 1235MM 3/8BSP/3/8BSP90	

Hydraulic Lift Circuit

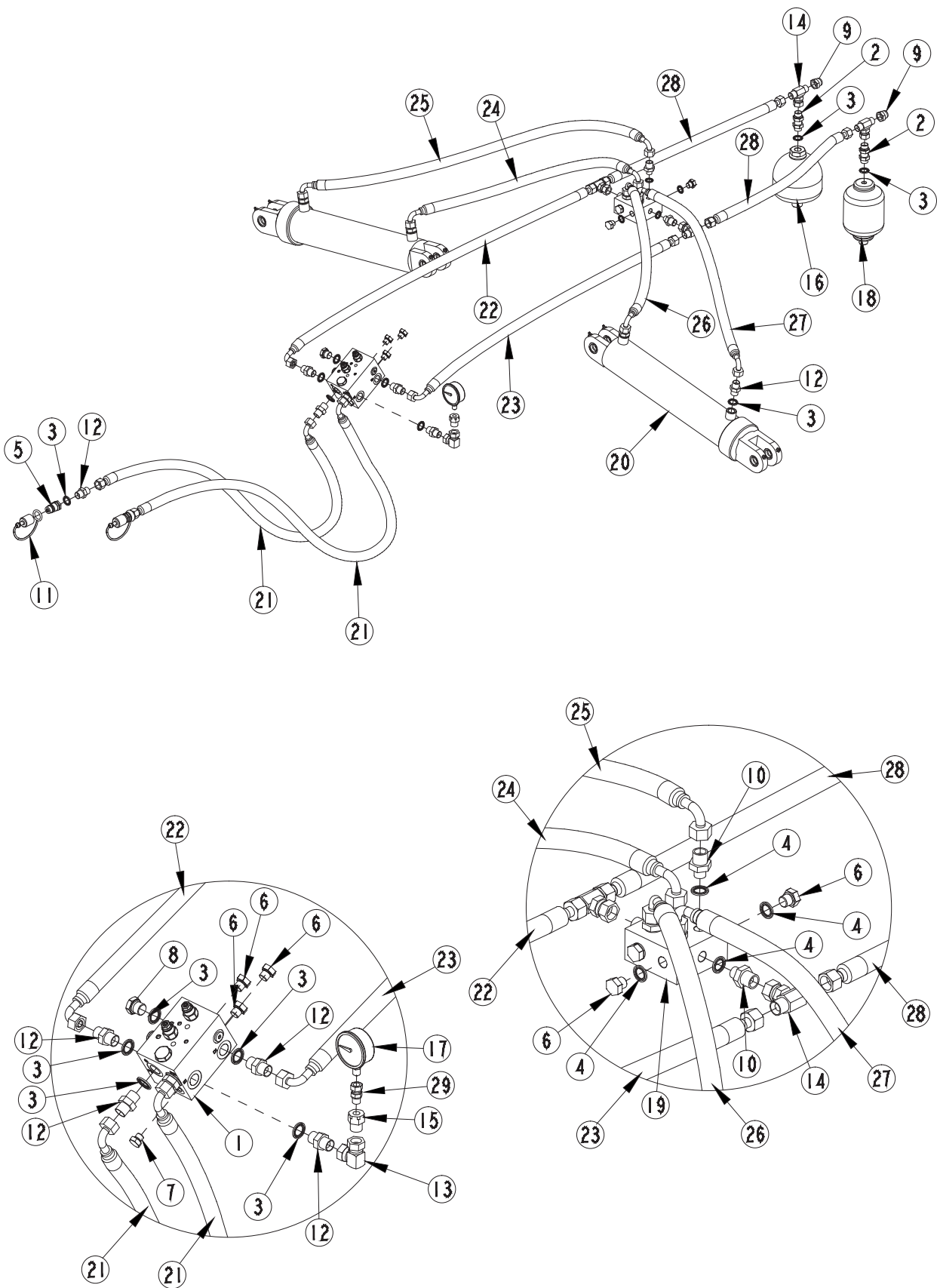


53025

Hydraulic Lift Circuit

Item	Part No.	Part Description	Comments
1	810-764C	CYL 120X310X55 ROD	
2	810-765C	CYL 120X310X55 ROD	
3	810-812C	VLV BALL 1/2FBSP BLOCK	
4	841-787C	AD 1/2MBSPP BLKHD W/LN	
5	841-792C	WASHER 1/2BSPP BONDED	
6	841-793C	WASHER 3/8BSPP BONDED	
7	841-805C	AD 1/2MBSPP 1/2FBSP SWIVEL	
8	841-906C	QUICK RELEASE MALE - 1/2" BSP	
9	851-083C	CAP 1/2 F BSPP	
10	851-149C	AD 1/2MBSPP 3/8MBSPP	
11	851-159C	CAP FOR MALE - RED	
12	851-184C	AD 1/2MBSP 1/2MBSP	
13	851-186C	TE 1/2FBSP 1/2MBSP 1/2MBSP	
14	851-193C	TE 1/2MBSP 1/2MBSP 1/2FBSP	
15	851-316C	HH1/2R2 4850MM 1/2BSP/1/2BSP90	
16	851-321C	HH1/2R2 3350MM 1/2FBSP/1/2FBSP	
17	851-322C	HH1/2R2 3050MM 1/2FBSP/1/2FBSP	
18	851-324C	HH1/2R2 1250MM 1/2BSPF90/90@0°	
19	851-323C	HH1/2R2 850MM 1/2BSPF 90/90@0°	

Hydraulic Fold Circuit (4.6m)

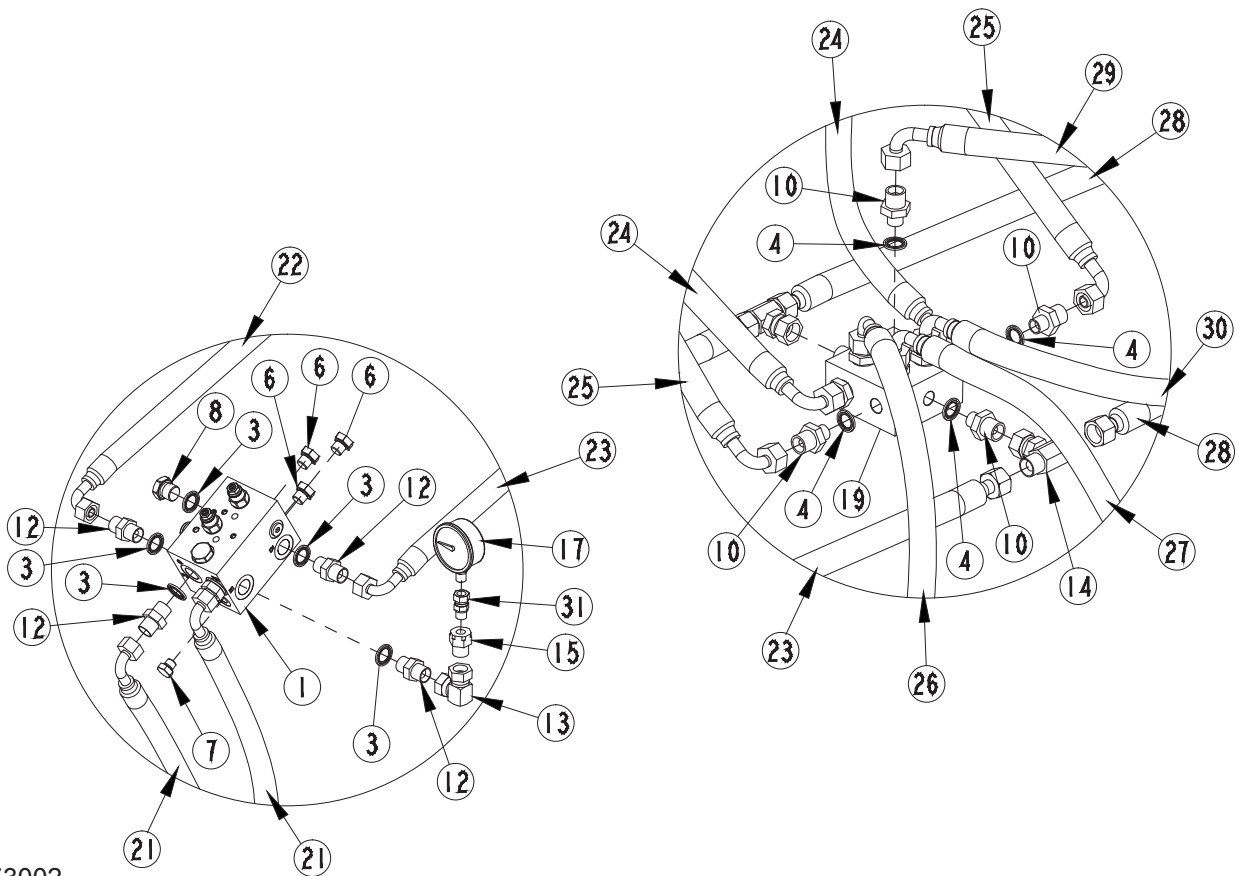
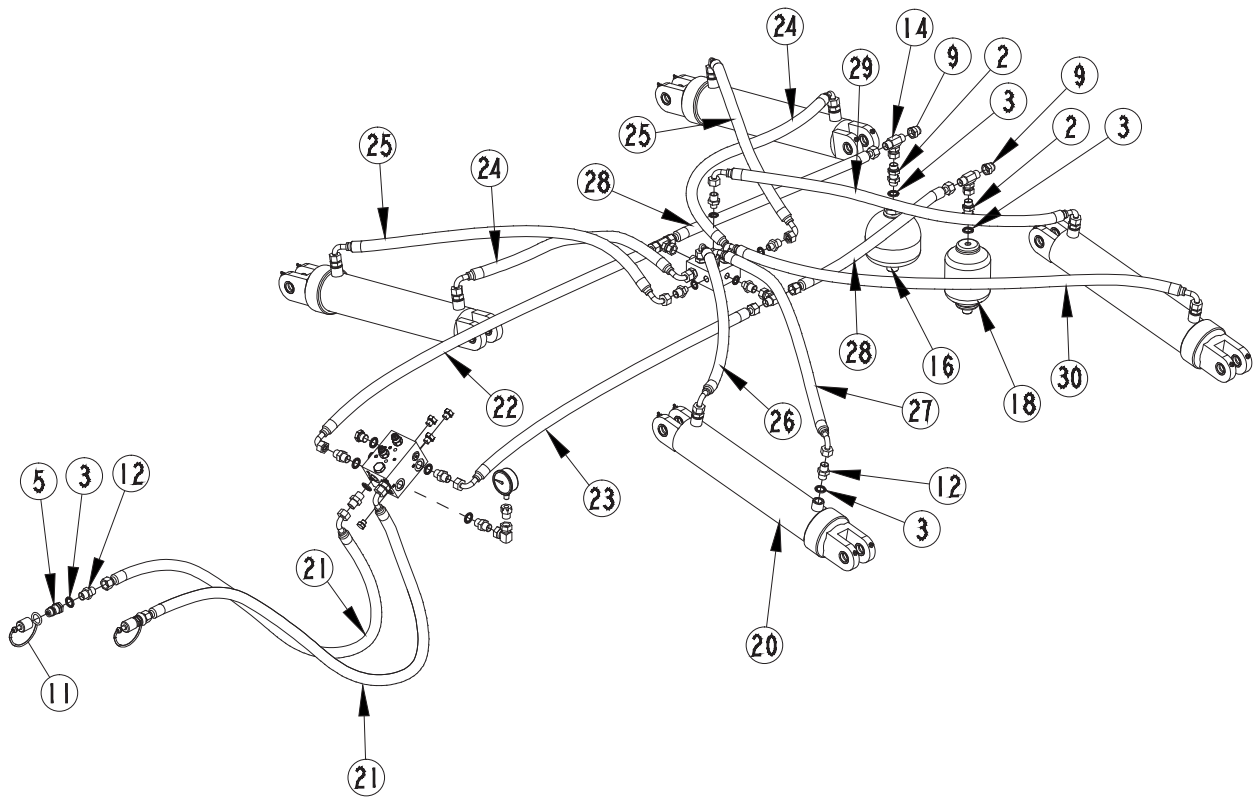


53001

Hydraulic Fold Circuit (4.6m)

Item	Part No.	Part Description	Comments
1	810-814C	MANIFOLD BLOCK	
2	841-787C	AD 1/2MBSPP BLKHD W/LN	
3	841-792C	WASHER 1/2BSPP BONDED	
4	841-793C	WASHER 3/8BSPP BONDED	
5	841-906C	QUICK RELEASE MALE - 1/2" BSP	
6	851-078C	PLUG 3/8 M BSPP	
7	851-080C	PLUG 1/4 M BSPP	
8	851-082C	PLUG 1/4 M BSPP	
9	851-083C	CAP 1/2 F BSPP	
10	851-149C	AD 1/2MBSPP 3/8MBSPP	
11	851-157C	CAP FOR MALE - YELLOW	
12	851-184C	AD 1/2MBSP 1/2MBSP	
13	851-185C	EL 1/2FBSP 1/2FBSP	
14	851-186C	TE 1/2FBSP 1/2MBSP 1/2MBSP	
15	851-187C	GAUGE ADAPTOR 1/4BSP	
16	851-188C	ACC. 1.4L DIAPHRAGM 10B	
17	851-190C	PRESSURE GAUGE 250BAR	
18	851-191C	ACCUMULATOR 0.7L 10BAR	
19	851-192C	CONNECTOR BLOCK 3/8BSP	
20	851-200C	CYLINDER - Ø90X400 - 45	
21	851-316C	HH1/2R2 4850MM 1/2BSP/1/2BSP90	
22	851-317C	HH1/2R2 2050MM 1/2BSP/1/2BSP90	
23	851-318C	HH1/2R2 1950MM 1/2BSP/1/2BSP90	
24	851-325C	HH1/2R2 650MM 1/2BSPF90/90@0°	
25	851-326C	HH1/2R2 1050MM 1/2BSPF90/90@0°	
26	851-327C	HH1/2R2 650MM 1/2BSPF90/90@90°	
27	851-329C	HH1/2R2 1050MM1/2BSPF90/90@90°	
28	851-319C	HH1/2R2 650MM 1/2FBSP/1/2FBSP	
29	851-189C	GAUGE ADAPTOR 1/4FBSP 1/4MBSP	

Hydraulic Fold Circuit (5.5m & 6.6m)



53002

Hydraulic Fold Circuit (5.5m & 6.6m)

Item	Part No.	Part Description	Comments
1	810-814C	MANIFOLD BLOCK	
2	841-787C	AD 1/2MBSPP BLKHD W/LN	
3	841-792C	WASHER 1/2BSPP BONDED	
4	841-793C	WASHER 3/8BSPP BONDED	
5	841-906C	QUICK RELEASE MALE - 1/2" BSP	
6	851-078C	PLUG 3/8 M BSPP	
7	851-080C	PLUG 1/4 M BSPP	
8	851-082C	PLUG 1/4 M BSPP	
9	851-083C	CAP 1/2 F BSPP	
10	851-149C	AD 1/2MBSPP 3/8MBSPP	
11	851-157C	CAP FOR MALE - YELLOW	
12	851-184C	AD 1/2MBSP 1/2MBSP	
13	851-185C	EL 1/2FBSP 1/2FBSP	
14	851-186C	TE 1/2FBSP 1/2MBSP 1/2MBSP	
15	851-187C	GAUGE ADAPTOR 1/4BSP	
16	851-188C	ACCUMULATOR 1.4L DIAPHRAGM 10B	
17	851-190C	PRESSURE GAUGE 250BAR	
18	851-191C	ACCUMULATOR 0.7L 10BAR	
19	851-192C	CONNECTOR BLOCK 3/8BSP	
20	851-200C	CYLINDER - Ø90X400 - 45	
21	851-316C	HH1/2R2 4850MM 1/2BSP/1/2BSP90	
22	851-317C	HH1/2R2 2050MM 1/2BSP/1/2BSP90	
23	851-318C	HH1/2R2 1950MM 1/2BSP/1/2BSP90	
24	851-325C	HH1/2R2 650MM 1/2BSPF90/90@0°	
25	851-326C	HH1/2R2 1050MM 1/2BSPF90/90@0°	
26	851-327C	HH1/2R2 650MM 1/2BSPF90/90@90°	
27	851-329C	HH1/2R2 1050MM1/2BSPF90/90@90°	
28	851-319C	HH1/2R2 650MM 1/2FBSP/1/2FBSP	
29	851-328C	HH1/2R2 650MM1/2BSPF90/90@270°	
30	851-330C	HH1/2R21050MM1/2BSPF90/90@270°	
31	851-189C	GAUGE ADAPTOR 1/4FBSP 1/4MBSP	

Standard Torques & Pressures

BOLT TORQUES

Bolt size	Grade	Torque		
		Kg.M	lb.ft	Nm
M8	8.8	3	21.6	29.5
M10	8.8	5.9	42.6	58
M12	8.8	10	72	98
	10.9			135
	12.9			
M16	8.8	24	174	235
	10.9	34	245	335
	12.9			
M20	8.8	47	340	461
	10.9	71	514	697
	12.9			
M24	8.8	80	579	785
	10.9	110	795	1079
	12.9			
M30	8.8	150	1085	1471.5
	10.9			
	12.9			
M36	8.8	280	2025	2747
	10.9			
M39	8.8			
	10.9			
M45	8.8			
	10.9			
M60	8.8			
	10.9			
3/4" UNF				
1" UNF				
1 3/4" BSW				
5/8" UNC		24	174	235

WHEEL NUT TORQUES

Wheel Nuts	Torque		
	Kg.M	lb.ft	Nm
5/8" BSF	20.7	150	203
M18	27.7	200	272

TYRE PRESSURES

Tyre size	Ply rating	Pressure	
		Psi	Bar
18x19.5	16	70	4.5
10/75-15	10	50	3.5
11.5/80-15	10	60	4
12.5/80-15	10	80	5.5
400/60-15.5	10	50	3.5
15/55-17	10	50	3.5
500/50-15.5	10	42	2.8
500/50-17	10	35	2.4
500/50-17	14	50	3.5
20.0/70-20	12	50	3.5
15.0x22.5	16	70	4.5
15/70-18	10	50	3.5
700/50-22.5	12	35	2.4



Great Plains UK Ltd.	Tel.: +44(0)1529 304654
Woodbridge Road, Sleaford	Fax: +44(0)1529 413468
Lincolnshire, NG34 7EW	E-Mail: simba@greatplainsmfg.com
United Kingdom	Web: www.greatplainsmfg.co.uk